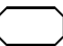
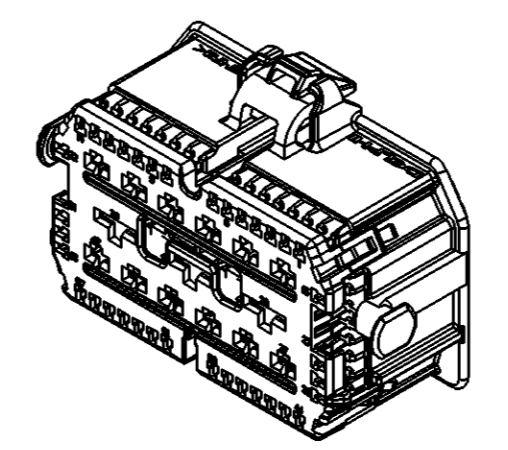
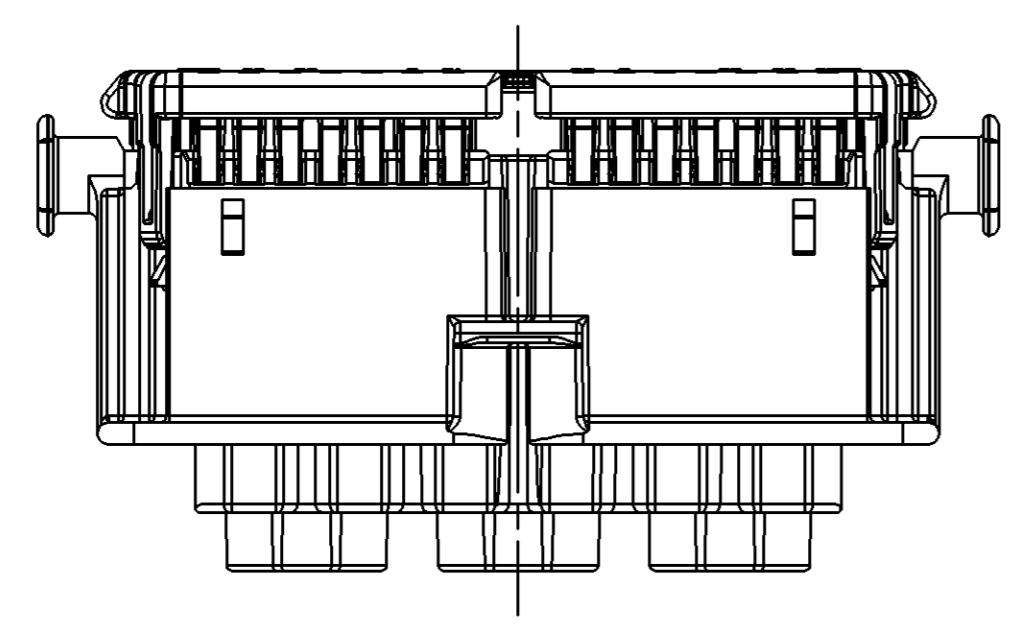
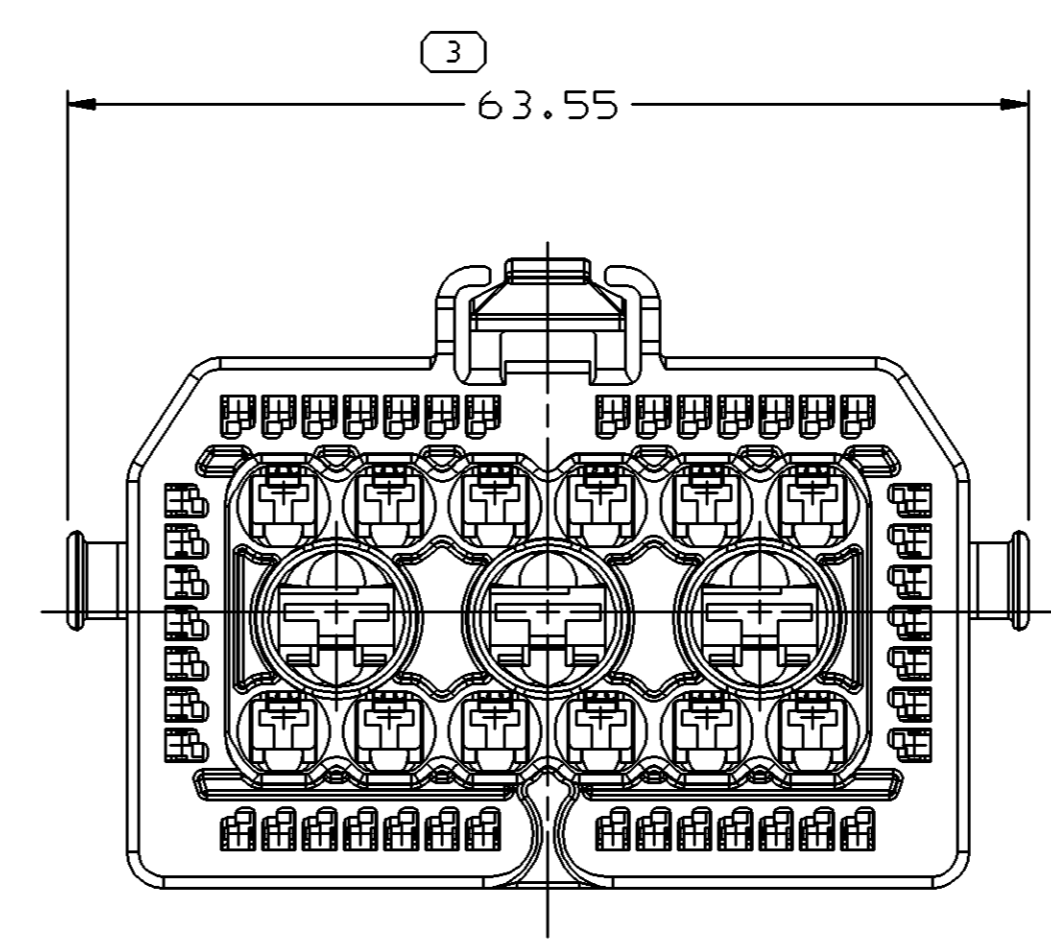
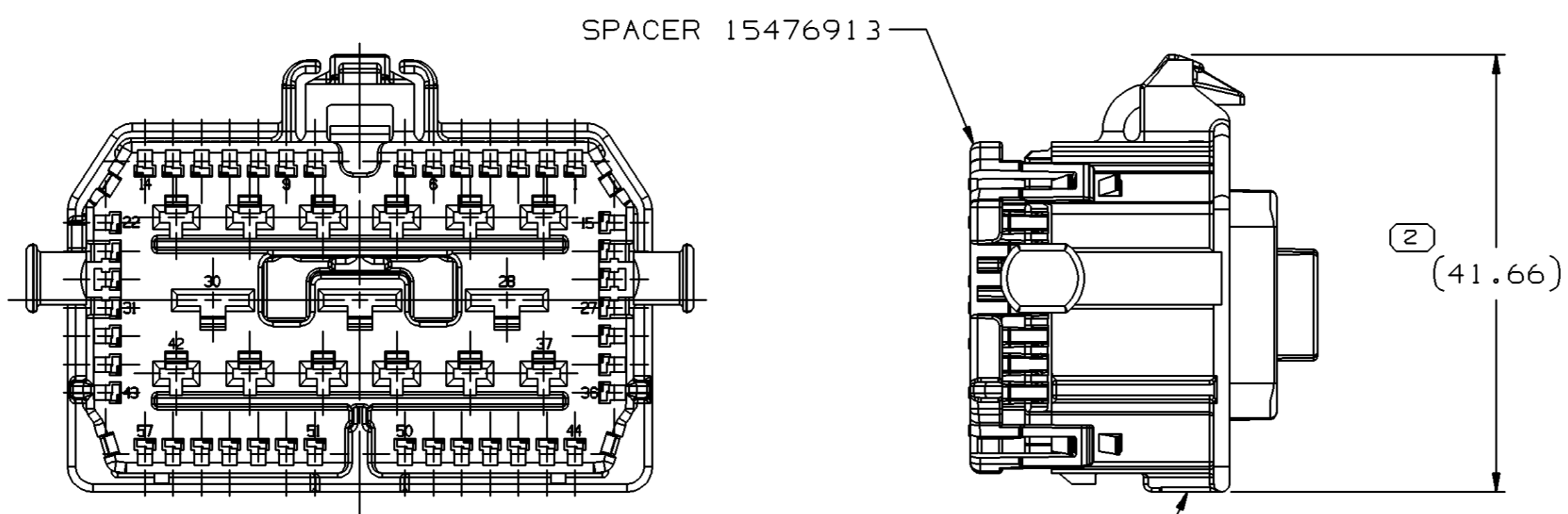
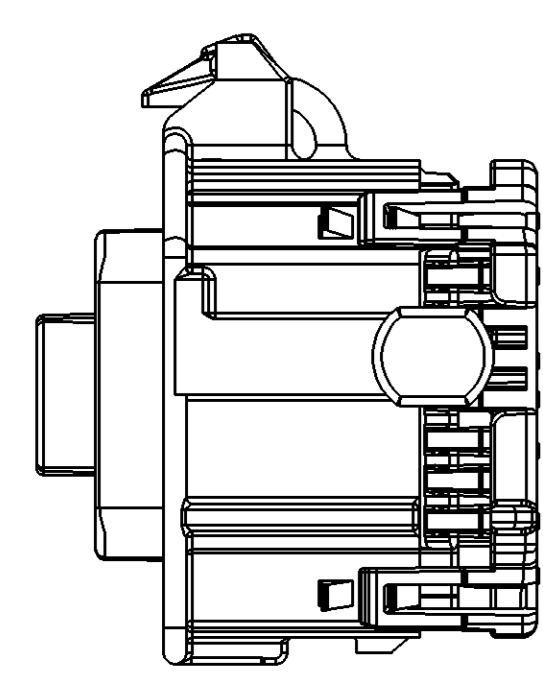
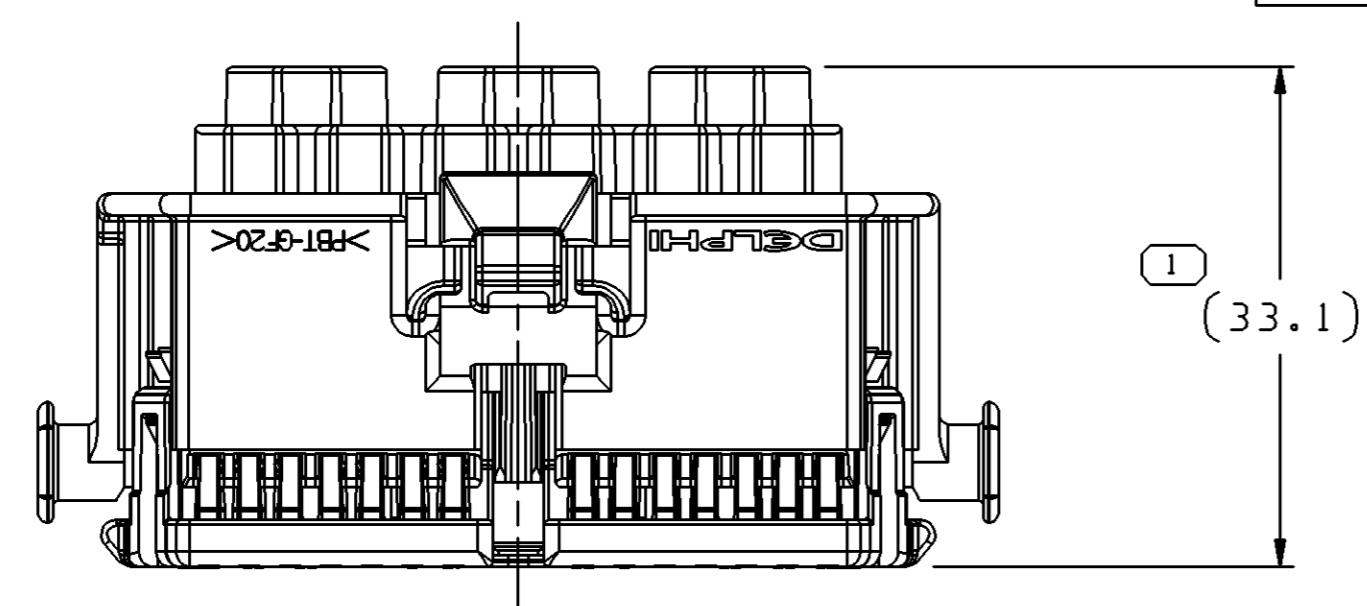


SYMBOL DEFINITION		
A DIMENSION WITHOUT AN INSPECTION REPORT SYMBOL  DOES NOT REQUIRE INSPECTION. IT MAY BE CONTROLLED ON THE INDIVIDUAL COMPONENT DRAWING.	TOTAL NO OF INSPECTIONS REQUIRED	3
	LAST NO. USED	3

MISSING SYMBOLS		DWG STATUS					ZONE	REVISION HISTORY			AUTH	DR	APVD1	APVD2
DATE	STG	REV	N/P	CHG										
17N003	R	01	-	-				RELEASED		247379	ADK	BRB	RAP	
14JA04	R	02	-	-				UPDATED PDM ATTRIBUTES		250506	END	END	RAP	



- NOTES
- UNLESS OTHERWISE SPECIFIED AND/OR INDICATED: DIMENSIONS ARE TO FACE OF VIEW SHOWN AND AUTOMATICALLY ROUNDED BY COMPUTER FOR INSPECTION (SEE MATH MODEL FOR PRECISE DIMENSIONS). FOR ALL OTHER DIMENSIONS NOT SHOWN BUT REQUIRED FOR TOOL BUILD, SEE MATH MODEL FOR PRECISE TOOL PATH DATA.
 - SEALING CODE 0 - UNSEALED
 - MATING COMPONENTS OR EQUIVALENT (OPTIONAL):
RETAINER TBD
ASSEMBLY CONNECTOR 15480636, 15480637 OR 15480638.
 - THIS PART ACCEPTS THE FOLLOWING COMPONENTS OR EQUIVALENT:
CAVITIES 1-15, 22-27, 31-36, 43-57 TO ACCEPT 15405758 (18-20g)
OR 15404982 (22-24g) TERMINAL OR EQUIVALENT.
CAVITIES 16-21, 37-42 TO ACCEPT 15420012 (10-12g) OR 15393847 (14-16g)
OR 15421766 (18-20g) TERMINAL OR EQUIVALENT.
CAVITIES 28-30 TO ACCEPT 15448872 (10g) OR 10725706 (12g) OR 10725707 (14g)
OR 10725741 (16-20g) TERMINAL OR EQUIVALENT.

DIMENSIONAL RANGE (MM)		TOLERANCE UNLESS OTHERWISE SPECIFIED		ANGULAR TOLERANCE ±2°	
FROM	TO				
> 0	> 20	±0.15	±0.2	±0.3	±0.4
> 20	> 30	±0.2	±0.3	±0.4	±0.5
> 30	> 70	±0.3	±0.4	±0.5	±0.6
> 70	> 100	±0.4	±0.5	±0.6	±0.8
> 100	> 150	±0.5	±0.6	±0.8	±1
> 150	> 200	±0.6	±0.8	±1	±1.2
> 200	> 250	±0.8	±1	±1.2	
> 250	> 300	±1	±1.2		
> 300	> 400	±1.2			

DWG TYPE PART DRAWING	
STYLE	
VOLUME (CM³)	DISTR CODE D
ROUTING 6901	
UNLESS OTHERWISE SPECIFIED THIS DOCUMENT IS IN ACCORDANCE WITH ASME Y14.5M-1994 AS AMENDED BY THE GM GLOBAL DIMENSIONING AND TOLERANCING ADDENDUM - 1997. ALL GEOMETRIC TOLERANCES AND RELATED DATUMS APPLY RFS. RULE #1 PERFECT FORM AT MMC DOES NOT APPLY WHEN RELATIONSHIP BETWEEN FEATURES IS ESTABLISHED BY ORIENTATION OR LOCATION TOLERANCES. SEPARATE POSITION CALLOUTS MAY BE GAGED SEPARATELY, REGARDLESS OF DATUM REFERENCE. ALL DIMENSIONS ARE IN MILLIMETERS	
THIRD ANGLE PROJECTION	DO NOT SCALE
USE MATH DATA	UNIGRAPHICS

DELPHI	
DELPHI PACKARD ELECTRIC SYSTEMS WARREN, OH	
DR	DATE
APVD1 ADAM D. KIMBERLIN	17N003
APVD2 B. BURNS	17N003
APVD3 RON PUHL	17N003
APVD4	
APVD5	
SUBSTANCES OF CONCERN AND RECYCLED CONTENT PER DELPHI 10949001	
MATERIAL SEE DRAWING	
DRAWING NAME ASM CONN 57 F MISC	
DRAWING NUMBER 15481063	
SIZE A1	SCALE 2:1
FRAME NO 1 OF 1	SHEET NO 1 OF 1
STG R	REV 02
N/P -	APVD -