

NOTES

1. GENERAL:

- 1.1. ALL PRODUCT SPECIFICATIONS AND THEIR RELATED DOCUMENTS USING THIS FEATURE MUST REFERENCE THIS DOCUMENT AS THE CONTROLLING SPECIFICATION AND USE THE SAME BALLOON NUMBERS.
- 1.2. COMPLIANCY TO THIS DOCUMENT:
 - a) COMPLIANCY MAY BE CLAIMED BY MEETING THE REQUIREMENTS IN THIS SPECIFICATION WITH THE DEVIATION IDENTIFIED AND MAY BE REFERENCED IN OTHER DOCUMENTS (DRAWINGS, DVP&R, ETC.) AS 'CONFORMS TO MOLEX 347350050 REV X.X'.
 - b) PRODUCTS DESIGNED AFTER THE DATE OF RELEASE OF THIS DOCUMENT SHALL BE COMPLIANT TO THE CURRENT REVISION OF THIS DOCUMENT.
 - c) PRODUCTS THAT HAVE MET PREVIOUS REVISION(S) OF THIS DOCUMENT SPECIFICATION SHALL STILL BE CONSIDERED 'MOLEX STANDARDS COMPLIANT' TO THOSE REVISIONS AND DO NOT NEED TO BE RE-VALIDATED.
- 1.3. DEVIATIONS TO THIS DOCUMENT ARE ALLOWABLE UNDER THE FOLLOWING CONDITIONS:
 - a) ALL DEVIATIONS SHALL SHOW EQUAL OR BETTER PERFORMANCE (ELECTRICAL/MECHANICAL) AS REQUIRED BY VALIDATION SPECIFICATION.
 - b) EXCEPTIONS ARE CLEARLY IDENTIFIED ON THE PRODUCT SPECIFICATION.
 - c) ALL DEVIATIONS ARE APPROVED BY THE FOLLOWING INDIVIDUALS:
 - PERSON WHO HAS INTERFACE RESPONSIBILITY
 - PERSON WITH DESIGN STANDARD APPROVER AUTHORITY
 - d) ALL RECORDS OF DEVIATION APPROVALS SHALL BE INCLUDED WITH CHANGE NOTICE DOCUMENTATION.

2. DESIGN - MATERIALS:

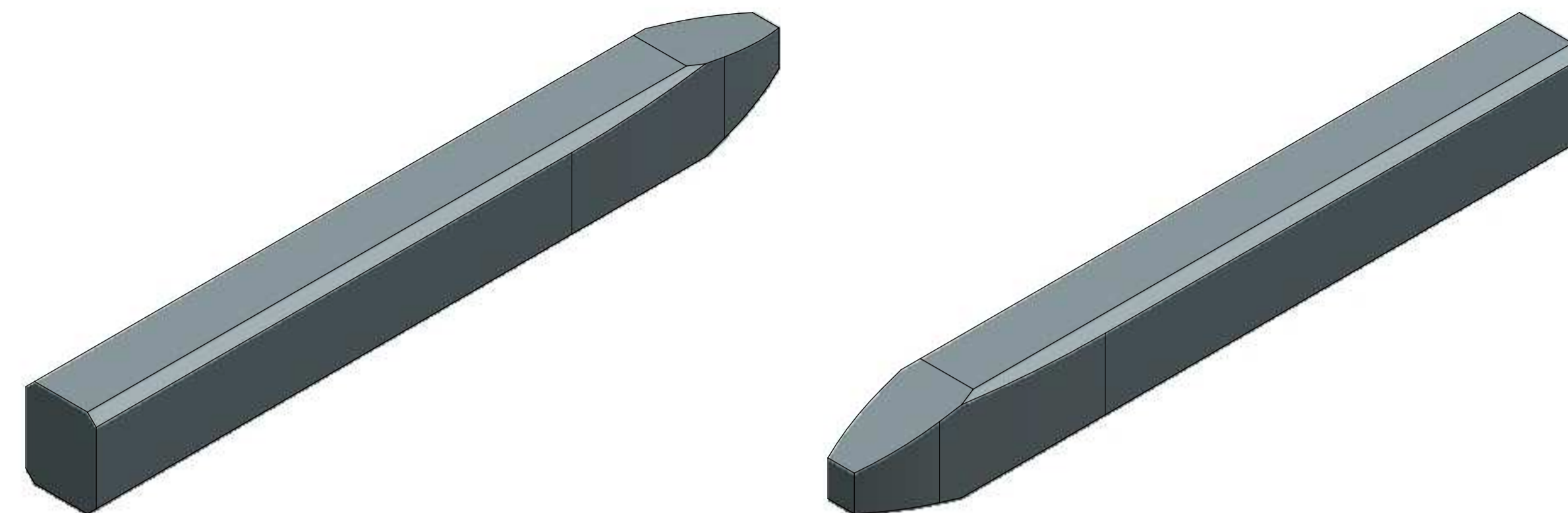
- 2.1. BASE MATERIAL TYPE : COPPER ALLOY

3. DESIGN - GEOMETRY:

- 3.1. THE 3-D CAD DATA IS BASIC (WITHOUT TOLERANCE) AND MASTER FOR THIS PART WITH EXCEPTION TO UNDERLINED DIMENSIONS. DIMENSIONAL INFORMATION NOT SHOWN ON THIS DRAWING IS DEFINED BY THE DATA FILE AT ITS LATEST REVISION.
- 3.2. PRODUCT DESIGN MODEL NUMBER(S): SEE BOM TABLE
- 3.3. GEOMETRIC DIMENSIONS AND TOLERANCES PER ASME Y14.5-2009
- 3.4. EDGES OF UNDEFINED SHAPE PER ISO 13715.
- 3.5. DIMENSIONS AND TOLERANCES APPLY BEFORE AND AFTER PLATING.
- 3.6. GENERAL TOLERANCES: SEE TITLE BLOCK

4. DESIGN - MANUFACTURING:

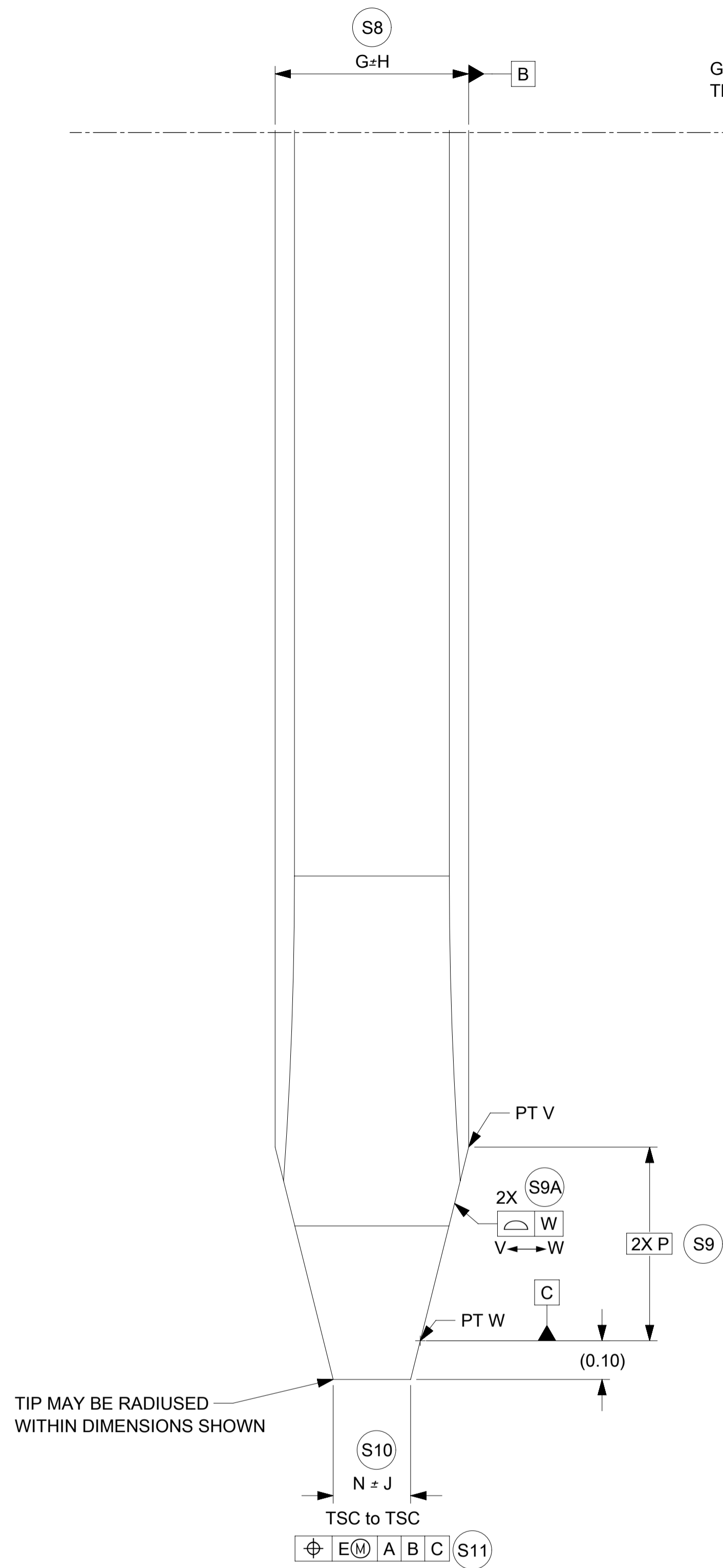
- 4.1. ANY REMAINING PROCESS LUBRICANT MUST NOT VARNISH OR DEGRADE ELECTRICAL PERFORMANCE. PROCESS LUBRICANTS SHOULD BE APPROVED BY THE RESPONSIBLE ENGINEER.
- 4.2. ALLOWABLE BURR: 0.03mm MAX UNLESS OTHERWISE SPECIFIED
- 4.3. FOR UNPLATES BLADES - TOOLING MARKS SPANNING ACROSS OR ALONG THE INTERFACING PROFILE OF THE BLADE SHOULD BE FURTHER INSPECTED. A TOOLING MARK DEEPER THAN 1 MICRON SHOULD NOT BE ACCEPTED.



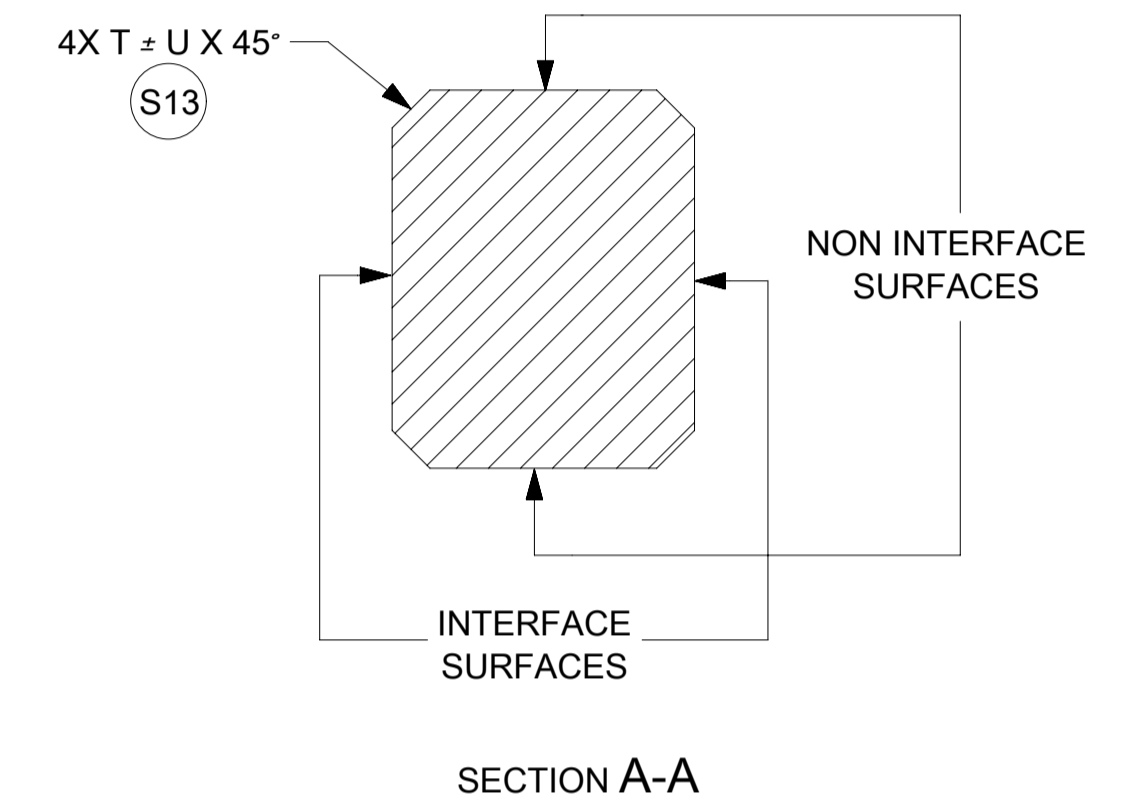
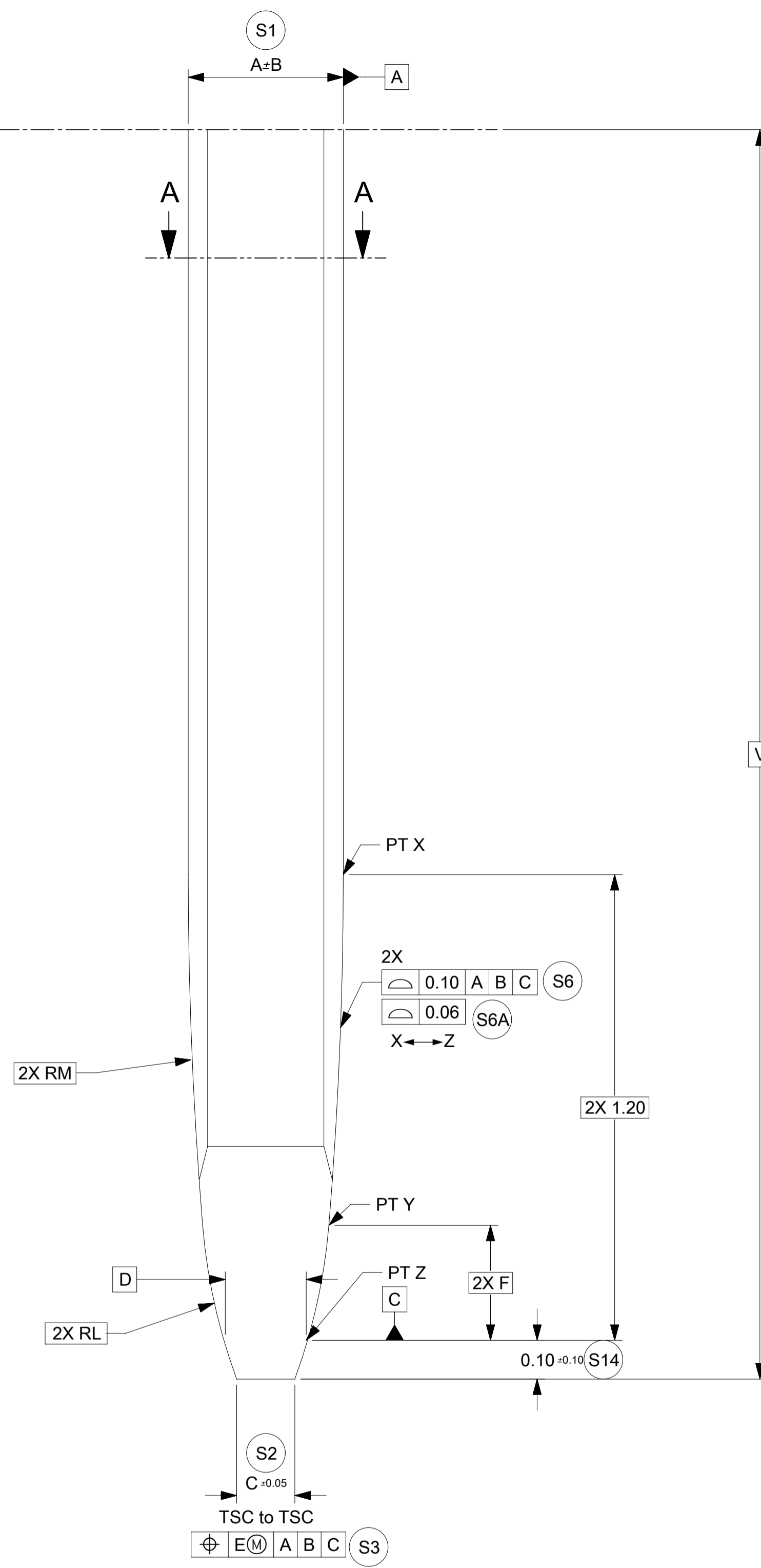
SCALE 50:1

0.5 MM PIN VIEW SHOWN FOR REPRESENTATION PURPOSES ONLY

THIS DRAWING CONTAINS INFORMATION THAT IS PROPRIETARY TO MOLEX ELECTRONIC TECHNOLOGIES, LLC AND SHOULD NOT BE USED WITHOUT WRITTEN PERMISSION											
QUALITY SYMBOLS	EC NO: 638183 DRWN: SIAZRAWI CHKD: YLEPOTTIER REV: APPR: YLEPOTTIER	GENERAL TOLERANCES (UNLESS SPECIFIED)		DIMENSION UNITS	SCALE						
		ANGULAR TOL ± °		mm	50:1						
▽ = 0	A19	4 PLACES ±	DRWN BY	DATE	DESIGN STANDARD HEADER PIN & BLADE TIP GEOMETRY FOR MATING TO HARNESS TERMINALS						
▽ = 0		3 PLACES ± 0.015	SIAZRAWI	2016/08/16							
▽ = 0		2 PLACES ± 0.05	CHK'D BY	DATE	PRODUCT CUSTOMER DRAWING						
▽ = 0		1 PLACE ± 0.1	YLEPOTTIER	2016/09/27							
▽ = 0		0 PLACES ±	APPR BY	DATE	SERIES	MATERIAL NUMBER	CUSTOMER				
▽ = 0		DRAFT WHERE APPLICABLE MUST REMAIN WITHIN DIMENSIONS	DRAWING SIZE	THIRD ANGLE PROJECTION	34735						
▽ = 0		A1		DOCUMENT NUMBER	DOC TYPE	DOC PART	SHEET NUMBER				
				347350050	PSD	000	1 OF 2				



GEOMETRY & PLATING ABOVE THE LINE IS NOT CONTROLLED BY THIS DOCUMENT



SCALE 100:1

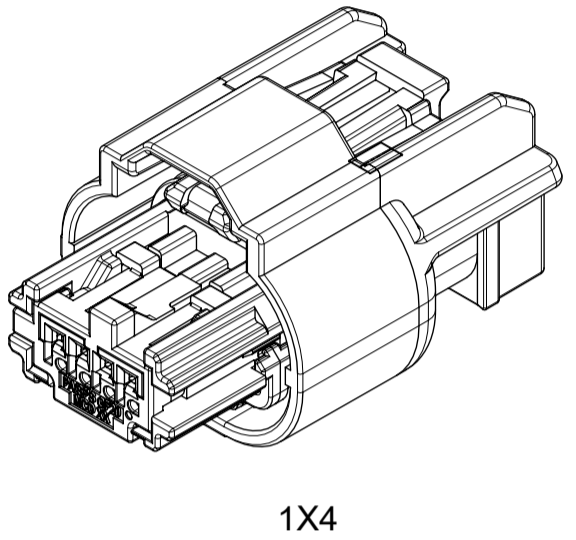
TABLE 1		DRAWING DIMENSIONS																
Model NO.	Description	A	B	C	D	E	F	G	H	J	L	M	N	P	T	U	V	W
34735-0004	0.50mm BLADE	0.40	0.015	0.15	0.216	0.05	0.296	0.50	0.03	0.05	1.5	11	0.20	0.50	0.05	0.03	4.0 MIN	0.08
34735-0001	0.64mm BLADE - NORMAL THICKNESS	0.64	0.03	0.25	0.356	0.10	0.285	0.64	0.03	0.05	1	7	0.25	0.55	0.05	0.03	5.5 MIN	0.08
34735-0002	0.64mm BLADE - REDUCED THICKNESS	0.625	0.015	0.234	0.341	0.10	0.285	0.64	0.03	0.05	1	7	0.25	0.55	0.05	0.03	5.5 MIN	0.08
34735-0006	1.20mm BLADE - HEADER	0.60	0.015	0.21	0.316	0.10	0.285	1.00	0.05	0.05	1	7	0.59	0.55	0.05	0.03	5.5 MIN	0.13
34735-0006	1.20mm BLADE - INLINE	0.60	0.015	0.21	0.316	0.10	0.285	1.20	0.05	0.05	1	7	0.59	0.55	0.05	0.03	5.5 MIN	0.13
34735-0003	1.50mm BLADE	0.80	0.03	0.25	0.321	0.10	1.10	1.50	0.05	0.10	4.775	1.083	0.5	1.68	0.05	0.03	5.0 MIN	0.13
34735-0010	2.8mm BLADE - HEADER	0.80	0.025	0.20	0.345	0.10	0.314	2.50	0.10	0.10	1	4	1.80	1.10	0.05	0.03	9.5 MIN	0.25
34735-0011	6.3mm BLADE - HEADER	0.80	0.025	0.20	0.345	0.10	0.314	6.0	0.25	0.20	1	4	3.90	1.10	0.05	0.03	10.5 MIN	0.13

THIS DRAWING CONTAINS INFORMATION THAT IS PROPRIETARY TO MOLEX ELECTRONIC TECHNOLOGIES, LLC AND SHOULD NOT BE USED WITHOUT WRITTEN PERMISSION

QUALITY SYMBOLS F = 0 F = 0 F = 0 F = 0 C = 0 C = 0 X = 0 X = 0 V = 0	EC NO: 638183 DRWN: SJAZRAWI CHKD: YLEPOTTIER APPR: YLEPOTTIER	2020/05/20 2020/05/23 2020/05/23	GENERAL TOLERANCES (UNLESS SPECIFIED) ANGULAR TOL ± ° 4 PLACES ± 3 PLACES ± 0.015 2 PLACES ± 0.05 1 PLACE ± 0.1 0 PLACES ± DRAFT WHERE APPLICABLE MUST REMAIN WITHIN DIMENSIONS	DIMENSION UNITS: mm SCALE: 100:1 DRWN BY: SJAZRAWI DATE: 2016/08/16 CHK'D BY: YLEPOTTIER DATE: 2016/09/27 APPR BY: YLEPOTTIER DATE: 2016/09/27 DRAWING SIZE: A1 THIRD ANGLE PROJECTION	
	DESIGN STANDARD HEADER PIN & BLADE TIP GEOMETRY FOR MATING TO HARNESS TERMINALS			PRODUCT CUSTOMER DRAWING	
	SERIES: 34735 MATERIAL NUMBER: 347350050 CUSTOMER:		DOCUMENT NUMBER: 347350050 DOC TYPE: PSD DOC PART: 000 SHEET NUMBER: 2 OF 2		
	RELEASE STATUS: P1 RELEASE DATE: 2020/05/23 03:21:07				

TABLE OF CONTENTS	
SHEET NO.	SHEET DESCRIPTION
1	NOTES AND BOM
2	CONFIGURATIONS
3	RECEPTACLE CONNECTOR ASSEMBLY

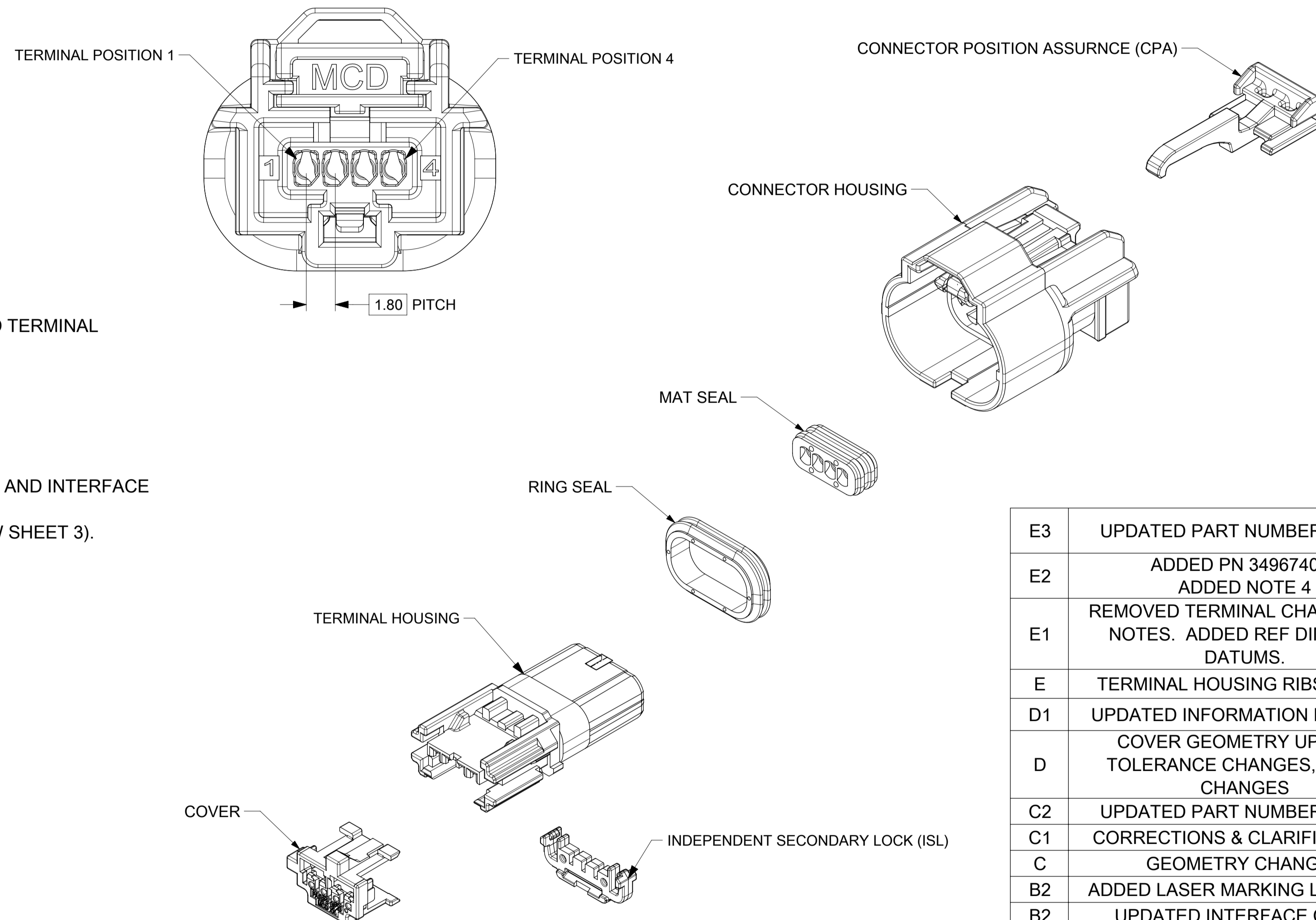
PART NUMBER AND MATING INTERFACE CHART						
PART NUMBER	KEY	COVER COLOR	TERMINAL POSITIONS PLUGGED	CPA INCLUDED	INTERFACE PART NUMBER	
349674001	A	BLACK	NONE	YES	349684801	
349674002	B	LIGHT GRAY	NONE	YES	349684802	
349674003	C	DARK GRAY	NONE	YES	349684803	
349674004	D	STONE GRAY	NONE	YES	349684804	
349674021	A	BLACK	2	YES	349684801	
349674005	A	BLACK	NONE	NO	349684801	
349674006	B	LIGHT GRAY	NONE	NO	349684802	
349674007	C	DARK GRAY	NONE	NO	349684803	
349674008	D	STONE GRAY	NONE	NO	349684804	
349674025	A	BLACK	2	NO	349684801	
349674051	A	BLACK	1, 2	YES	349684801	



1X4

NOTES: VALID UNLESS OTHERWISE SPECIFIED

- GENERAL:
 - APPLICATION SPECIFICATION SEE: AS-34894-0001
-CONTAINS: PRODUCT INTRODUCTION, PRODUCT SUMMARY, CONNECTOR ASSEMBLY, PACKAGING INFORMATION, CONNECTOR MATING, SERVICE INSTRUCTIONS, ELECTRICAL CONTINUITY CHECKING, CRIMPING, AND TROUBLESHOOTING.
 - TERMINALS TO BE USED WITH THIS ASSEMBLY:
MOLEX CTX50 SEALED RECEPTACLE TERMINALS FOR INFORMATION ON TERMINALS SEE MOLEX DRAWING 349050400 AND TERMINAL PRODUCT SPECIFICATION PS-34905-001.
 - CONNECTOR PRODUCT SPECIFICATION SEE 349670001 PS
CONTAINS: PRODUCT INTRODUCTION, PRODUCT SUMMARY, RATINGS AND PRODUCT VALIDATION.
VALIDATED TO USCAR 2 REV 6.
RATINGS: T3 V1 S2
 - DESIGNED TO MATE WITH DEVICE INTERFACE AS SPECIFIED IN PART NUMBER AND INTERFACE CHART. SEE MOLEX DRAWING 349684800 FOR INTERFACE SPECIFICATION.
 - ASSEMBLY SHIPPED WITH ISL IN PRE-LOCK POSITION (SEE ISL PRE-LOCK VIEW SHEET 3).
 - PACKAGING SPECIFICATION PER MOLEX DRAWING: PK-31301-898
 - PARTS MUST BE IN COMPLIANCE TO MOLEX CHEMICAL SUBSTANCES FOR PRODUCTS AND PACKAGING SPECIFICATION: ES-40000-5016
 - DATA MUST BE SUBMITTED UNDER THE MOLEX PART NUMBER TO IMDS (COMPANY ID#13255)
- DESIGN - MATERIALS:
 - CONNECTOR HOUSING: SPS/NYLON GF20 BLACK
 - TERMINAL HOUSING: SPS/NYLON GF20 BLACK
 - COVER: SPS/NYLON GF20 COLORS IN PART NUMBER CHART
 - ISL: SPS GF30 NATURAL
 - MAT SEAL: INHERENTLY LUBRICATED SILICONE LIGHT BLUE
 - RING SEAL: INHERENTLY LUBRICATED SILICONE RUST RED
 - CPA (OPTIONAL): PBT GF30 RED
- DESIGN - GEOMETRY:
 - ALL GRAPHIC DATA IS BASIC (NO TOLERANCE) AND MUST BE TAKEN FROM THE DATA FILE AT ITS LATEST REVISION.
 - GEOMETRIC DIMENSIONS AND TOLERANCES PER ASME Y14.5M-2009
 - EDGES AND UNDIMENSIONED DETAILS PER ISO13715
 - CORNERS SHOWN AS SHARP TO BE R 0.2 MAX.
 - LETTERING SHALL BE 0.15 MAX RAISED IN 0.25 MAX RECESS PAD.
THIS INCLUDES RECYCLING CODE, CAVITY ID, VENDOR IDENTIFICATION, AND CUSTOMER MATERIAL NUMBER.
 - VISUAL DEFECTS SHALL MEET COSMETIC STANDARD PS-45499-002 (Class B).
 - PARTS ARE LASER MARKED WITH PART NUMBER AND DATE CODE
 - FOR HAND CLEARANCES REQUIRED FOR MATING THE CONNECTOR, REFER TO USCAR 25-3 SECTION 8/8.2 FOR HAND PLUG CONNECTORS.



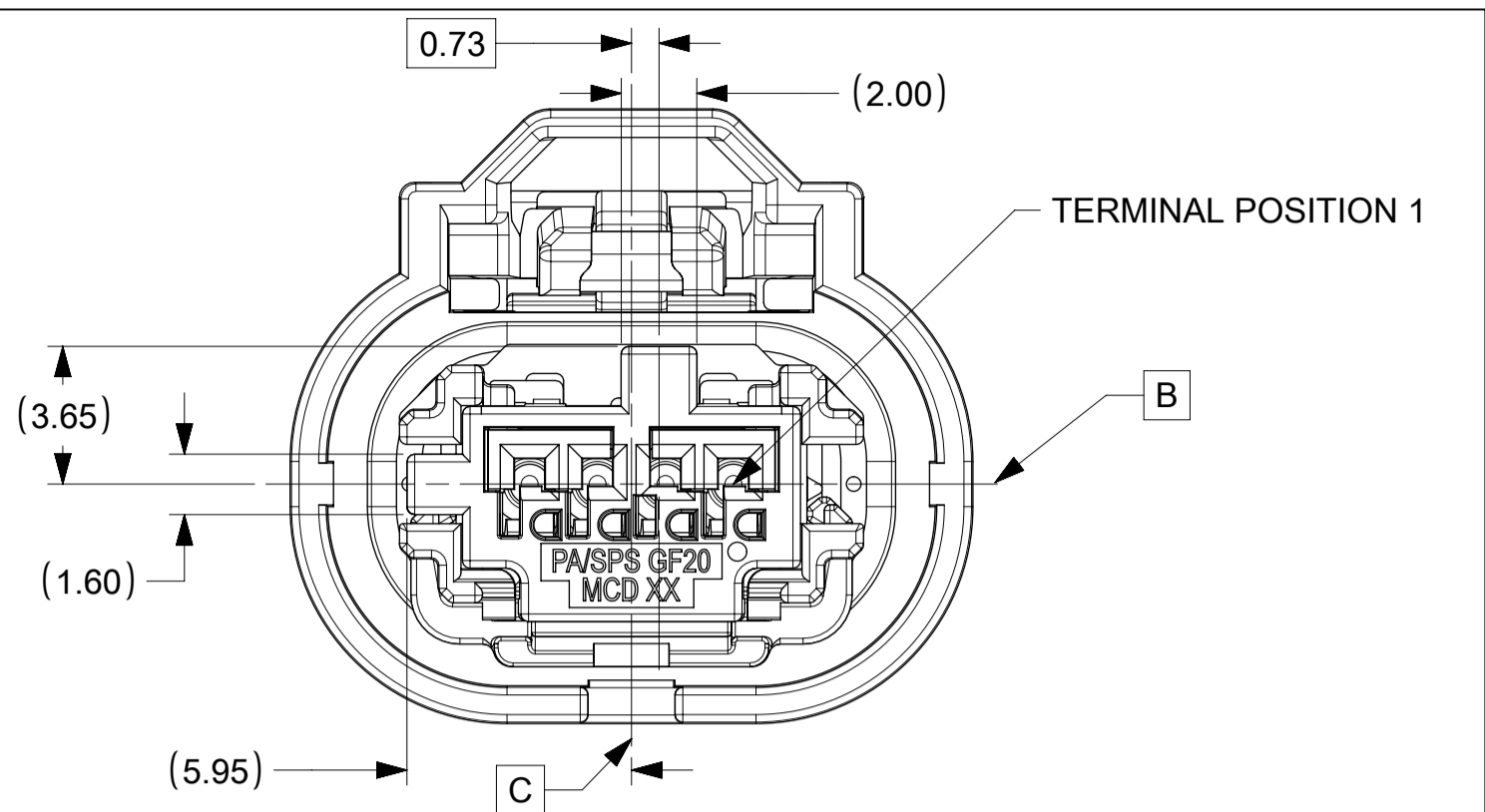
E3	UPDATED PART NUMBER CHART
E2	ADDED PN 349674051 ADDED NOTE 4
E1	REMOVED TERMINAL CHART FROM NOTES. ADDED REF DIM TO ID DATUMS.
E	TERMINAL HOUSING RIBS ADDED
D1	UPDATED INFORMATION IN NOTES
D	COVER GEOMETRY UPDATE, TOLERANCE CHANGES, NOTES CHANGES
C2	UPDATED PART NUMBER CHART
C1	CORRECTIONS & CLARIFICATIONS
C	GEOMETRY CHANGES
B2	ADDED LASER MARKING LOCATION
B1	UPDATED INTERFACE CHART
B	COMPONENT MODEL UPDATE
A1	UPDATED VIEWS & INTERFACE CHART
A	MINOR UPDATES
1	INITIAL RELEASE
REV	REV DESCRIPTION

INSPECTION NUMBER LOG	
LAST NUMBER:	15
ADDED:	2,4,7,8,9,13,14

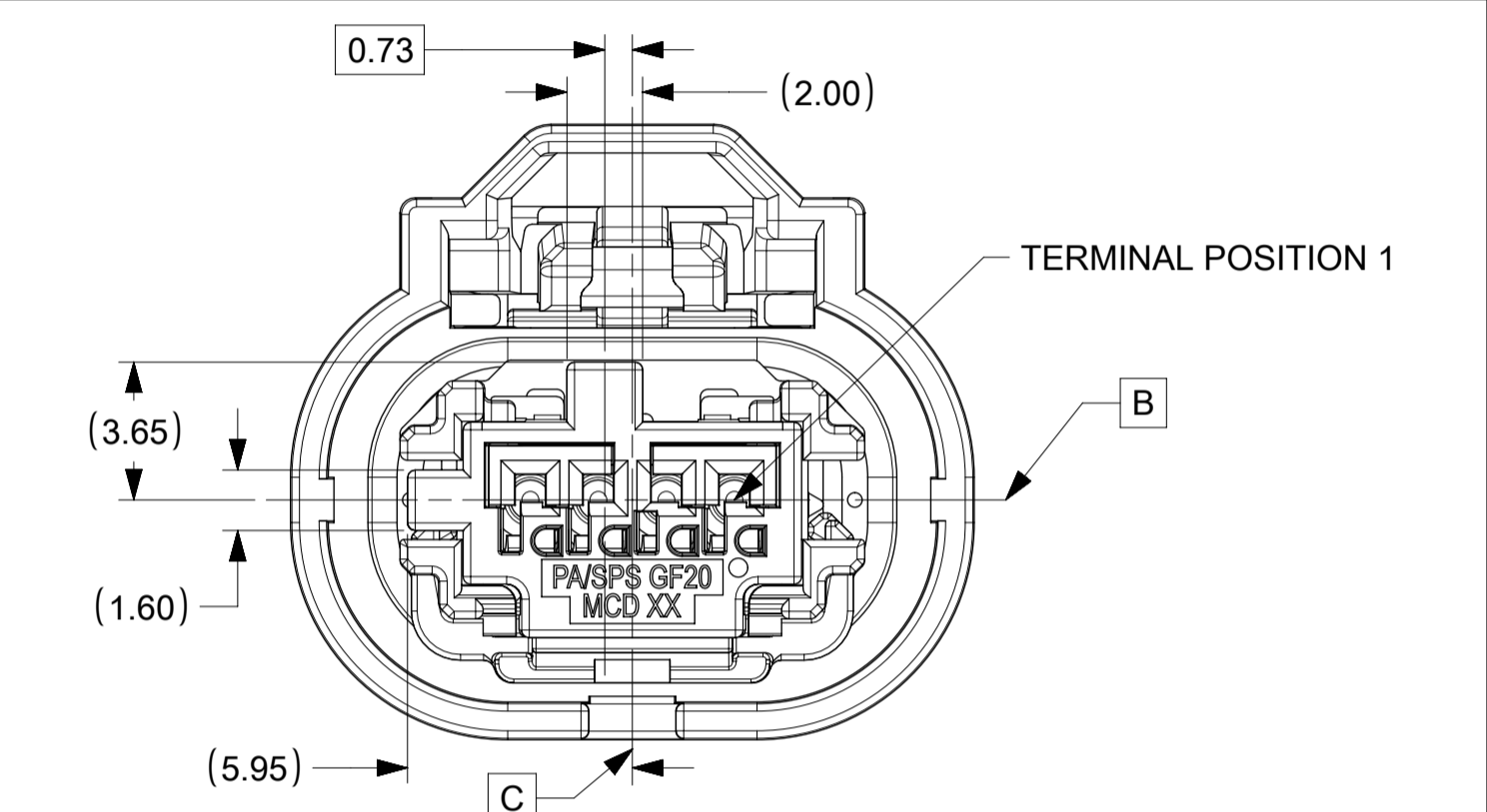
FUNCTIONAL SYMBOLS $\frac{E}{A} = 0$ $\frac{E}{C} = 0$ $\frac{E}{P} = 0$	DIMENSION UNITS: mm SCALE: 1:1 GENERAL TOLERANCES (UNLESS SPECIFIED) ANGULAR TOL: $\pm 3.0^\circ$	CURRENT REV DESC: UPDATED PART NUMBER CHART EC NO: 656180 DRWN: MLI149 CHK'D: JCONDON APPR: JCONDON					
	DIVISIONAL SYMBOLS 4 PLACES: \pm 3 PLACES: \pm 2 PLACES: ± 0.1 1 PLACE: ± 0.2 0 PLACES: \pm	INITIAL REVISION: DRWN: MNS02 APPR: KDEKOSKI				2021/02/19 2021/02/22 2021/02/22	PRODUCT CUSTOMER DRAWING DOCUMENT NUMBER: 349674000 DOC TYPE: PSD DOC PART: 000 REVISION: E3
DRAFT WHERE APPLICABLE MUST REMAIN WITHIN DIMENSIONS		THIRD ANGLE PROJECTION	DRAWING: A1-SIZE	SERIES: 34967	MATERIAL NUMBER: SEE CHART	CUSTOMER:	SHEET NUMBER: 1 OF 3

SHEET DESCRIPTION

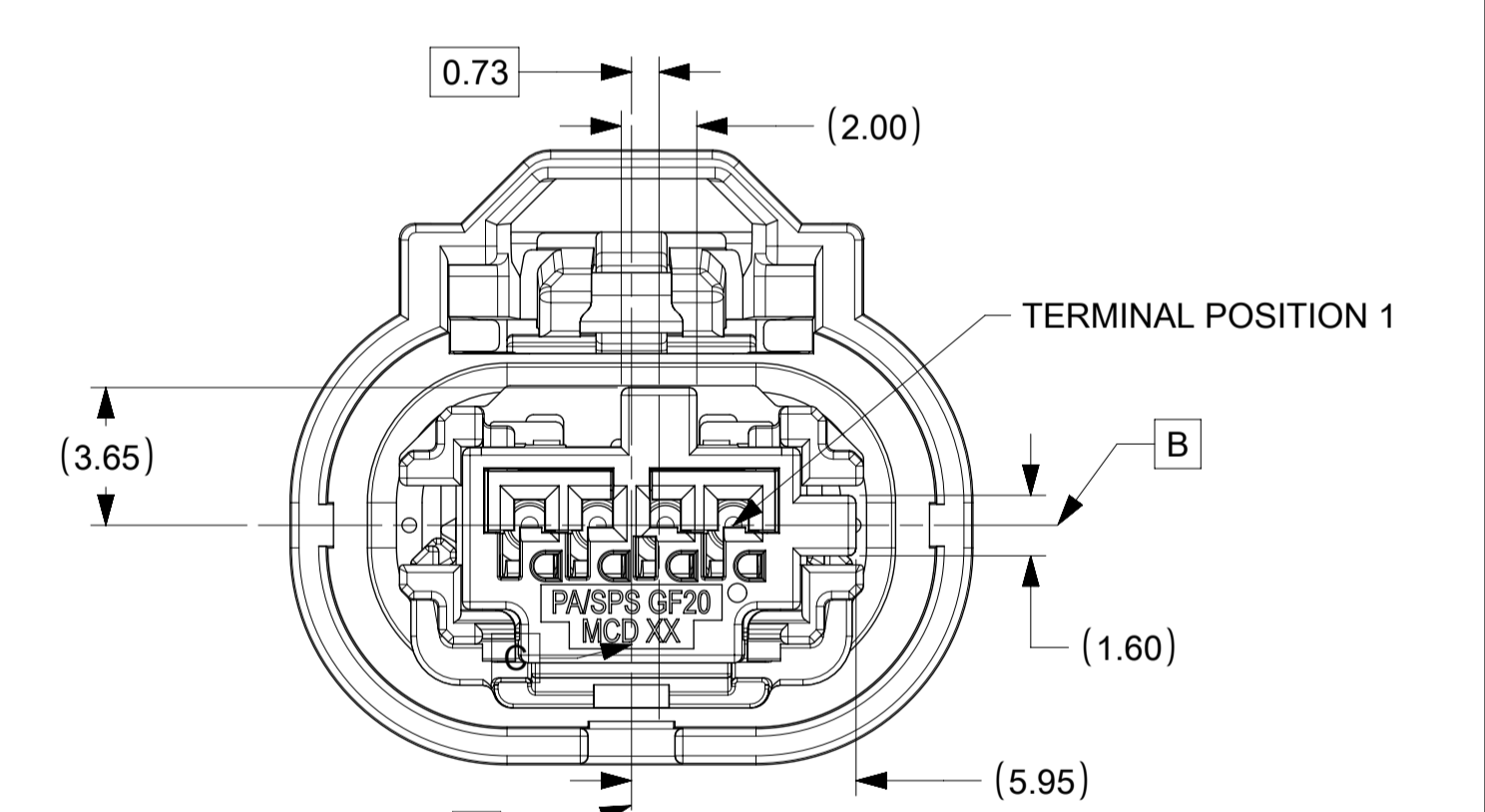
KEY CONFIGURATIONS



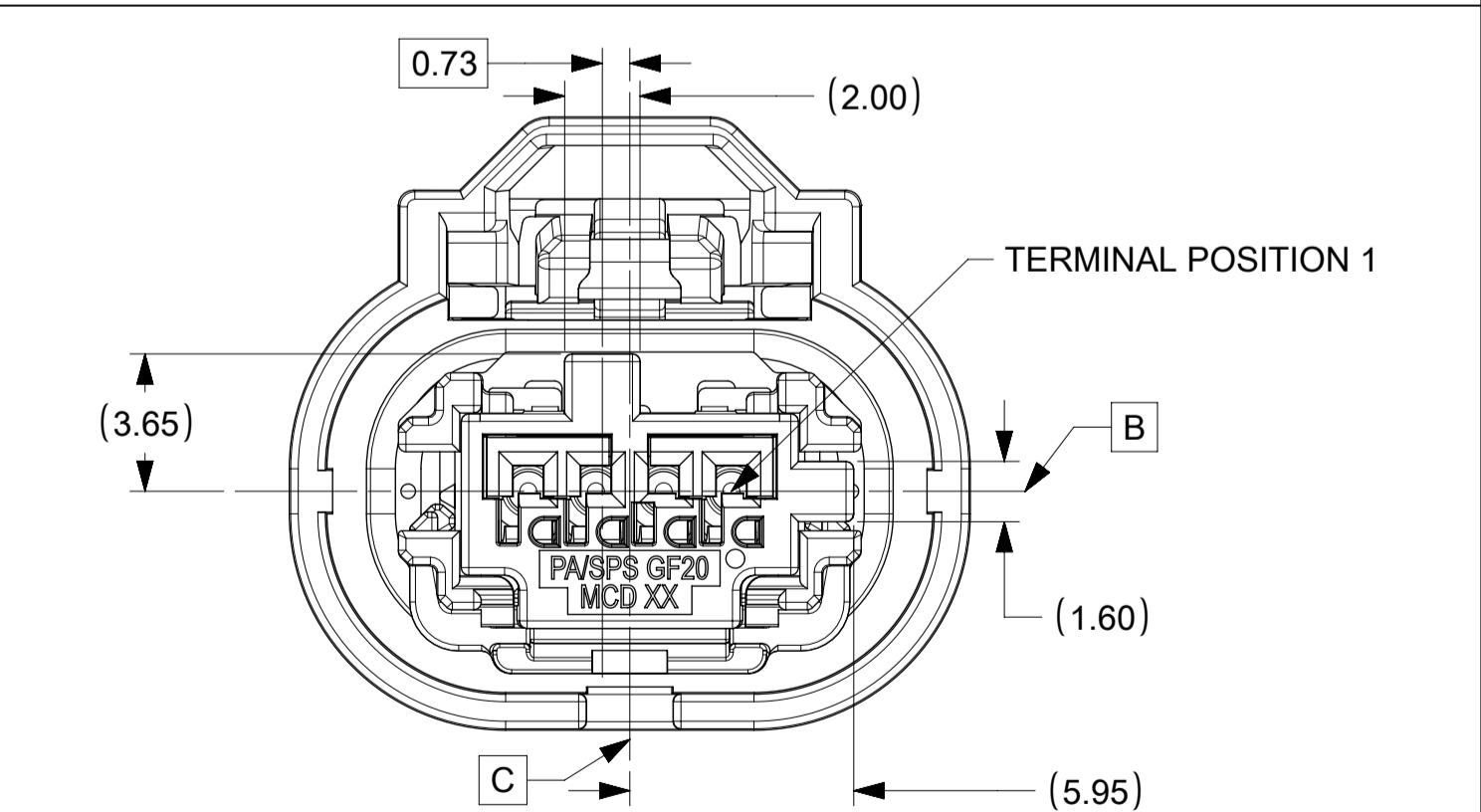
KEY A



KEY B



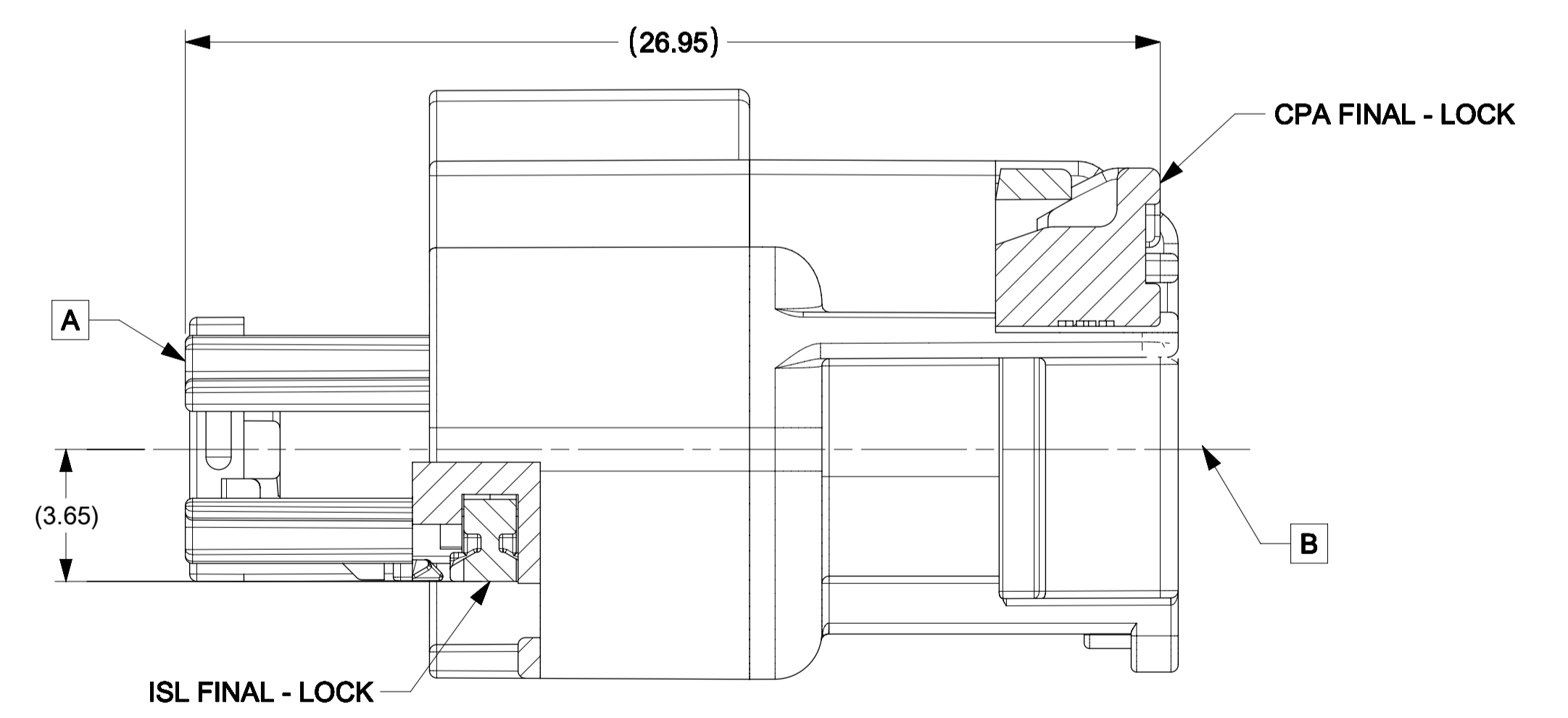
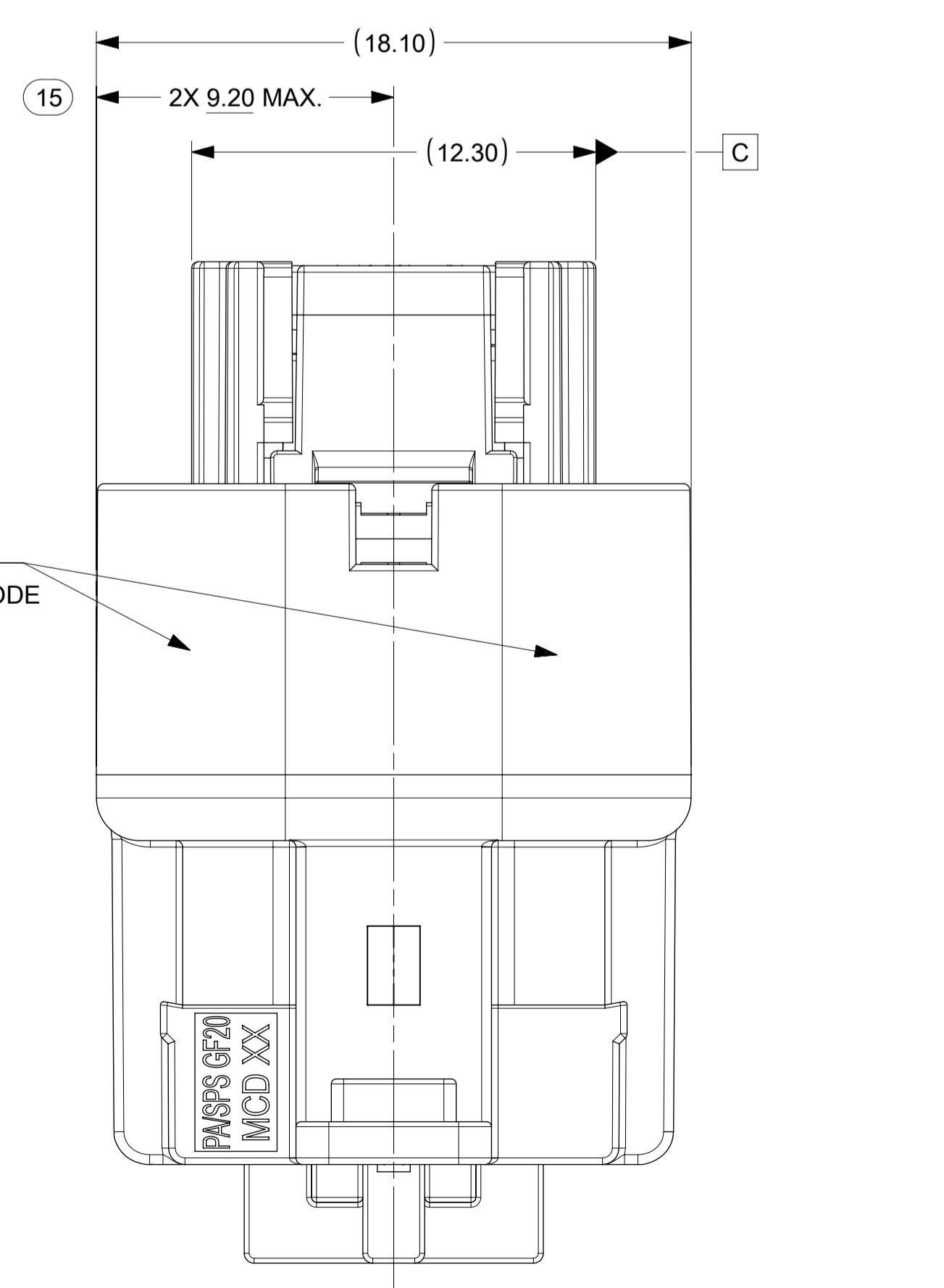
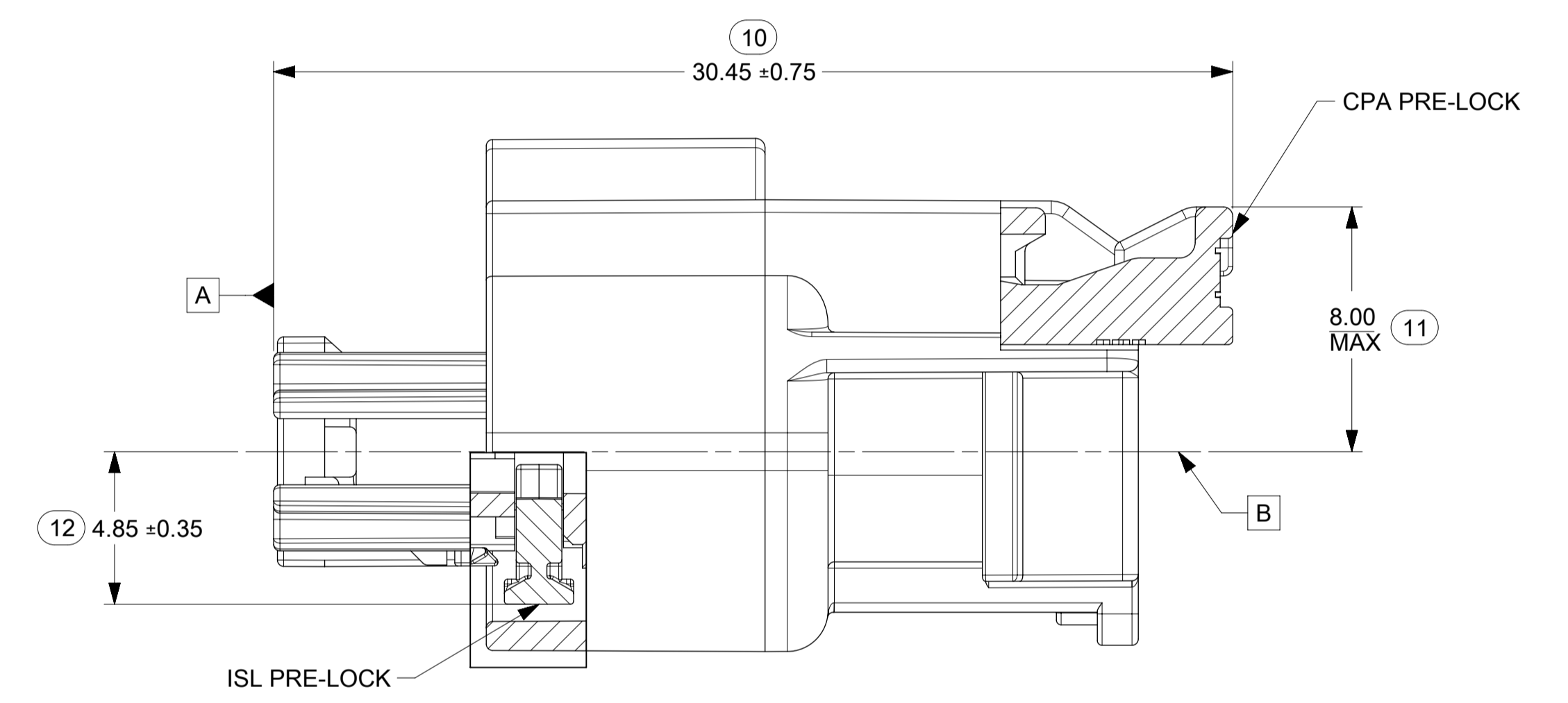
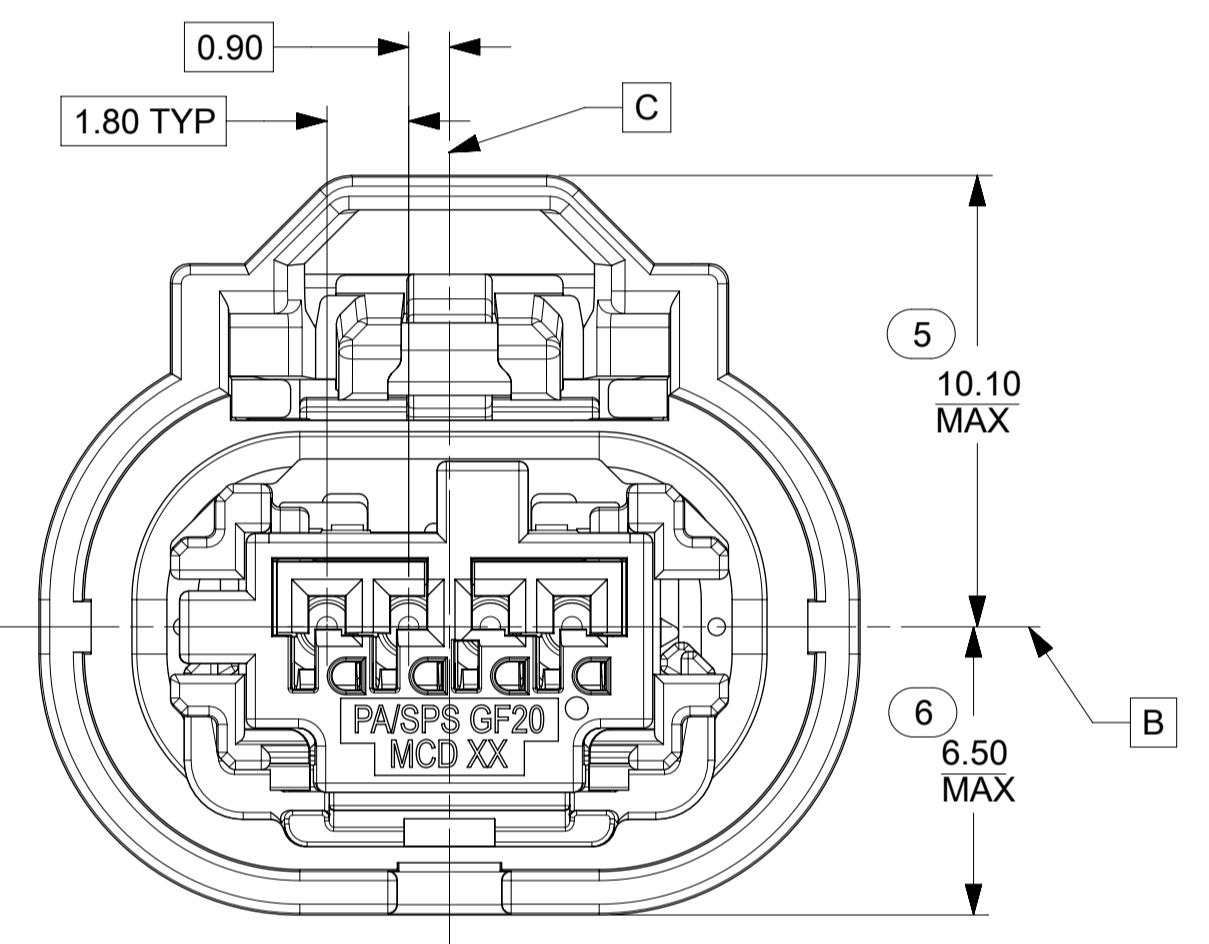
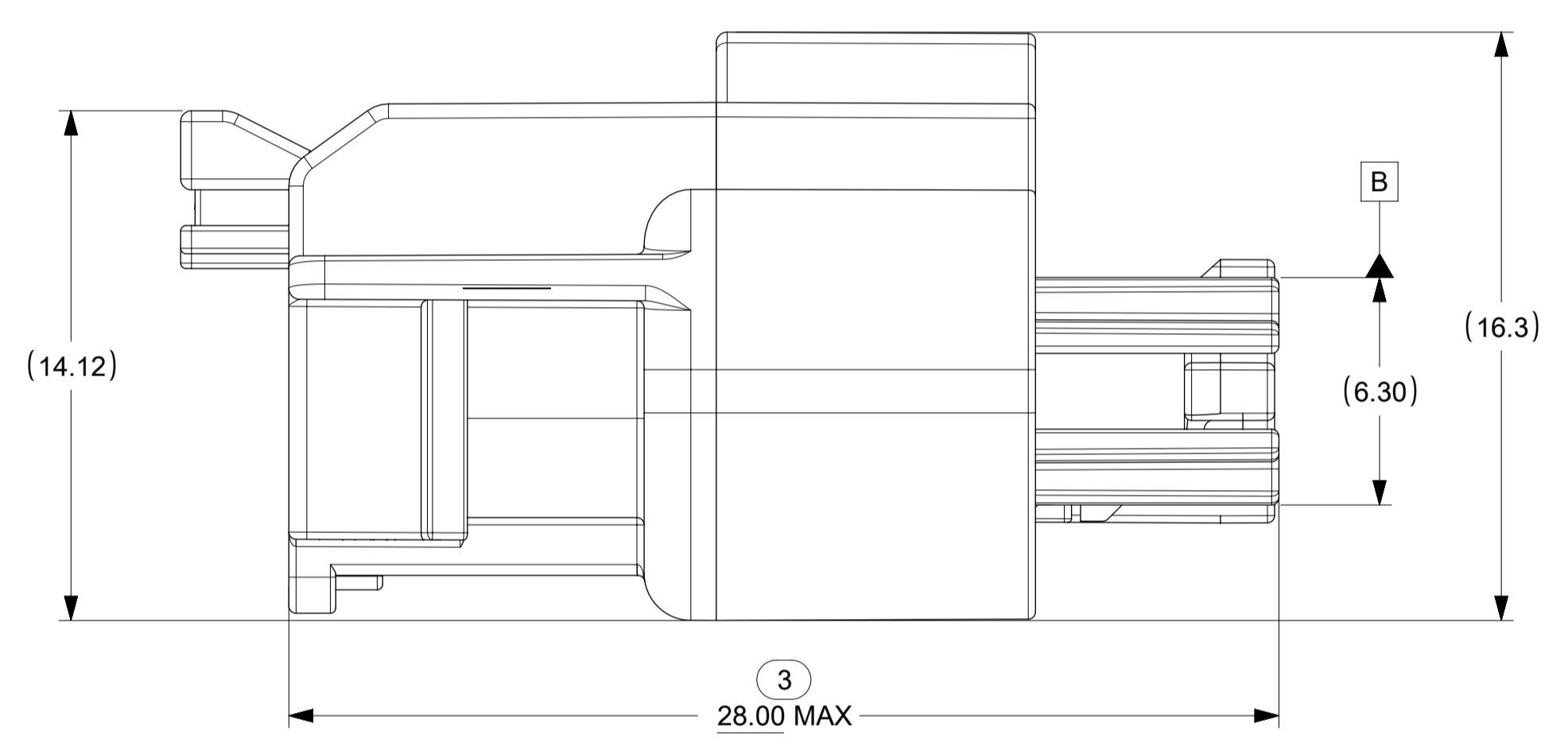
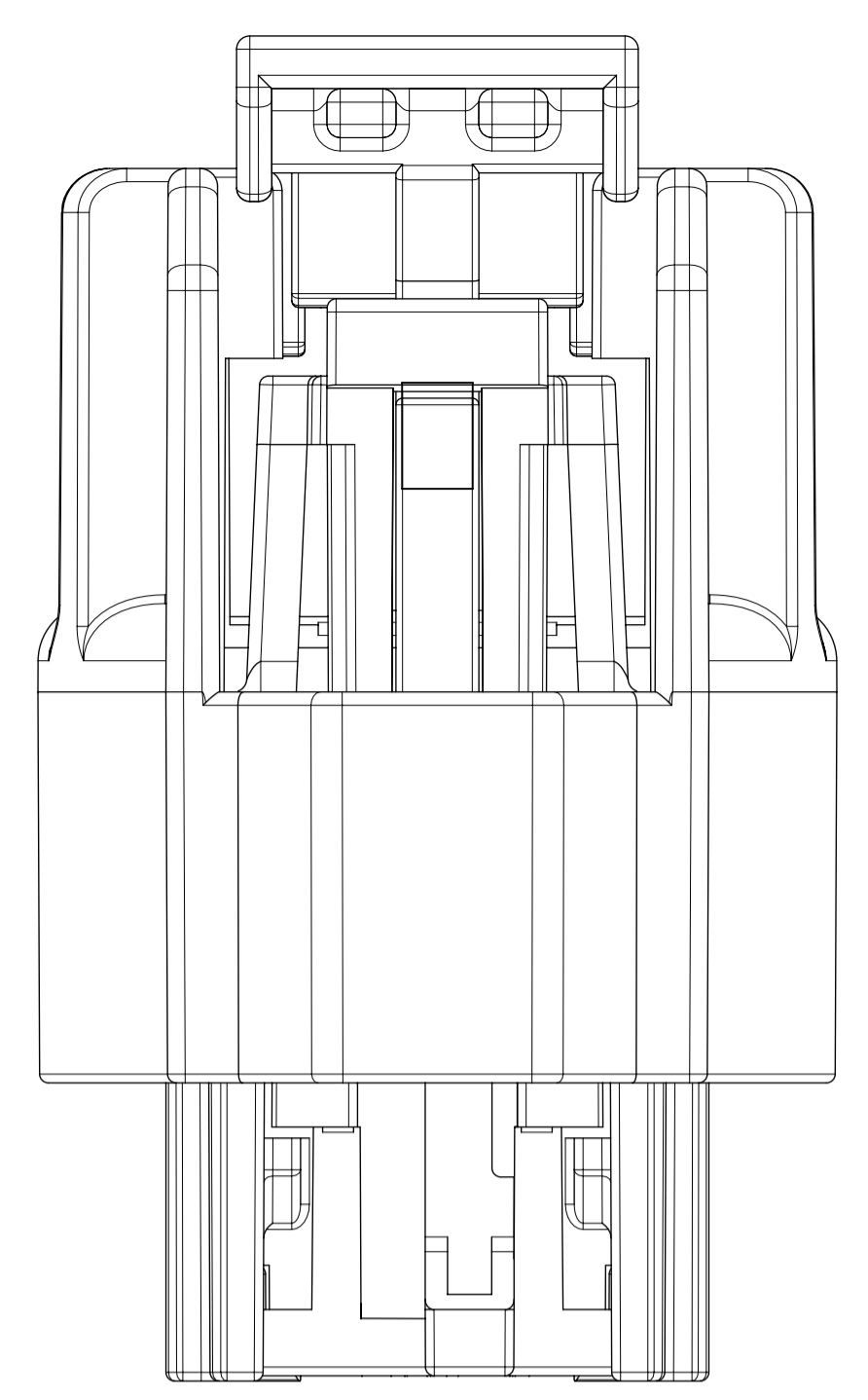
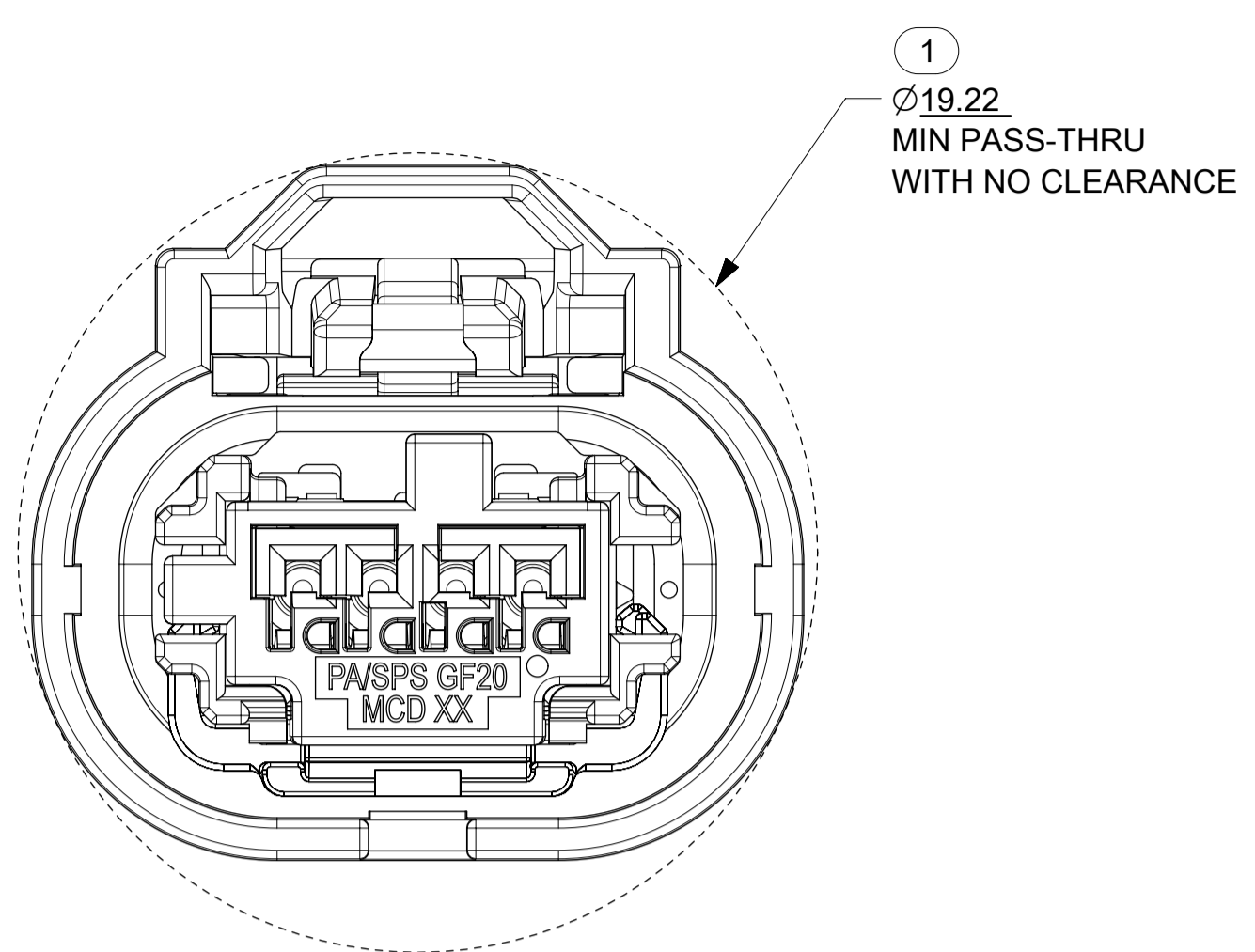
KEY C



KEY D

FUNCTIONAL SYMBOLS	THIS DRAWING CONTAINS INFORMATION THAT IS PROPRIETARY TO MOLEX ELECTRONIC TECHNOLOGIES, LLC AND SHOULD NOT BE USED WITHOUT WRITTEN PERMISSION		CURRENT REV DESC: UPDATED PART NUMBER CHART		
	DIMENSION UNITS	SCALE			
$\frac{E}{A} = 0$	mm	1:1			MINI50 SEALED 1X4 RCPT ASSY
$\frac{E}{C} = 0$	GENERAL TOLERANCES (UNLESS SPECIFIED)				
$\frac{E}{P} = 0$	ANGULAR TOL ± 3.0°				PRODUCT CUSTOMER DRAWING
DIVISIONAL SYMBOLS	4 PLACES	±	EC NO: 656180	2021/02/19	
	3 PLACES	±	DRWN: MLI149	2021/02/22	
	2 PLACES	± 0.1	CHK'D: JCONDON	2021/02/22	
	1 PLACE	± 0.2	APPR: JCONDON	2021/02/22	
0 PLACES	±	INITIAL REVISION:			
DRAFT WHERE APPLICABLE MUST REMAIN WITHIN DIMENSIONS		THIRD ANGLE PROJECTION	DRWING	SERIES	DOCUMENT NUMBER
			A1-SIZE	34967	349674000
					DOC TYPE DOC PART REVISION
					PSD 000 E3
					MATERIAL NUMBER CUSTOMER SHEET NUMBER
					SEE CHART 2 OF 3

SHEET DESCRIPTION
RECEPTACLE CONNECTOR ASSEMBLY



FUNCTIONAL SYMBOLS	THIS DRAWING CONTAINS INFORMATION THAT IS PROPRIETARY TO MOLEX ELECTRONIC TECHNOLOGIES, LLC AND SHOULD NOT BE USED WITHOUT WRITTEN PERMISSION		CURRENT REV DESC: UPDATED PART NUMBER CHART				
	DIMENSION UNITS	SCALE					
$\frac{E}{A} = 0$	mm	1:1	GENERAL TOLERANCES (UNLESS SPECIFIED)		MINI50 SEALED 1X4 RCPT ASSY		
$\frac{E}{C} = 0$	ANGULAR TOL ± 3.0°		4 PLACES ±		PRODUCT CUSTOMER DRAWING		
$\frac{E}{P} = 0$	3 PLACES ±		3 PLACES ±		DOCUMENT NUMBER		
	2 PLACES ± 0.1		2 PLACES ±		349674000		
	1 PLACE ± 0.2		1 PLACE ±		DOC TYPE DOC PART REVISION		
	0 PLACES ±		0 PLACES ±		PSD 000 E3		
DIVISIONAL SYMBOLS	DRAFT WHERE APPLICABLE MUST REMAIN WITHIN DIMENSIONS		THIRD ANGLE PROJECTION		MATERIAL NUMBER		
			DRAWING		CUSTOMER		
			A1-SIZE		SHEET NUMBER		
			34967		SEE CHART		
			SERIES		3 OF 3		
			DRAWING				
			34967				

TABLE OF CONTENTS	
SHEET NO.	SHEET DESCRIPTION
1	INTERFACE NOTES AND BOM
2	INTERFACE KEY CONFIGURATIONS
3	INTERFACE DEFINITION
4	INTERFACE DATUM TARGETS

MATING INTERFACE CHART			
DESCRIPTION	COLOR	MODEL NUMBER	KEY
1x4, KEY A, BLACK	BLACK	349684801	A
1x4, KEY B, LIGHT GRAY	LIGHT GRAY	349684802	B
1x4, KEY C, DARK GRAY	DARK GRAY	349684803	C
1x4, KEY D, STONE GRAY	STONE GRAY	349684804	D

NOTES: VALID UNLESS OTHERWISE SPECIFIED

1. GENERAL:

REFER TO "SAE/USCAR 12 CONNECTOR GUIDELINES" AND "SAE/USCAR 2 PERFORMANCE SPECIFICATION FOR AUTOMOTIVE ELECTRICAL CONNECTOR SYSTEMS" FOR ADDITIONAL REQUIREMENTS.

2. DESIGN - MATERIALS:

a. HOUSING: SPS/NYLON 20% GLASS FILLED OR EQUIVALENT

FLAMMABILITY REQUIREMENT: PER ISO3795 OR GM3191

1. BURN RATE 100mm/MIN MAXIMUM
2. MATERIAL MUST BE SELF EXTINGUISHING

b. BLADE TERMINAL: SEE MOLEX SALES DRAWING 347350050. FOR MATERIAL, DIMENSIONAL, PLATING AND COATING REQUIREMENTS AND ANY BLADE TERMINAL DESIGN INFORMATION NOT SHOWN ON REFERENCED OR THIS DRAWING SEE EWCAP DWG NO. EWCAP-001.

1. TIN PLATING: 2.5-4.0 MICROMETERS MATTE TIN OVER 1.25-2.25 MICROMETERS DUCTILE SULFAMATE NICKEL
 2. SILVER PLATING: 1.9-3.3 MICROMETERS SILVER OVER 1.0-1.8 MICROMETERS DUCTILE SULFAMATE NICKEL.
- ANTI-TARNISH: SYNTHETIC HYDROCARBON CONTACT SURFACE FINISH OR EQUIVALENT APPLIED WITHOUT VOID TO CONTACT AREA

c. STANDARD COLORS FOR KEYING (SEE CHART). DEVIATION REQUIRES APPROVAL OF AUTHORIZED PERSON.

3. DESIGN - GEOMETRY:

a. THE 3-D CAD DATA IS BASIC (WITHOUT TOLERANCE) AND THE MASTER FOR THIS PART WITH THE EXCEPTION OF UNDERLINED DIMENSIONS. DIMENSIONAL INFORMATION NOT SHOWN IN THIS DRAWING IS DEFINED BY THE DATA FILE AT ITS LATEST REVISION.

b. PRODUCT DESIGN MODEL NUMBER(S): SEE MATING INTERFACE CHART

c. GEOMETRIC DIMENSIONS AND TOLERANCES PER ASME Y14.5M - 2009

d. GENERAL TOLERANCES: SEE TITLE BLOCK

e. EDGES AND UNDIMENSIONED DETAILS PER ISO13715

f. CORNERS SHOWN AS SHARP TO BE R 0.2 MAX.

g. LETTERING SHALL BE 0.15 MAX RAISED IN 0.25 MAX RECESS PAD.

THIS INCLUDES RECYCLING CODE, CAVITY ID, VENDOR IDENTIFICATION, AND CUSTOMER MATERIAL NUMBER.

(FOR SMALL PARTS: LETTERING SHALL BE 0.10 MAX RAISED IN 0.15 MAX RECESS PAD)

4. DESIGN - MANUFACTURING:

a. ALLOWABLE FLASH MAX 0.20 HIGH BY MAX 0.13 THICK.

b. ALLOWABLE SPLIT/PARTING LINE MISMATCH 0.2 MAX.

c. EJECTOR PIN MARKS TO BE FLUSH TO 0.25 MAX DEPRESSED. LOCATION MUST BE APPROVED BY PRODUCT ENGINEERING. EJECTOR PIN MARKS NOT PERMISSIBLE ON OR NEAR DATUM TARGET AREA.

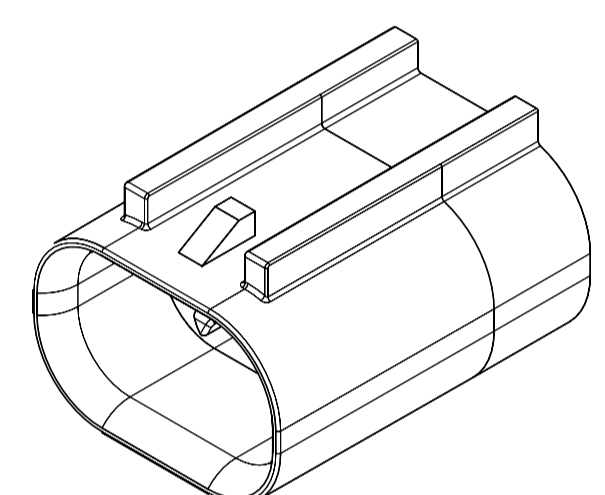
d. ALLOWABLE GATE VESTIGE FLUSH TO 0.25 MAX RECESS. LOCATION MUST BE APPROVED BY PRODUCT ENGINEERING.

e. NO EXTERNAL MOLD RELEASE AGENT ALLOWED DURING MANUFACTURING.

f. NO PARTING LINES, MISMATCHES OR EJECTOR MARKS PERMISSIBLE WITHIN THE INDICATED SURFACE. TOOLING FOR INDICATED SURFACE MUST BE PROCESSED TO A SURFACE FINISH OF NTMA #70 (400 PAPER).

g. BLADE TERMINAL ENVIRONMENTAL BARRIER (USED WITH SILVER PLATED TERMINALS) SHALL NOT BE PRESENT ON ANY SURFACE OTHER THAN THE BLADE TERMINALS

h. NO PARTING LINES, FLASH, MISMATCHES OR EJECTOR MARKS PERMISSIBLE ON THE INDICATED NOSE SURFACE OR TRANSITION TO INTERNAL SHROUD SURFACE.



1X4

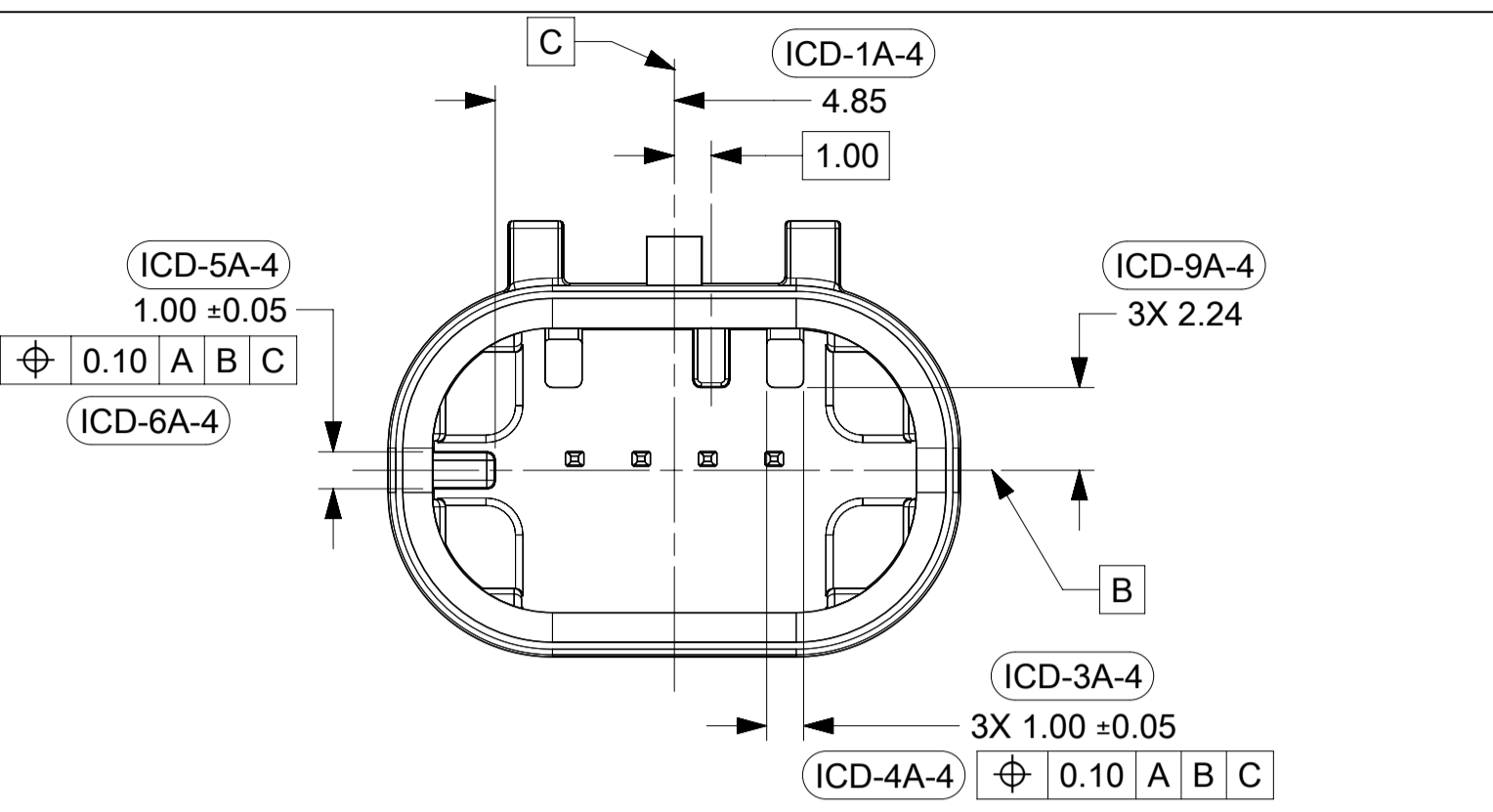
INSPECTION NUMBER LOG	
LAST NUMBER:	ICD-30
ADDED:	
REMOVED:	ICD-27A

C4	REMOVED ICD-27A. CHANGED ICD-12 AND ICD-28
C3	ADDED SEE NOTE 2b TO PIN DETAILS, SHEET 3
C2	REMOVED SUBJECT TO CHANGE NOTE
C1	REVISED NOTES. SIMPLIFIED DIMENSIONING. REMOVED ICD-17, 19, 29, 31. ADDED ICD-3A, 7A, 8A, 9A, 27A. ADDED FP TO 12, 13, 16.
C	GEOMETRY CHANGES
REV	REV DESCRIPTION

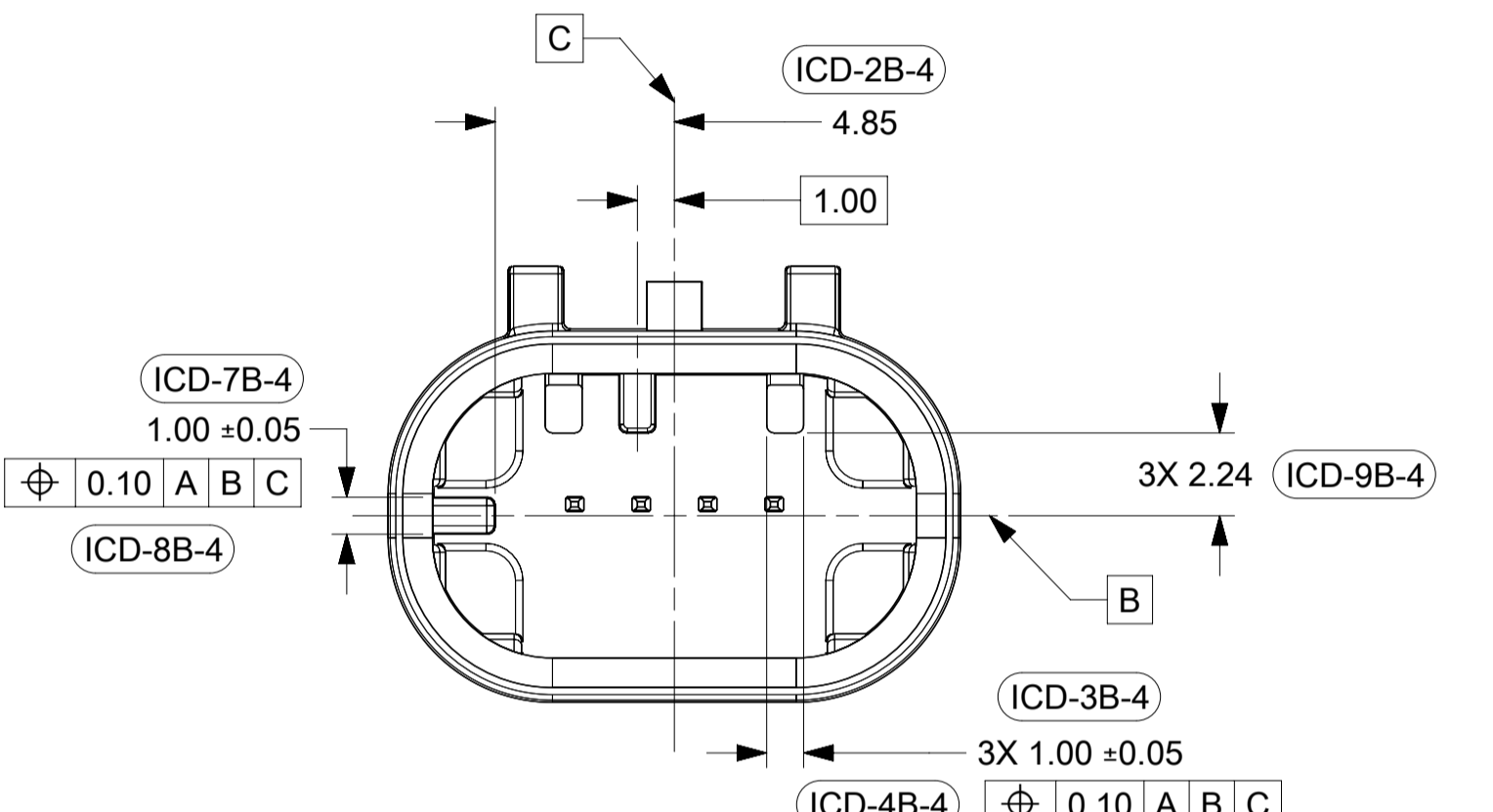
QUALITY SYMBOLS FA = 0 FE = 0 FE = 0 ▽ = 0 C = 0 ☒ = 0 ■ = 0 ▽ = 0	THIS DRAWING CONTAINS INFORMATION THAT IS PROPRIETARY TO MOLEX ELECTRONIC TECHNOLOGIES, LLC AND SHOULD NOT BE USED WITHOUT WRITTEN PERMISSION					
	EC NO: 659036 DRWN: ML1149 CHKD: JCONDON REV APPR: JCONDON	2021/02/26 2021/03/24 2021/03/24	GENERAL TOLERANCES (UNLESS SPECIFIED) ANGULAR TOL ± 3.0 ° 4 PLACES ± 3 PLACES ± 2 PLACES ± 0.1 1 PLACE ± 0.2 0 PLACES ±	DIMENSION UNITS: mm SCALE: 1:1 DRWN BY: MNS02 DATE: 2016/04/21 CHK'D BY: DATE: APPR BY: KDEKOSKI DATE: 2016/05/04		MINI50 SEALED 1X4 INTERFACE PRODUCT CUSTOMER DRAWING
	C4	A1	DRAFT WHERE APPLICABLE MUST REMAIN WITHIN DIMENSIONS	DRAWING SIZE: A1 THIRD ANGLE PROJECTION		SERIES: 34968 MATERIAL NUMBER: SEE CHART CUSTOMER:
	RELEASE STATUS: P1 RELEASE DATE: 2021/03/24 15:08:42	DOCUMENT NUMBER: 349684800 DOC TYPE: PSD DOC PART: 000 SHEET NUMBER: 1 OF 4				

SHEET DESCRIPTION
KEY CONFIGURATIONS

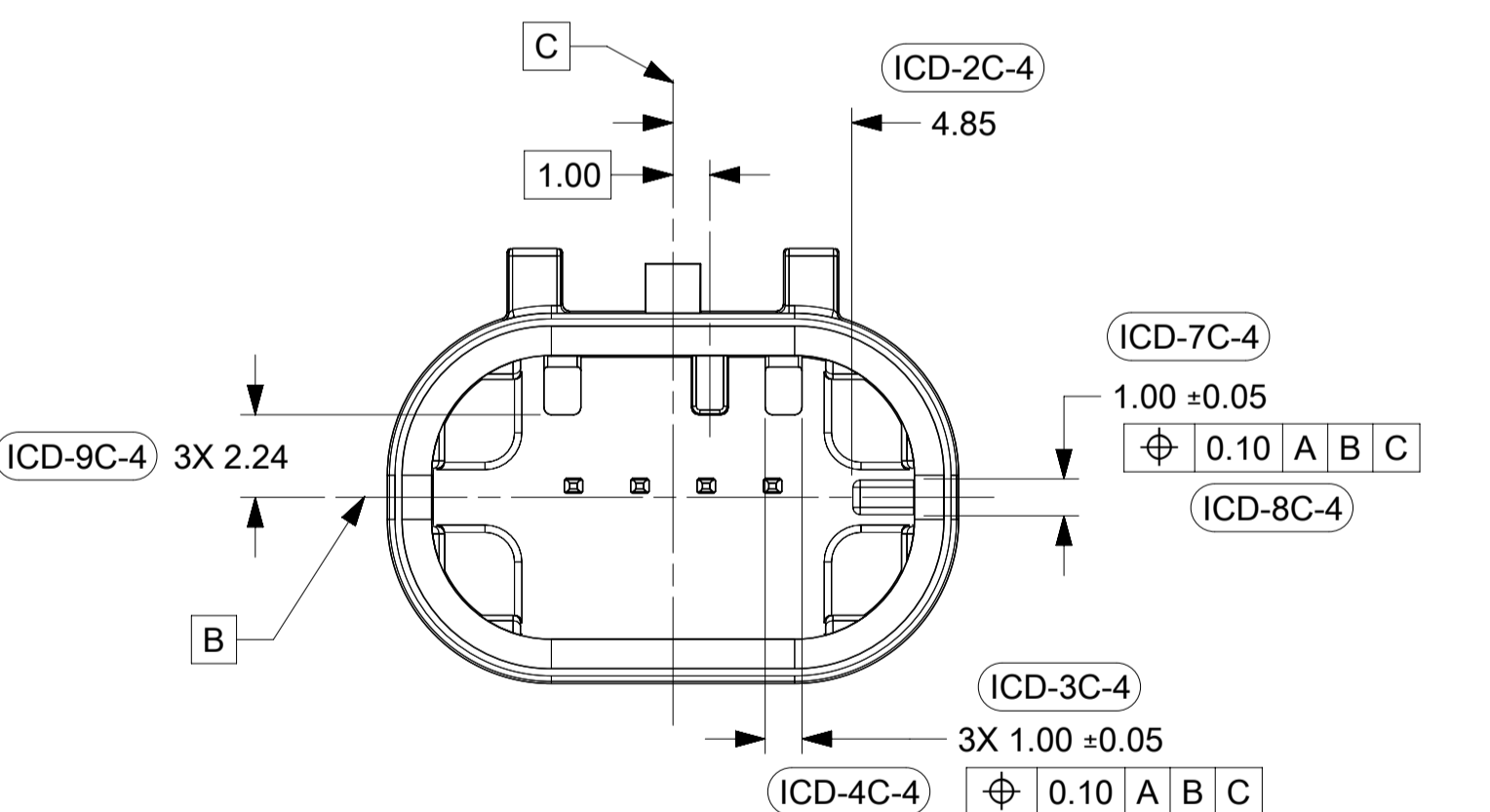
1X4



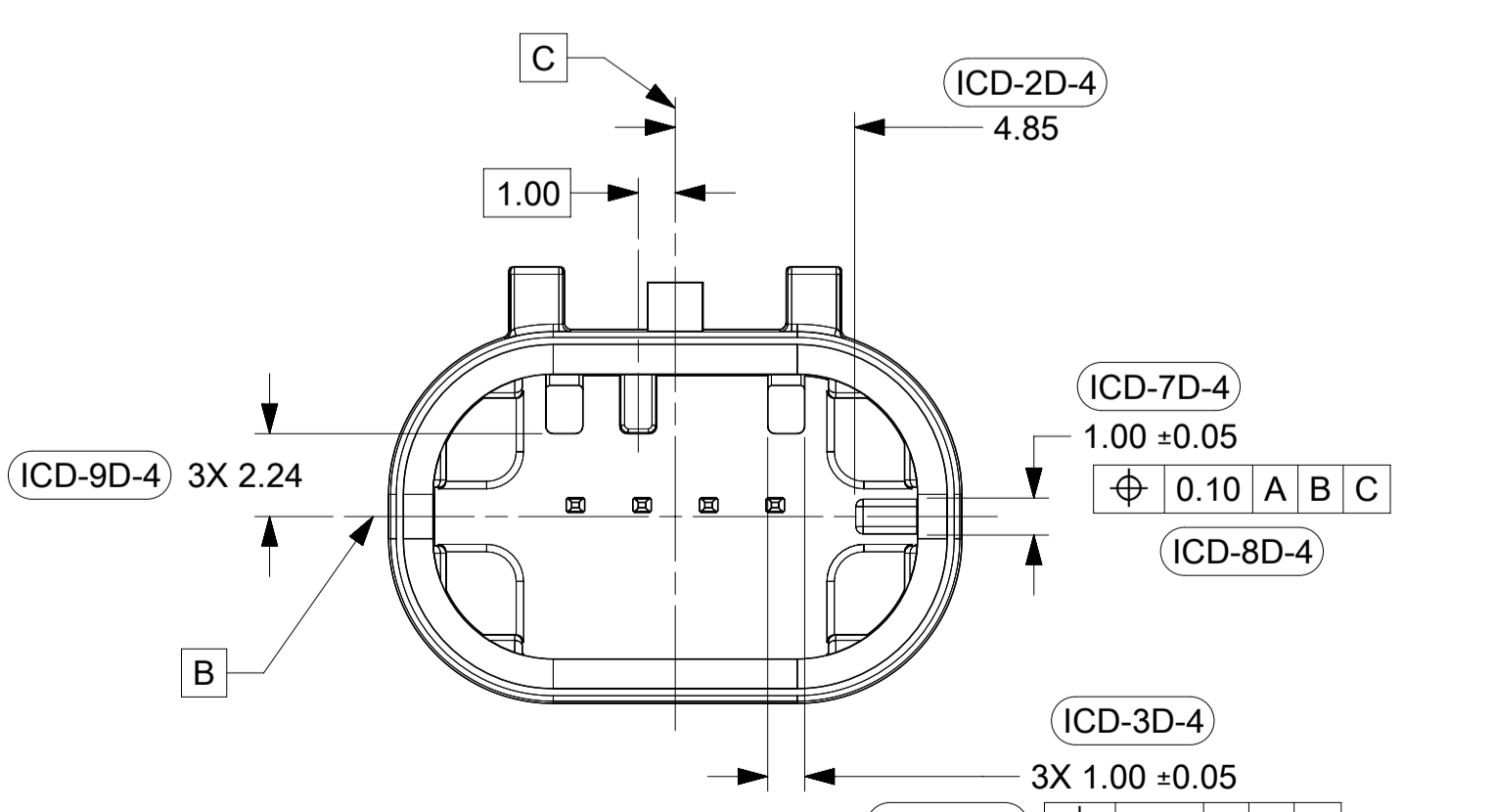
KEY OPTION A



KEY OPTION B



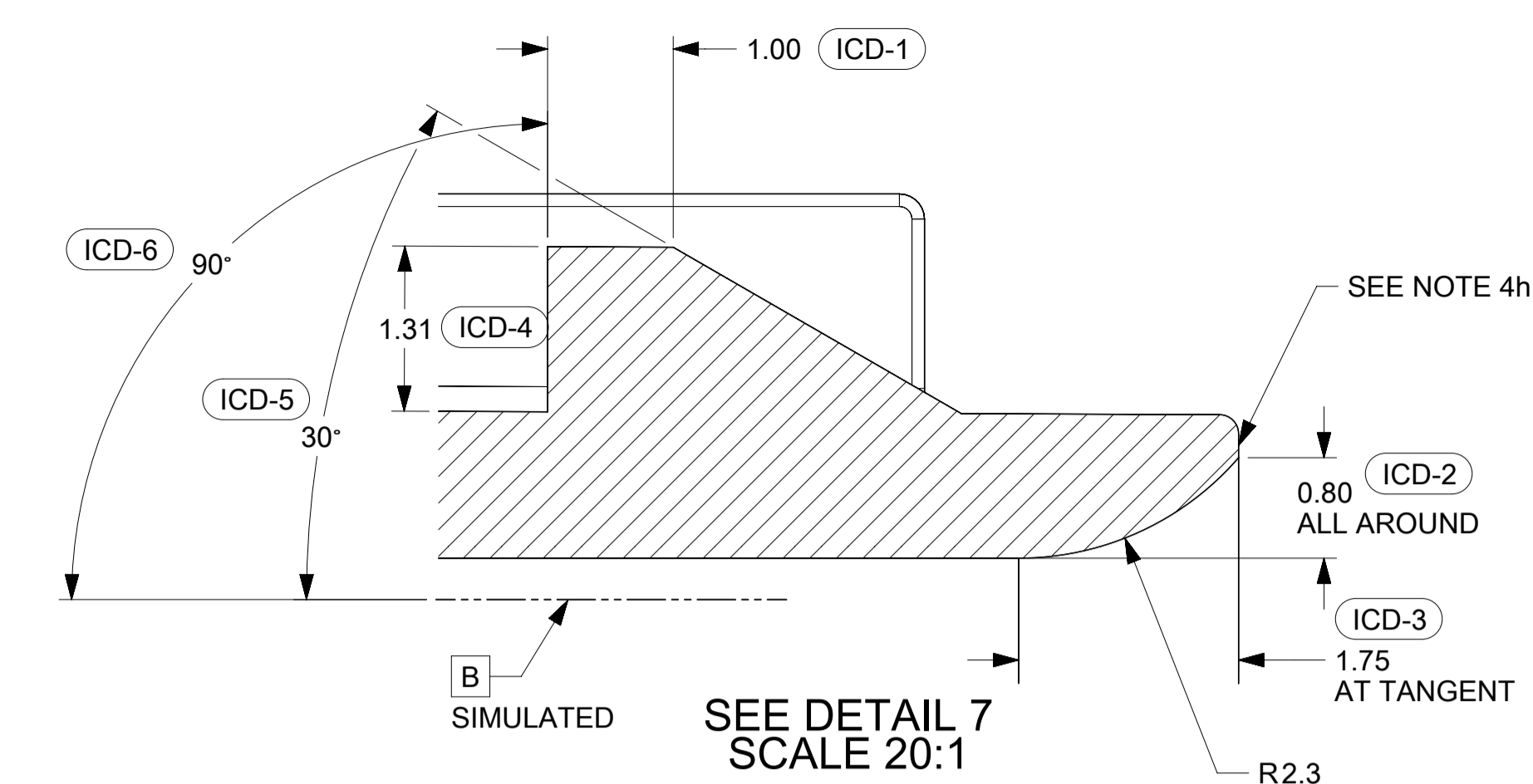
KEY OPTION C



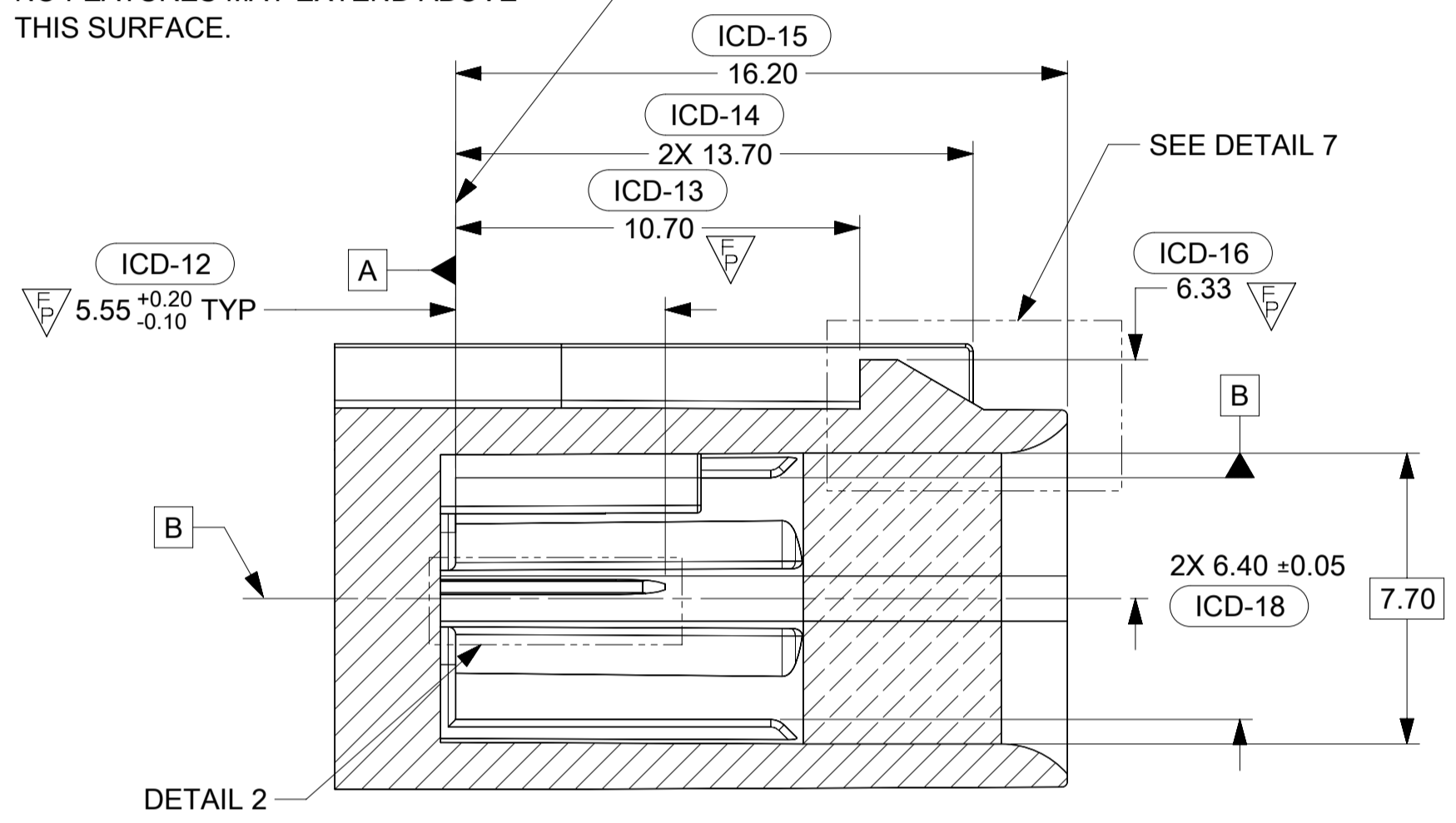
KEY OPTION D

<p>THIS DRAWING CONTAINS INFORMATION THAT IS PROPRIETARY TO MOLEX ELECTRONIC TECHNOLOGIES, LLC AND SHOULD NOT BE USED WITHOUT WRITTEN PERMISSION</p>		<p>GENERAL TOLERANCES (UNLESS SPECIFIED)</p>		<p>DIMENSION UNITS</p> <p>mm</p>	<p>SCALE</p> <p>1:1</p>			
<p>ANGULAR TOL ± 3.0 °</p>		<p>DRWN BY</p> <p>MNS02</p>		<p>DATE</p> <p>2016/04/21</p>				
<p>4 PLACES ±</p>		<p>CHK'D BY</p>		<p>DATE</p>		<p>PRODUCT CUSTOMER DRAWING</p>		
<p>3 PLACES ±</p>		<p>APPR BY</p> <p>KDEKOSKI</p>		<p>DATE</p> <p>2016/05/04</p>				
<p>2 PLACES ± 0.1</p>		<p>DRAWING SIZE</p> <p>A1</p>		<p>THIRD ANGLE PROJECTION</p>		<p>MATERIAL NUMBER</p> <p>SEE CHART</p>		
<p>1 PLACE ± 0.2</p>		<p>DRAFT WHERE APPLICABLE MUST REMAIN WITHIN DIMENSIONS</p>		<p>DOCUMENT NUMBER</p> <p>349684800</p>				
<p>0 PLACES ±</p>		<p>RELEASE STATUS</p> <p>P1</p>		<p>RELEASE DATE</p> <p>2021/03/24 15:08:42</p>		<p>SHEET NUMBER</p> <p>2 OF 4</p>		

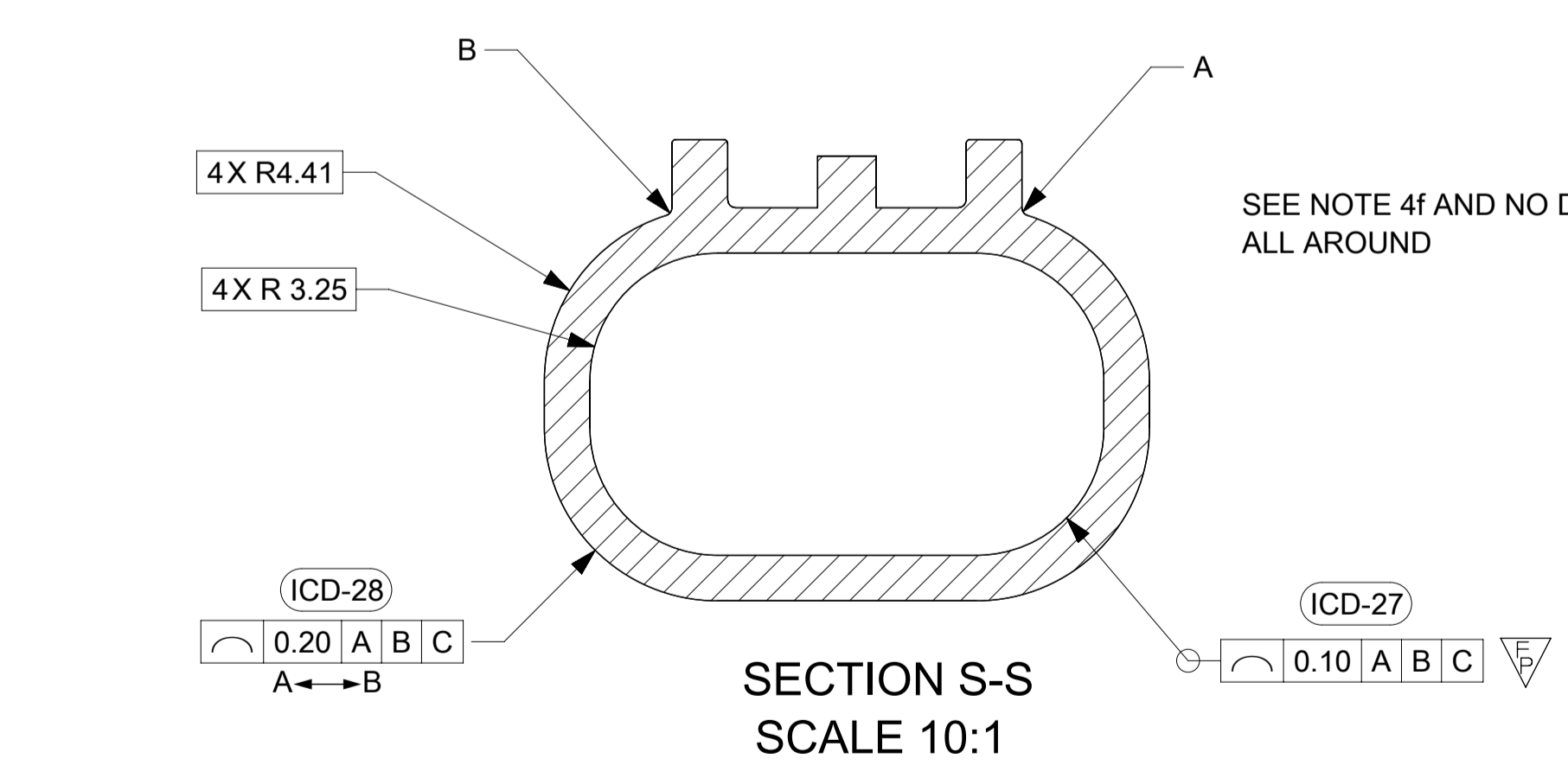
SHEET DESCRIPTION
CONNECTOR INTERFACE DEFINITION



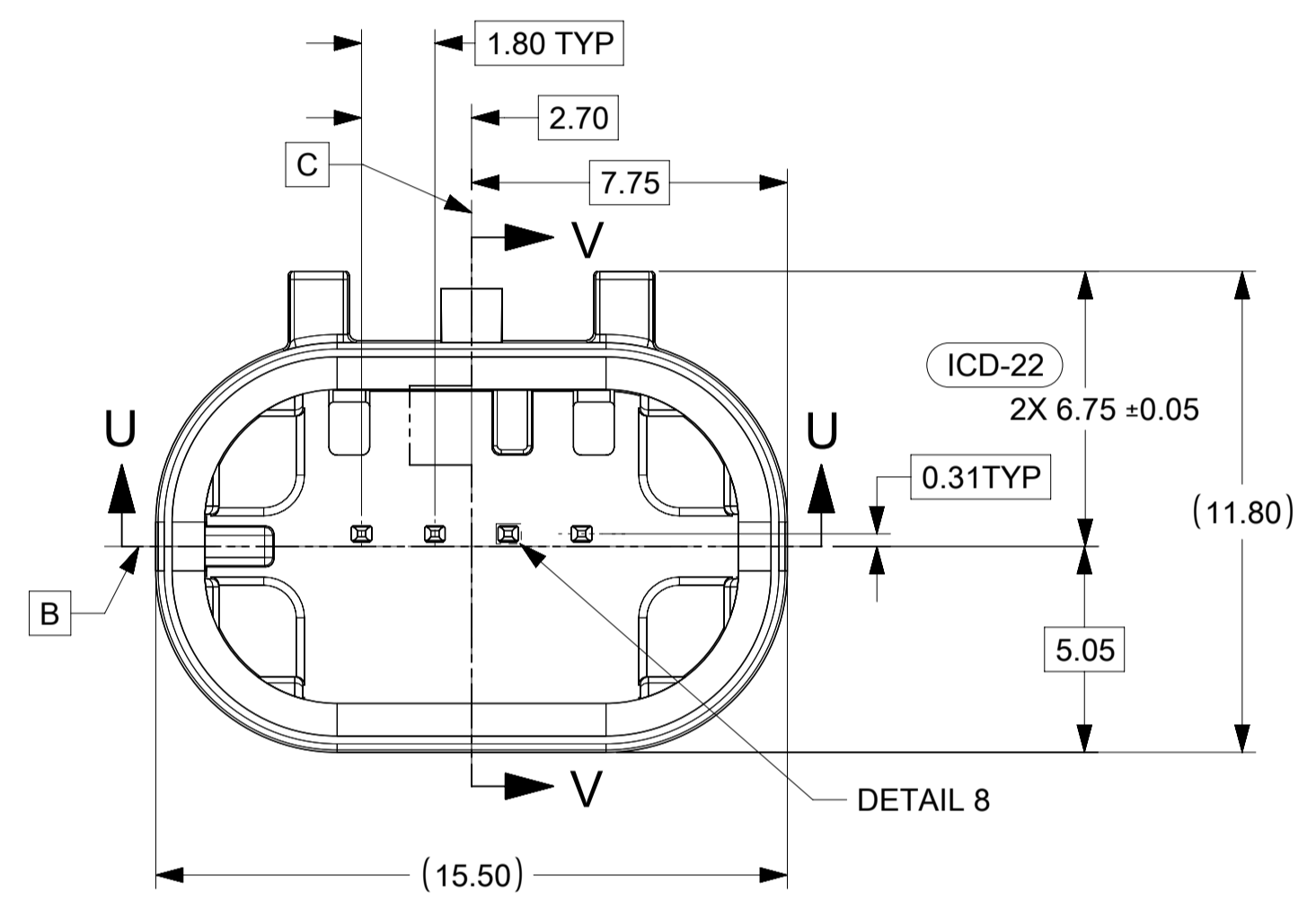
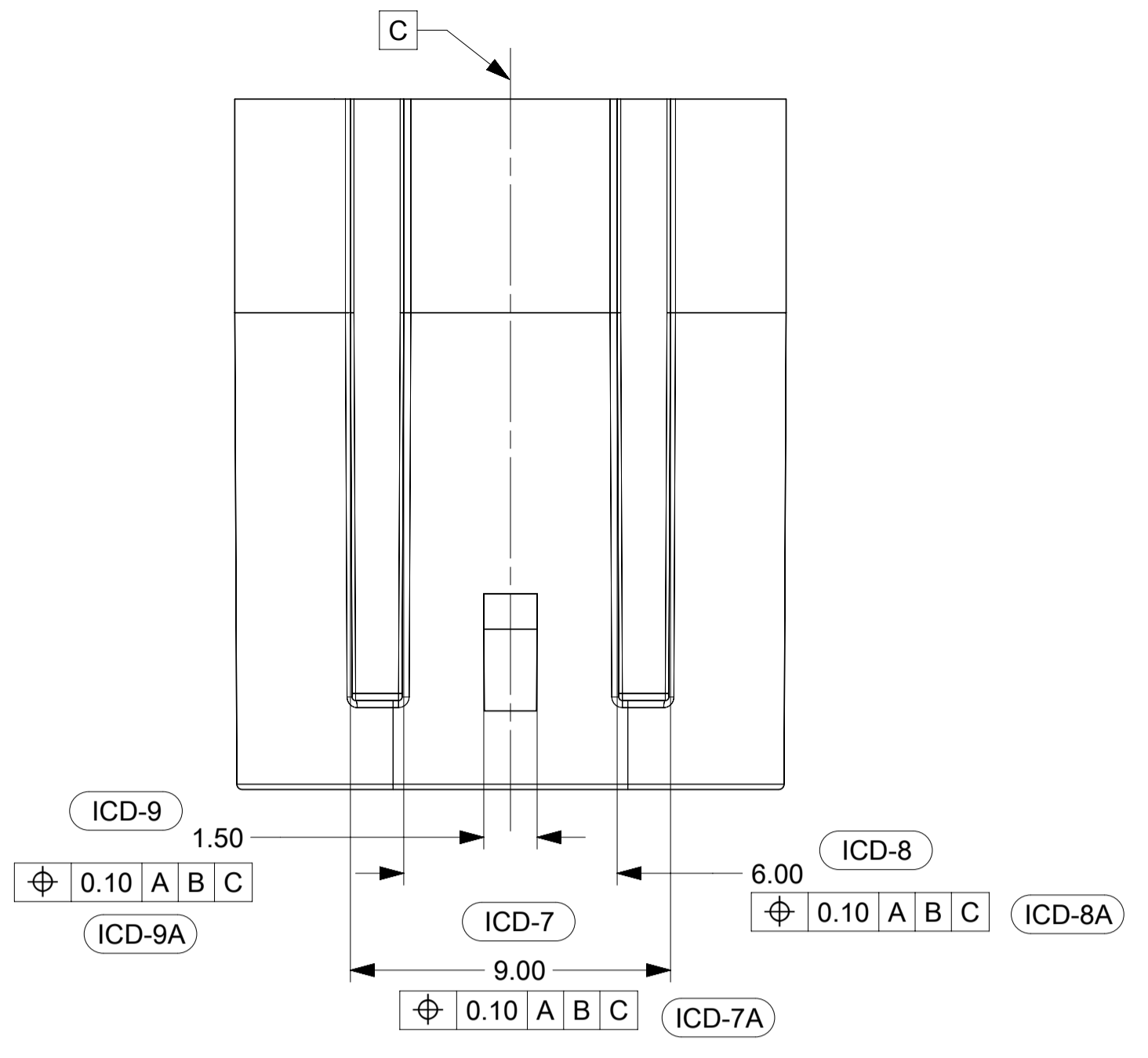
CONSTRUCTION BELOW THIS SURFACE IS NOT CONTROLLED BY THIS INTERFACE. NO FEATURES MAY EXTEND ABOVE THIS SURFACE.



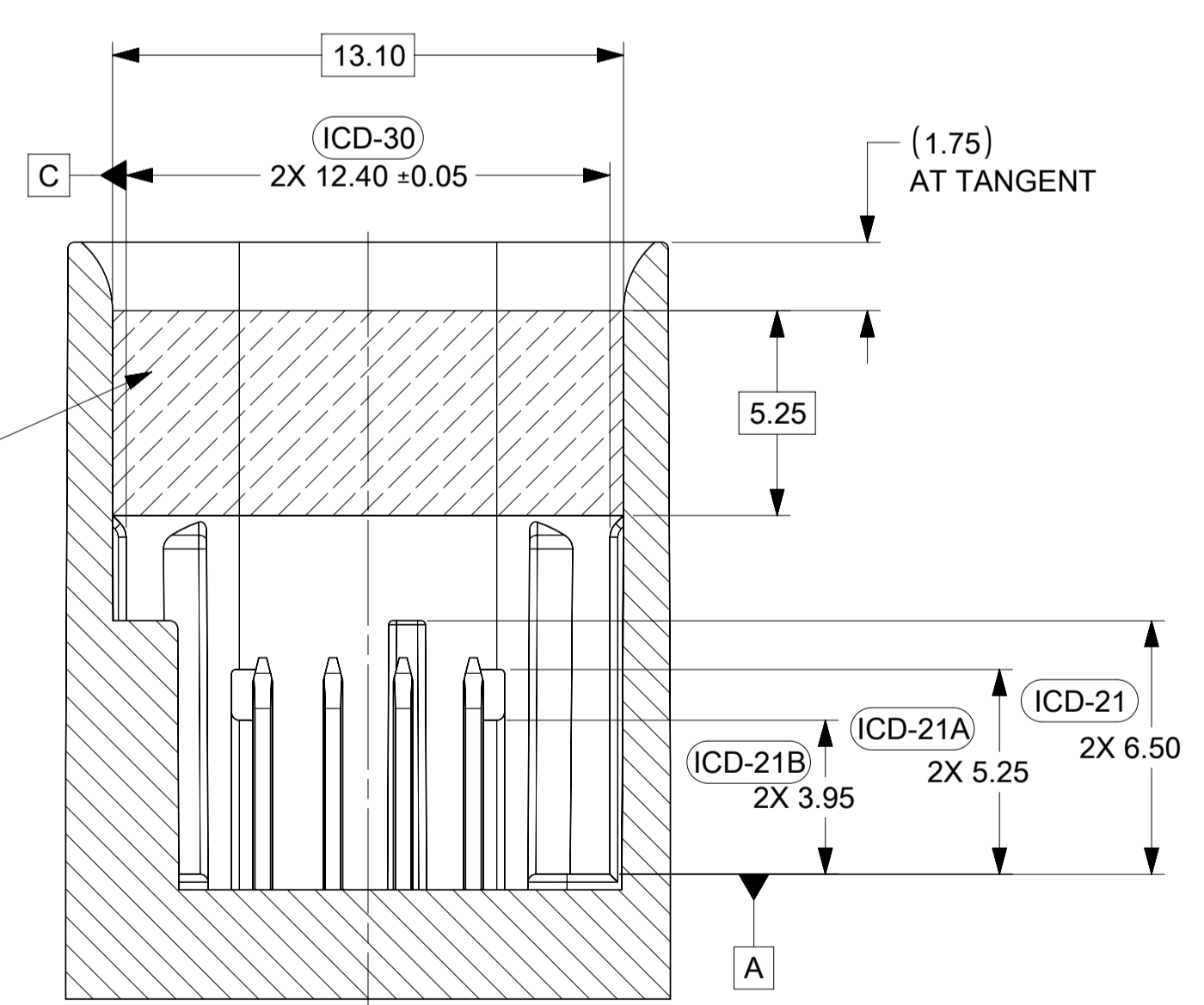
SECTION V-V



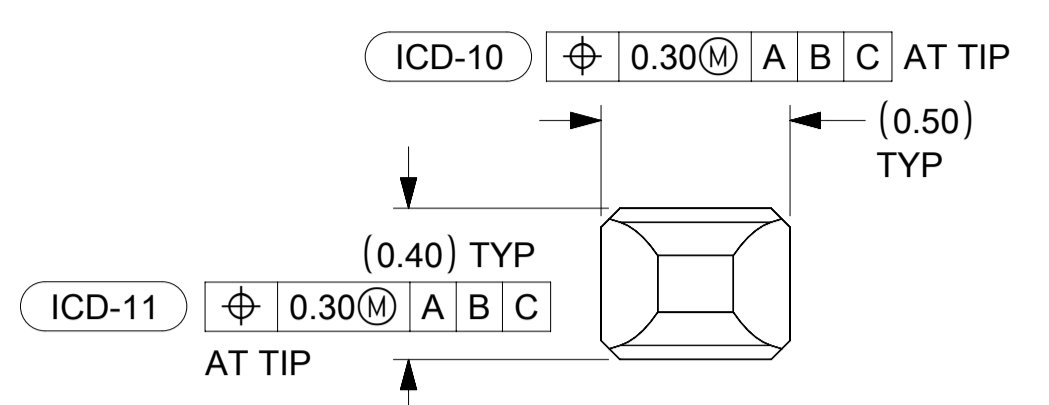
SECTION S-S SCALE 10:1



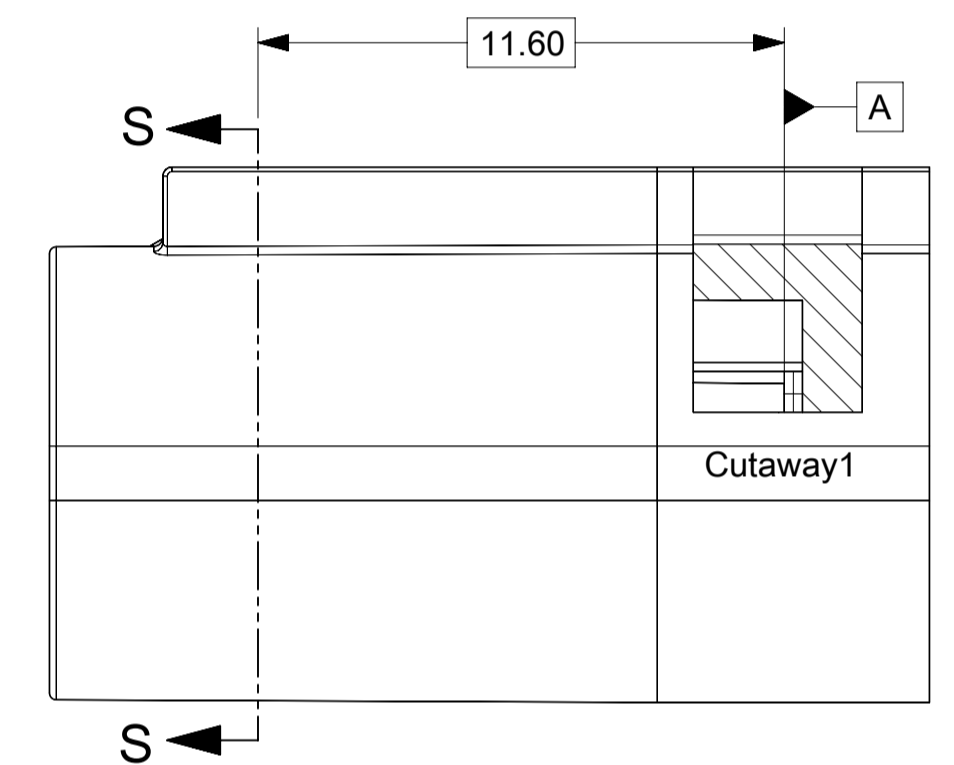
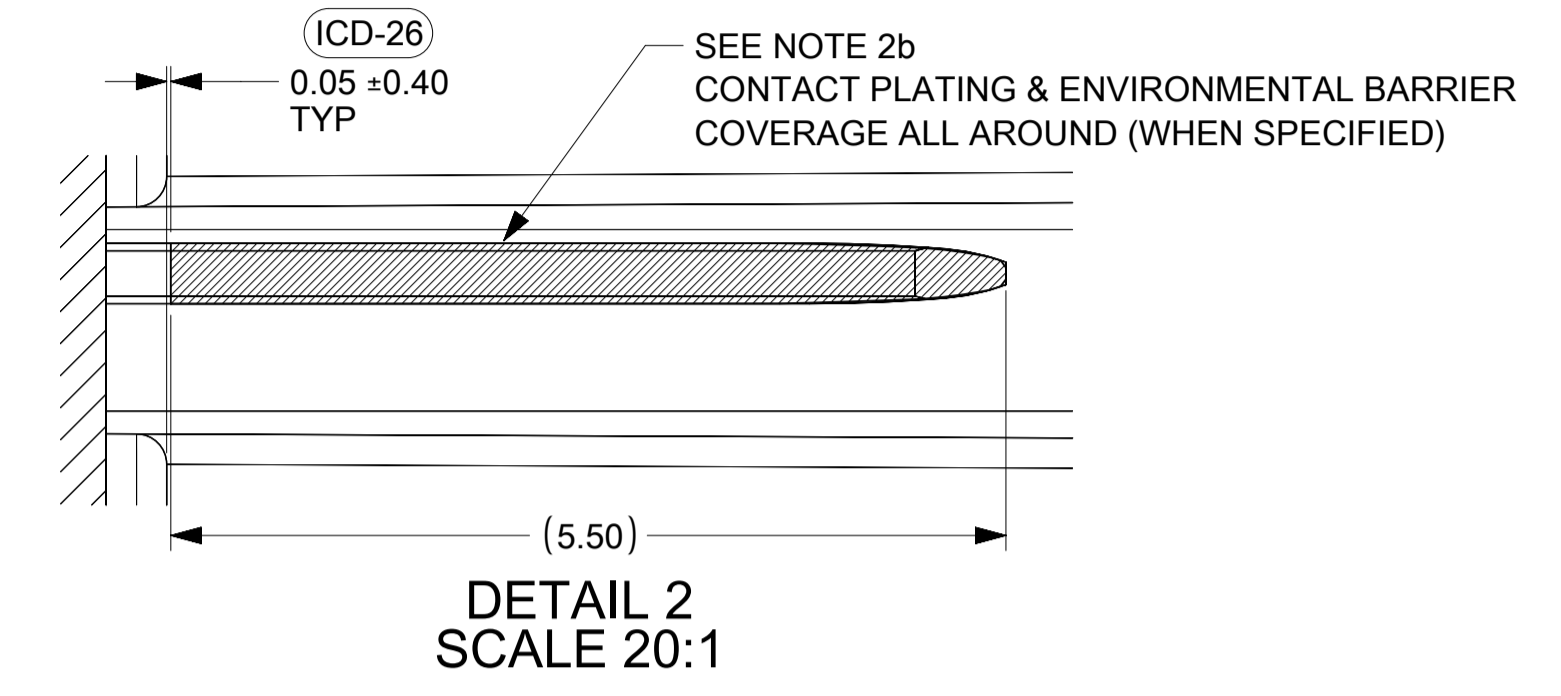
SECTION U-U



SEE NOTE 2b
REFER TO MOLEX SALES DWG 347350050
AND EWCAP DWG. NO. EWCAP-001 REV. P 050-T001
0.50 TERMINAL BLADE CONFIGURATION

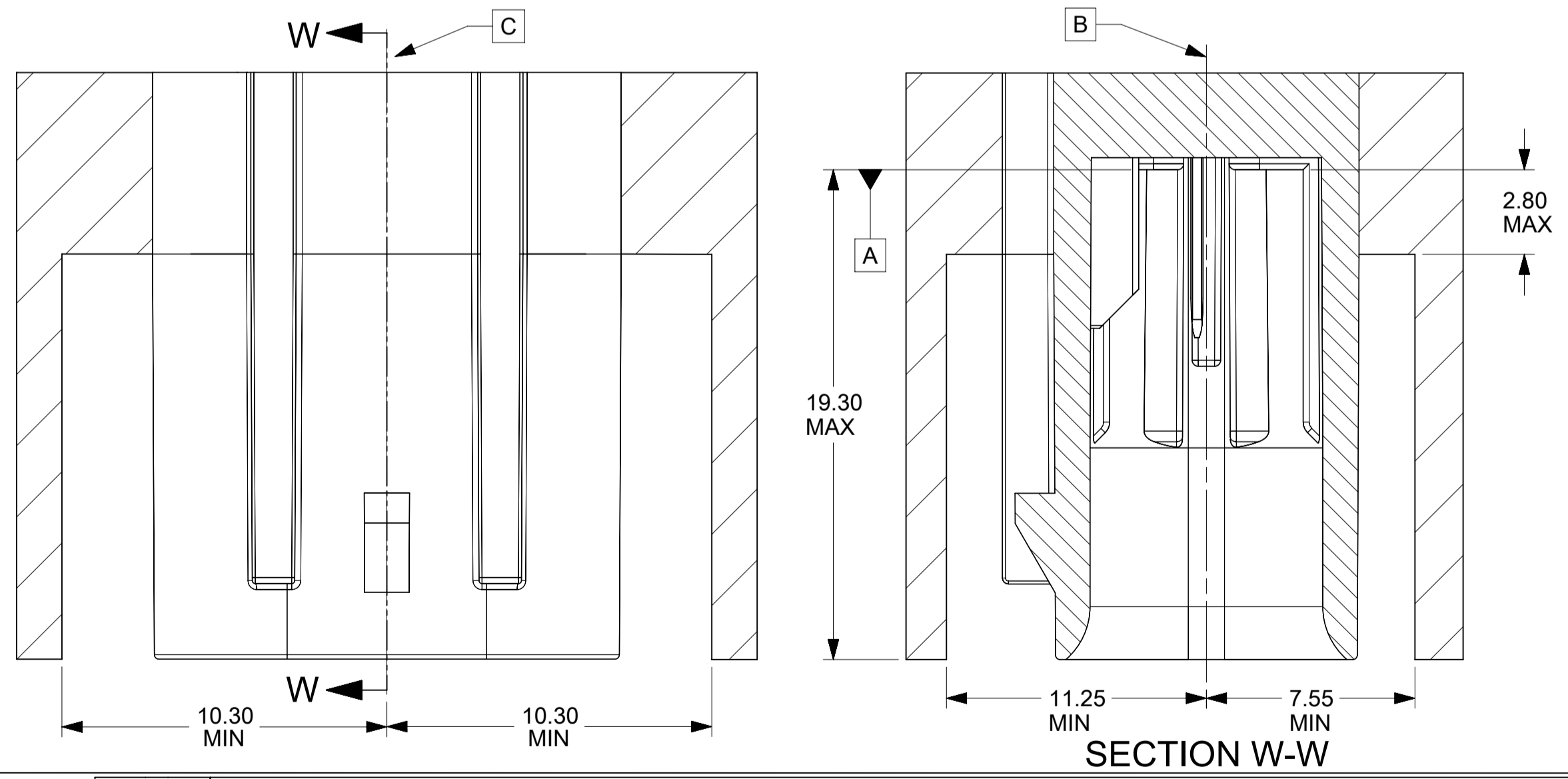


DETAIL 8 SCALE 50:1



PACKAGING FRAME

IF HEADER IS RECESSED INTO A POCKET, THESE DIMENSIONS REPRESENT THE MINIMUM CLEARANCE REQUIRED FOR THE MATING CONNECTOR SHROUD.



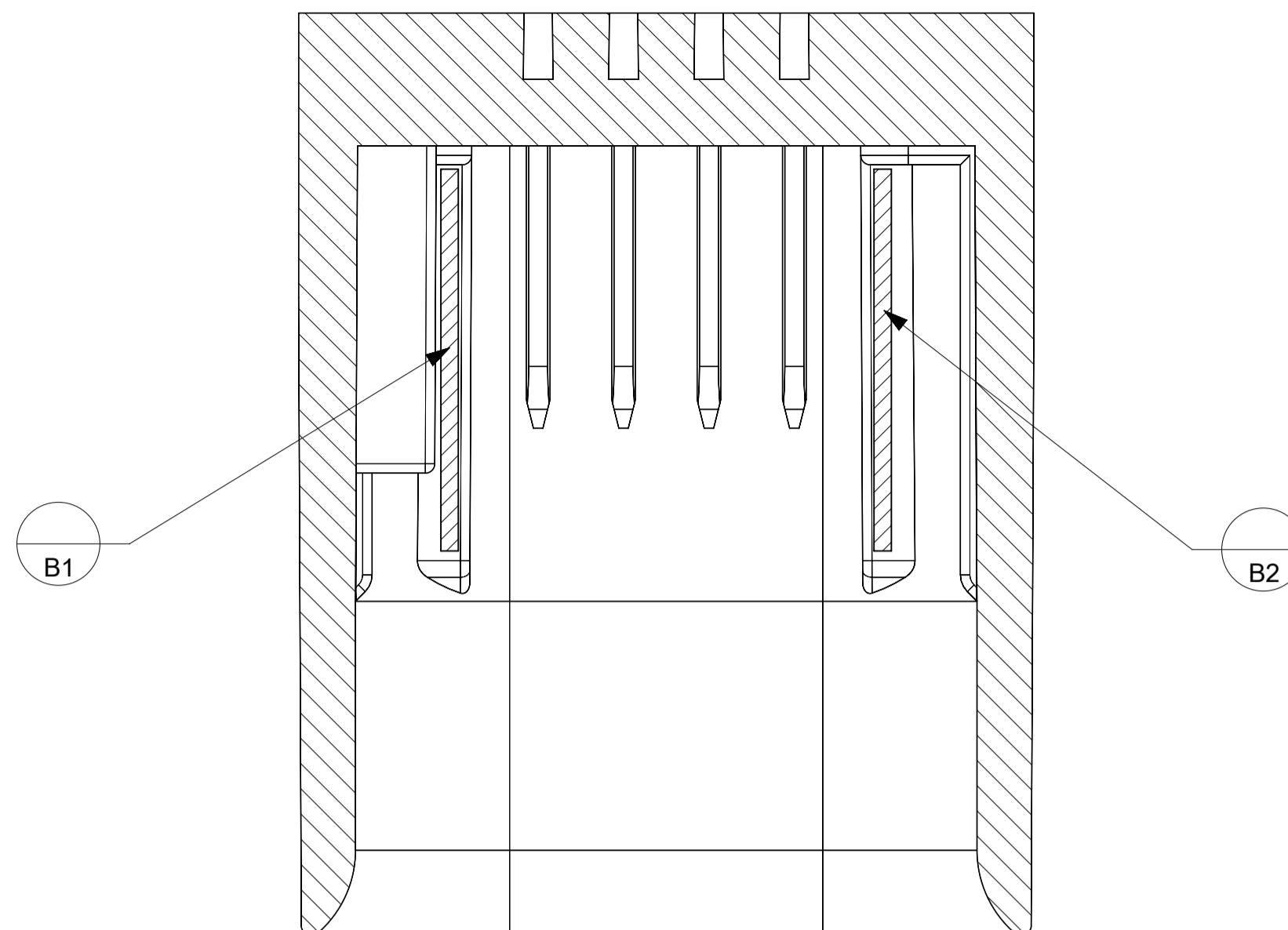
QUALITY SYMBOLS	THIS DRAWING CONTAINS INFORMATION THAT IS PROPRIETARY TO MOLEX ELECTRONIC TECHNOLOGIES, LLC AND SHOULD NOT BE USED WITHOUT WRITTEN PERMISSION			
	2021/02/26 2021/03/24 2021/03/24	GENERAL TOLERANCES (UNLESS SPECIFIED)	DIMENSION UNITS mm	SCALE 1:1
▽ = 0	EC NO: 659036 DRWN: ML1149 CHKD: JCONDON APP: JCONDON	ANGULAR TOL $\pm 3.0^\circ$	DRWN BY MNS02	DATE 2016/04/21
▽ = 0		4 PLACES \pm	CHK'D BY	DATE
▽ = 0		3 PLACES \pm	APPR BY KDEKOSKI	DATE 2016/05/04
▽ = 0		2 PLACES ± 0.1	DRAWING SIZE A1	THIRD ANGLE PROJECTION
▽ = 0		1 PLACE ± 0.2	SERIES 34968	
▽ = 0		0 PLACES \pm	MATERIAL NUMBER SEE CHART	
▽ = 0	DRAFT WHERE APPLICABLE MUST REMAIN WITHIN DIMENSIONS	CUSTOMER		
▽ = 0		DOCUMENT NUMBER 349684800		
		DOC TYPE PSD	DOC PART 000	SHEET NUMBER 3 OF 4

molex

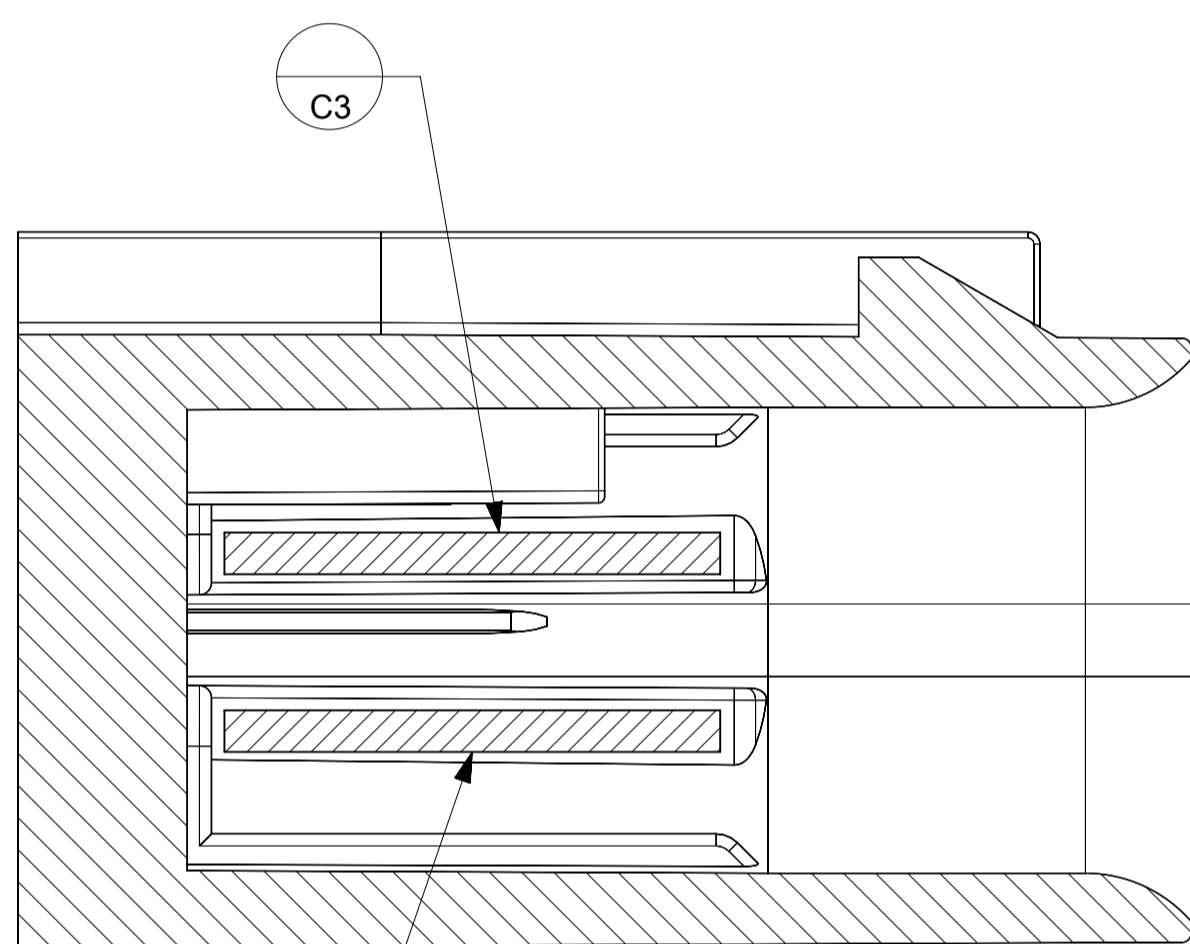
MINI50 SEALED 1X4 INTERFACE

PRODUCT CUSTOMER DRAWING

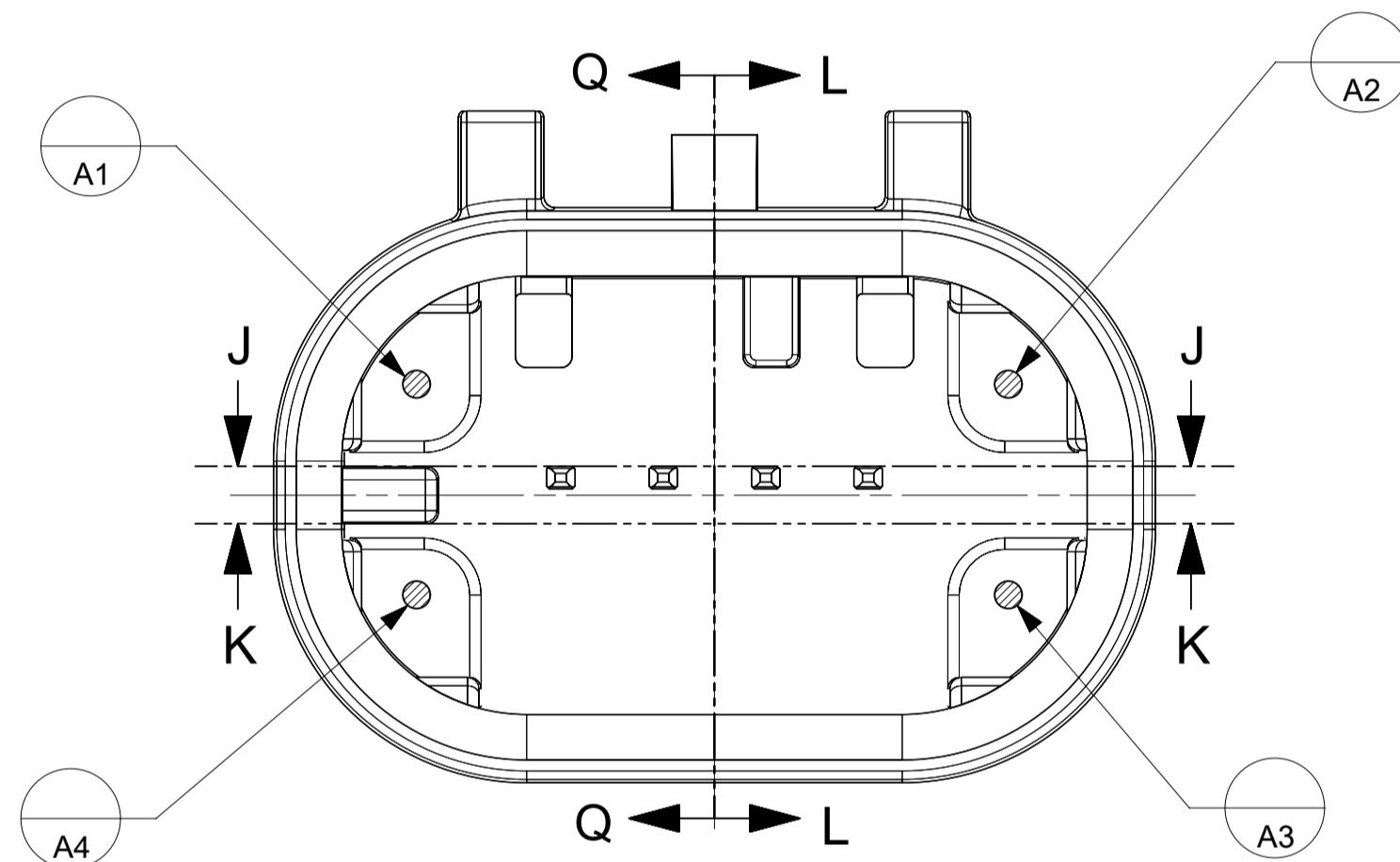
SHEET DESCRIPTION
DATUM TARGETS



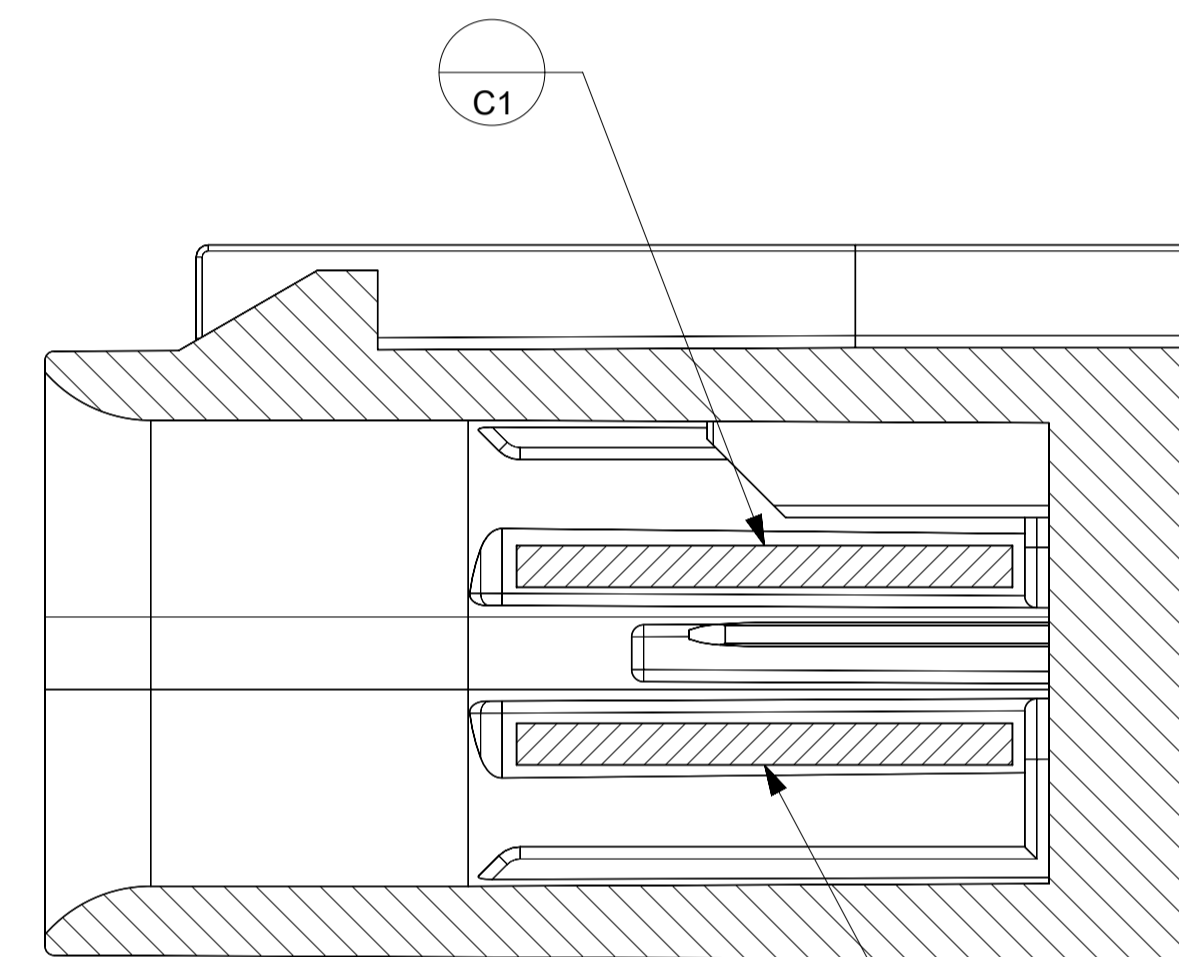
SECTION J-J
SCALE 8:1



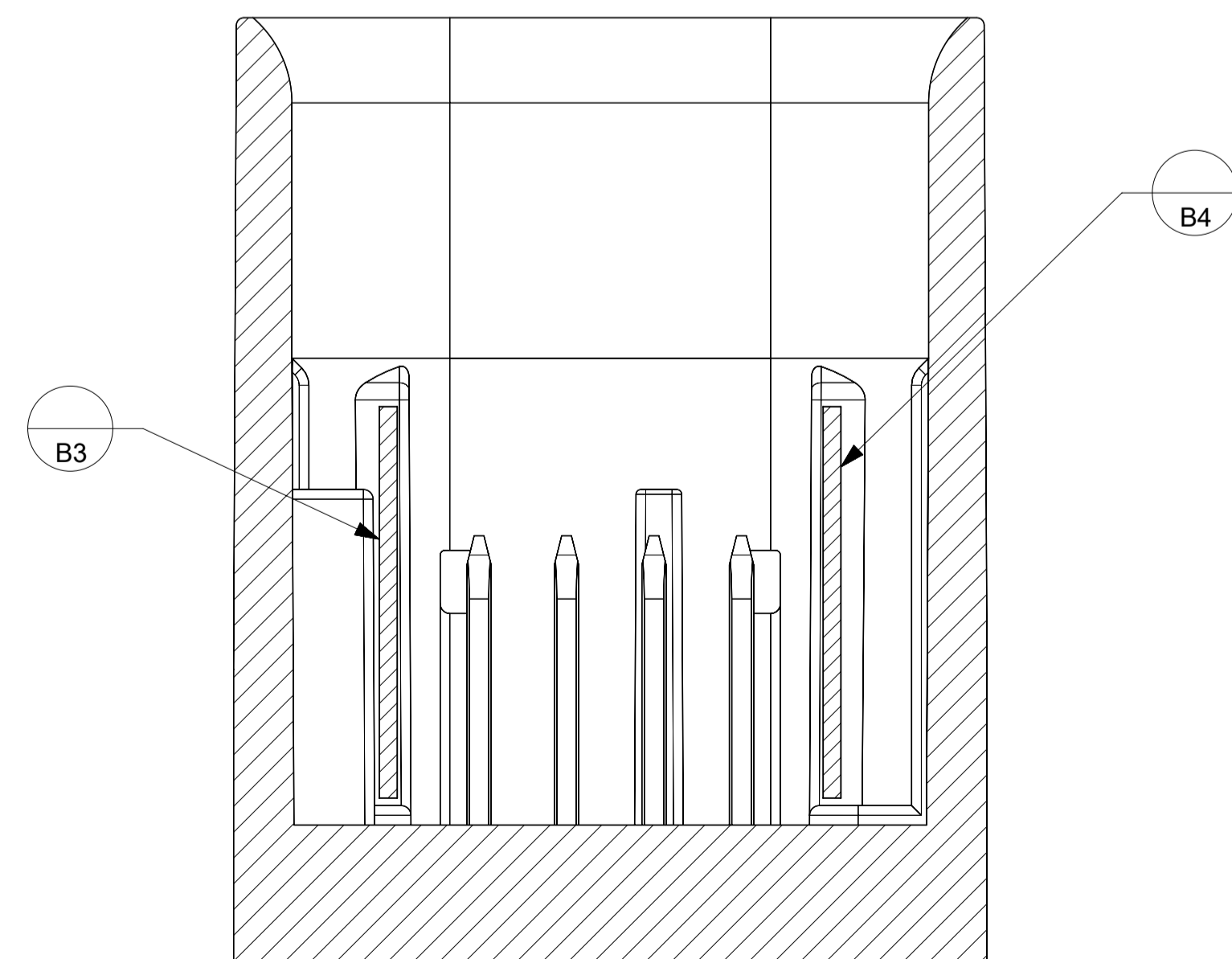
SECTION L-L
SCALE 8:1



SECTION K-K
SCALE 8:1



SECTION Q-Q
SCALE 8:1



THIS DRAWING CONTAINS INFORMATION THAT IS PROPRIETARY TO MOLEX ELECTRONIC TECHNOLOGIES, LLC AND SHOULD NOT BE USED WITHOUT WRITTEN PERMISSION														
QUALITY SYMBOLS 	EC NO: 659036 DRWN: ML149 CHKD: JCONDON APPR: JCONDON REV: C4	2021/02/26 2021/03/24 2021/03/24	GENERAL TOLERANCES (UNLESS SPECIFIED)		DIMENSION UNITS	SCALE								
			ANGULAR TOL ± 3.0 °		mm	1:1								
			4 PLACES ±	MNS02	DATE	2016/04/21								
			3 PLACES ±	CHK'D BY	DATE									
			2 PLACES ± 0.1	APPR BY	DATE	KDEKOSKI	2016/05/04	PRODUCT CUSTOMER DRAWING		SERIES		MATERIAL NUMBER		
			1 PLACE ± 0.2	DRAWING SIZE		THIRD ANGLE PROJECTION		34968		SEE CHART		CUSTOMER		
			0 PLACES ±	A1				DOCUMENT NUMBER		DOC TYPE		DOC PART		
			DRAFT WHERE APPLICABLE MUST REMAIN WITHIN DIMENSIONS						349684800		PSD		000	
													SHEET NUMBER	
													4 OF 4	