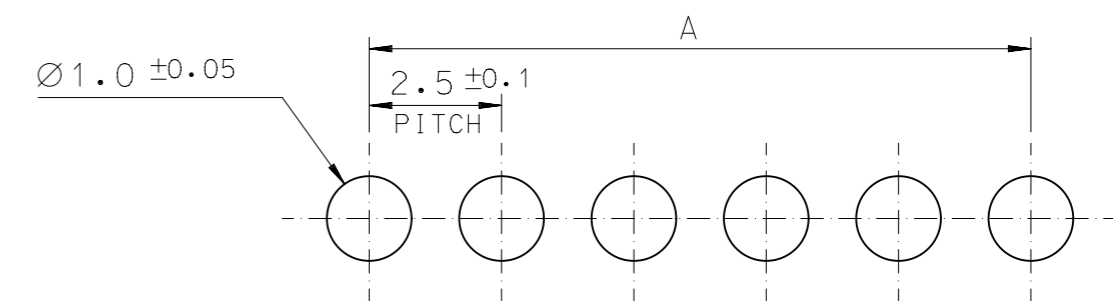
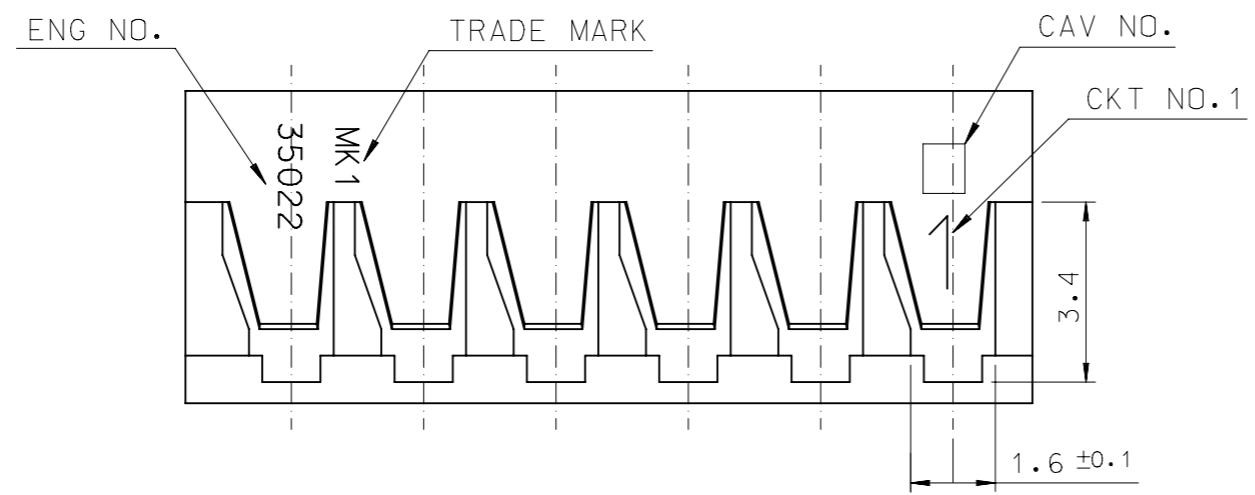
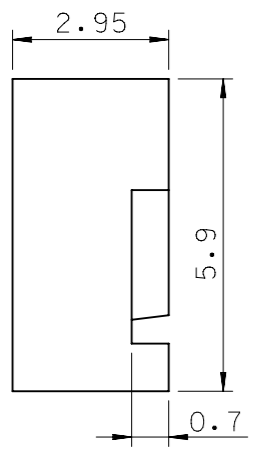
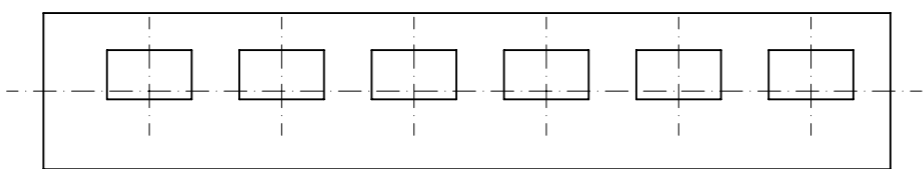


RIGHT ANGLE TYPE

STRAIGHT TYPE



P.C. BOARD LAY OUT
(THK.: 1.6+)



- NOTE.**
- MATERIAL : PA66,UL94V-0
COLOR : IVORY ①
 - PRODUCT SPECIFICATION : PS-35022-003
 - PACKAGING SPECIFICATION : PK-35022-001
 - APPLICABLE TERMINAL
 - R/A : 35021 - 1001/1160
 - ST : 35044 - 9104/9105

				23.5	20.0	-0009	9
41.0	37.5	35022-0016	16	21.0	17.5	-0008	8
38.5	35.0	-0015	15	18.5	15.0	-0007	7
36.0	32.5	-0014	14	16.0	12.5	-0006	6
33.5	30.0	-0013	13	13.5	10.0	-0005	5
31.0	27.5	-0012	12	11.0	7.5	-0004	4
28.5	25.0	-0011	11	8.5	5.0	-0003	3
26.0	22.5	-0010	10	6.0	2.5	35022-0002	2
B	A	ENG NO.	CKT NO.	B	A	ENG NO.	CKT NO.

FUNCTIONAL SYMBOLS ▽A = 0 ▽E = 0 ▽F = 0	THIS DRAWING CONTAINS INFORMATION THAT IS PROPRIETARY TO MOLEX ELECTRONIC TECHNOLOGIES, LLC AND SHOULD NOT BE USED WITHOUT WRITTEN PERMISSION	SCALE 1:1	CURRENT REV DESC:	
	GENERAL TOLERANCES (UNLESS SPECIFIED)	4 PLACES ±	EC NO: 637044	2020/05/06
	ANGULAR TOL ± 1.0°	3 PLACES ± 0.3	DRWN: SCHONG03	2020/05/07
	DIVISIONAL SYMBOLS	2 PLACES ± 0.3	CHK'D: JBJIN	2020/05/12
	1 PLACE ± 0.3	APPR: JBJIN		
	0 PLACES ±	INITIAL REVISION:		
	DRAFT WHERE APPLICABLE MUST REMAIN WITHIN DIMENSIONS	DRWN: RFC_PLMIMP	2018/12/06	
	THIRD ANGLE PROJECTION	APPR: YUNSIKKIM	2010/12/28	
		DRAWING	SERIES	
		A3-SIZE	35022	
		MATERIAL NUMBER	CUSTOMER	
		35022	GENERAL MARKET	
		DOCUMENT NUMBER	DOC TYPE DOC PART REVISION	
		SD-35022-00XX	PSD 001 J1	
		SHEET NUMBER	1 OF 1	