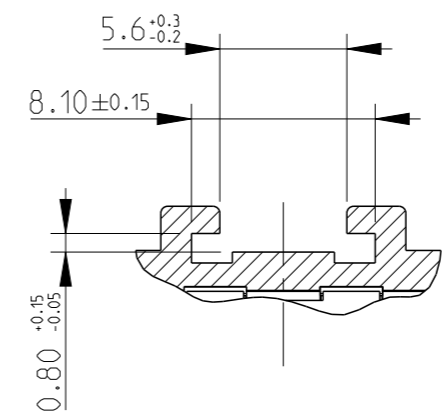
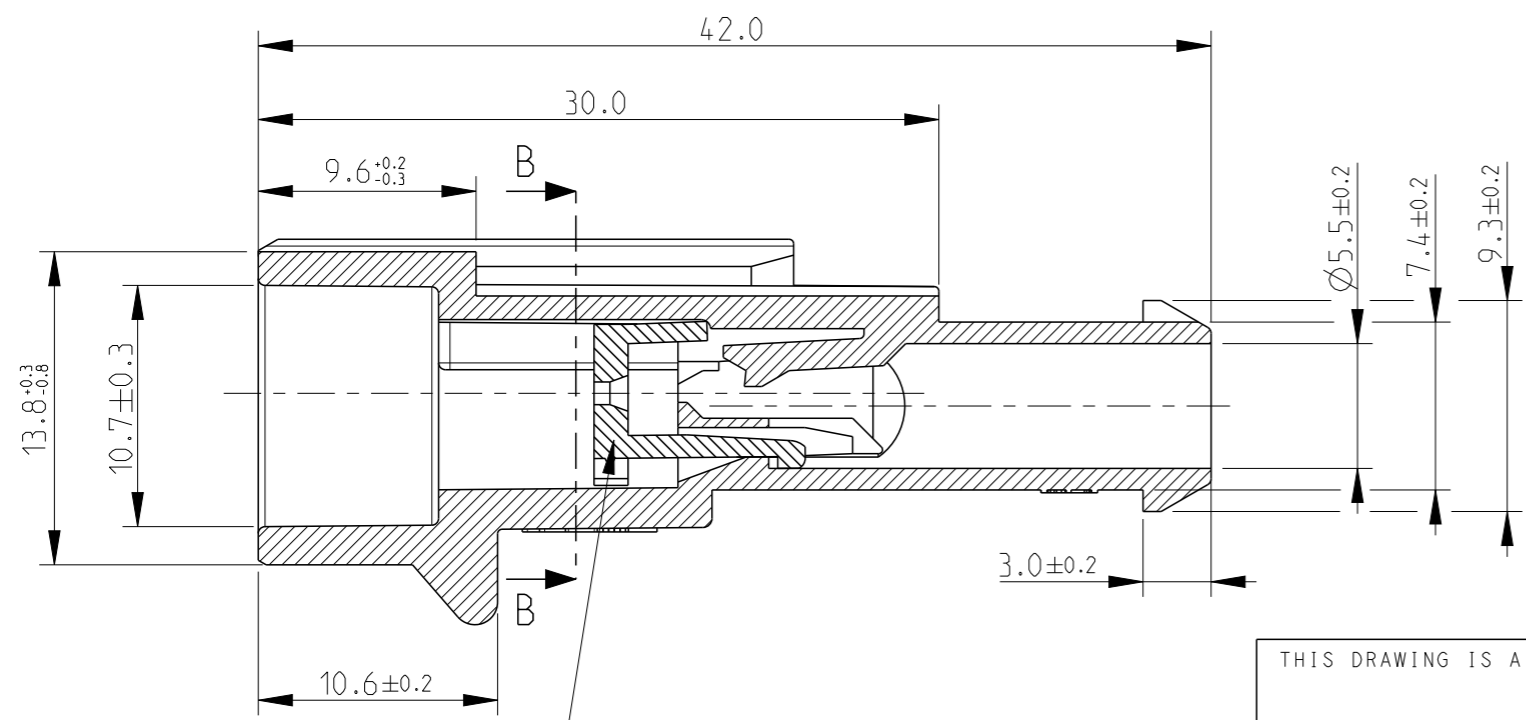
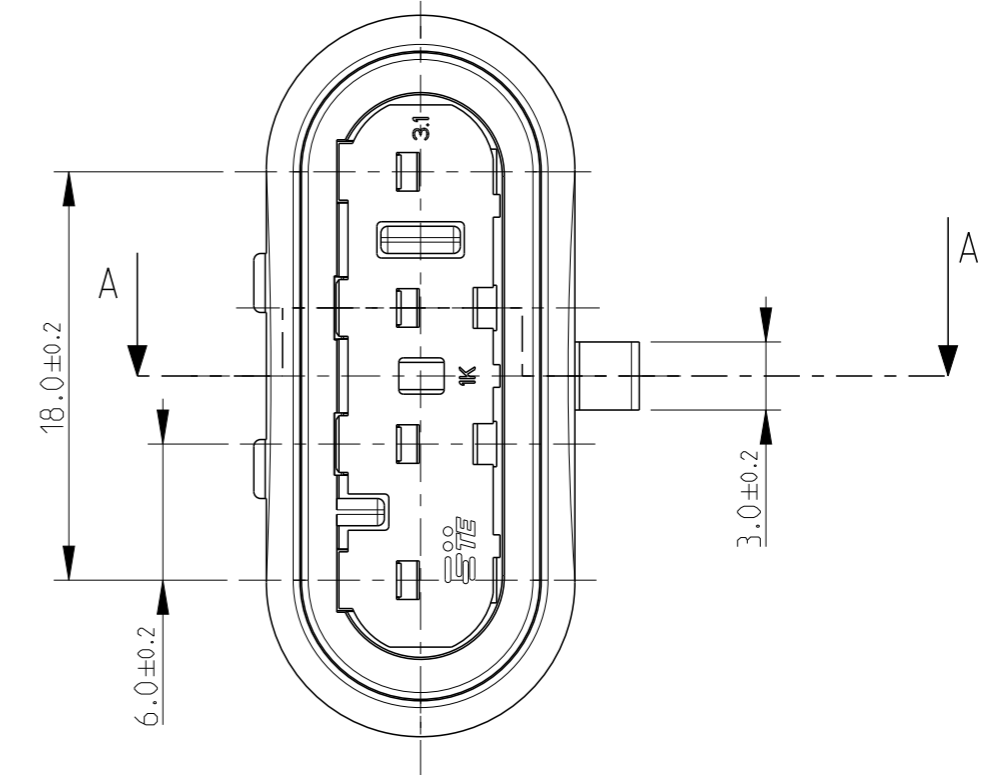
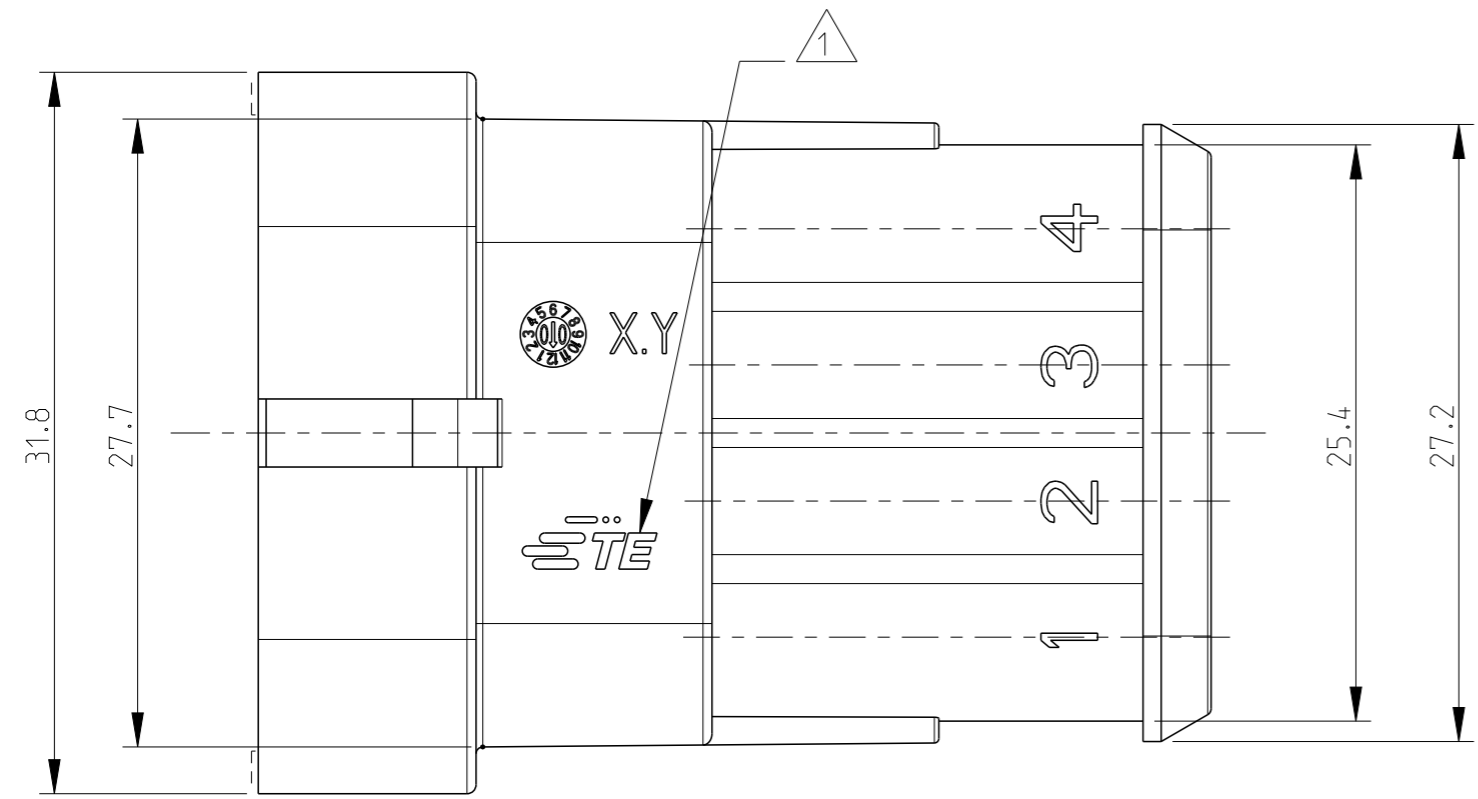


THIS DRAWING IS UNPUBLISHED. RELEASED FOR PUBLICATION 20
 © COPYRIGHT 20 BY - ALL RIGHTS RESERVED.

REVISIONS					
P	LTR	DESCRIPTION	DATE	DWN	APVD
B3		REVISED (ECO-17-009774)	06SEP2017	M.G.	M.G.
B4		REVISED PER ECO-20-002019	12FEB2020	AP	VN



PART. SECTION B-B

BROWN	PA66-GF	B	4-282106-1
GRAY	PA66-GF	B	282106-2
BLACK	PA66-GF	B	282106-1
FINISH/COLOR	MATERIAL	REV	PART NUMBER

△ TE CONNECTIVITY TRADE MARK, (IN ALTERNATIVE: "AMP" LOGO, OR "Tyco Electronics" LOGO)
 △ PRELIMINARY

PRE-ASSEMBLED SECONDARY LOCK (RED COLOR)

THIS DRAWING IS A CONTROLLED DOCUMENT.		DWN 02 - 1990	TE Connectivity	
		CHK 02 - 1990		
DIMENSIONS: mm		APVD -	NAME	
TOLERANCES UNLESS OTHERWISE SPECIFIED:		PRODUCT SPEC 108-20090	AMP SUPERSEAL 1,5 SERIES CONNECTORS 4 POSITIONS TAB ASS'Y	
0 PLC ±	1 PLC ±0.3	APPLICATION SPEC 412-20000	SIZE A3	CAGE CODE -
2 PLC ±	3 PLC ±	WEIGHT 6.14g	DRAWING NO C-282106	RESTRICTED TO
4 PLC ±	ANGLES ±2°	CUSTOMER DRAWING	SCALE 3:1	SHEET 1 OF 2
MATERIAL -	FINISH -			REV B4
SEE TABLE	SEE TABLE			

THIS DRAWING IS UNPUBLISHED.

RELEASED FOR PUBLICATION

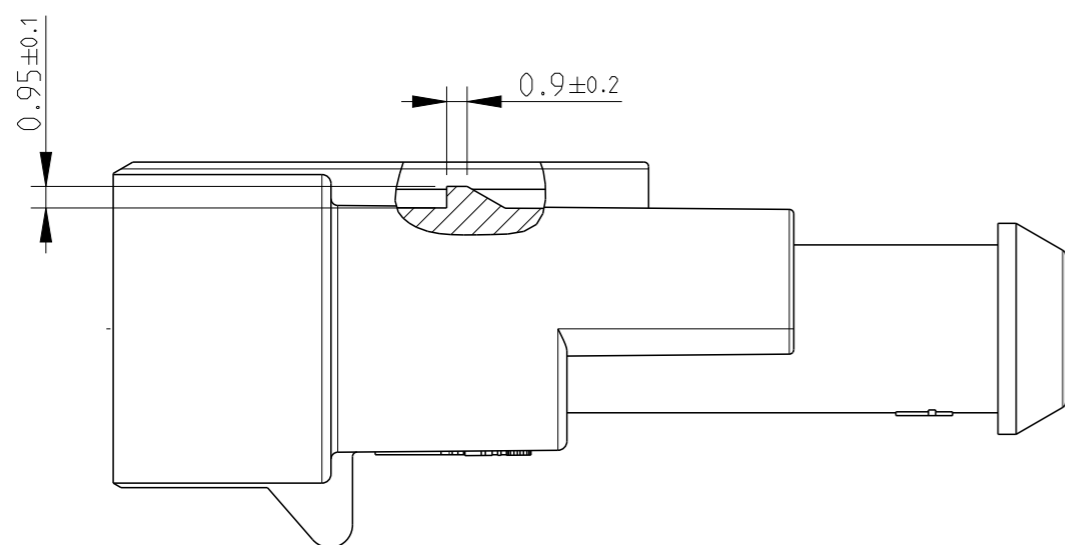
20

© COPYRIGHT 20 BY -

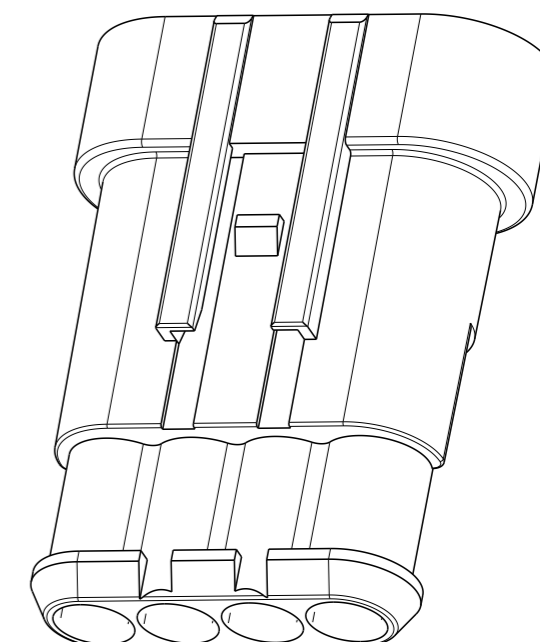
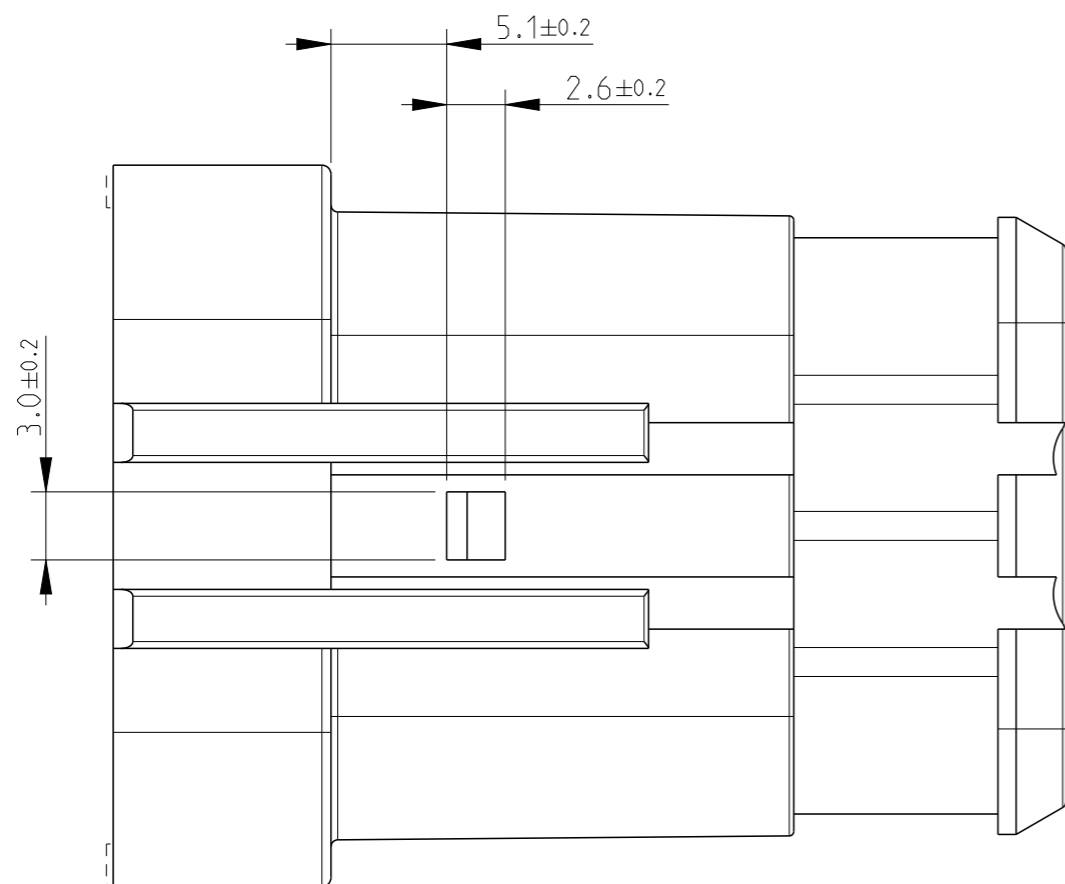
ALL RIGHTS RESERVED.

REVISIONS

P	LTR	DESCRIPTION	DATE	DWN	APVD
-	-	SEE SHEET 1	-	-	-




REFER SHEET 1 FOR MISSING DIMENSIONS



PRELIMINARY

4-282106-1 AS SHOWN

THIS DRAWING IS A CONTROLLED DOCUMENT.		DWN C.BERTINI 02 - 1990	 TE Connectivity	
DIMENSIONS: mm		CHK A.BRUNI 02 - 1990		
TOLERANCES UNLESS OTHERWISE SPECIFIED:		APVD -	NAME AMP SUPERSEAL 1,5 SERIES CONNECTORS 4 POSITIONS TAB ASS'Y	
0 PLC ±- 1 PLC ± 0.3 2 PLC ±- 3 PLC ±- 4 PLC ±- ANGLES ± 2°		PRODUCT SPEC 108-20090	SIZE A3	
MATERIAL - SEE TABLE		APPLICATION SPEC 412-20000	CAGE CODE -	DRAWING NO C=282106
FINISH - SEE TABLE		WEIGHT 6.14g	RESTRICTED TO	
		CUSTOMER DRAWING	SCALE 3:1	SHEET 2 OF 2
			REV B4	