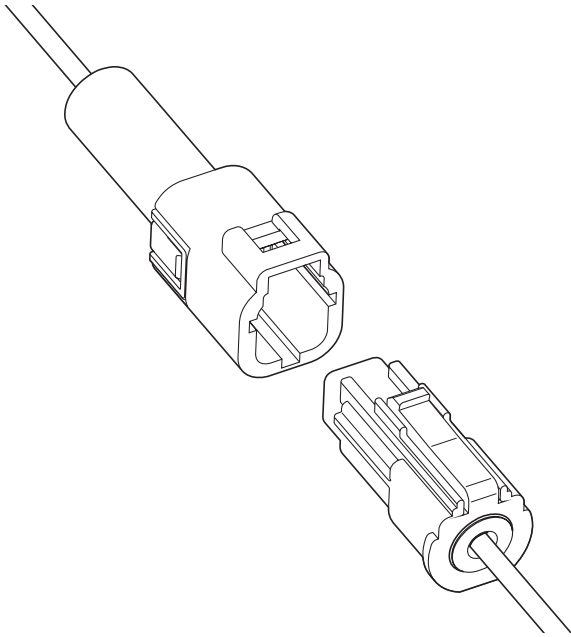




WPK CONNECTOR

Disconnectable Crimp style Wire-to-wire connectors (waterproof type)



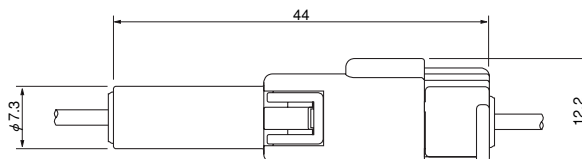
This connector is compact and excels in waterproof and durability. This wire-to-wire connector can be used for the place of which especially waterproof is required. Its waterproof grade is 7 ingress protection of JIS C 0920 (IPX7 of IEC 60529).

- **Waterproof performance**
- **Contained seal ring**
- **Proven contact configuration**
- **Inner-housing lock**
- **Compact design**

Specifications

- Current rating: 7 A AC, DC (0.85 mm²)
 - Voltage rating: 12 V AC, DC
 - Temperature range: -40°C to +105°C
(including temperature rise in applying electrical current)
 - Contact resistance: Initial value/ 5 mΩ max.
After environmental testing/ 10 mΩ max.
 - Insulation resistance: 100 MΩ min.
 - Withstanding voltage: 1,000 VAC/minute
 - Applicable wire: 0.5 to 0.85 mm²
Insulation O.D./1.6 to 1.9 mm
 - Waterproof grade: Grade 7 ingress protection of JIS C 0920 (IPX7 of IEC 60529)
- * Refer to "General Instruction and Notice when using Terminals and Connectors" at the end of this catalog.
* Contact JST for details.
* Compliant with RoHS.

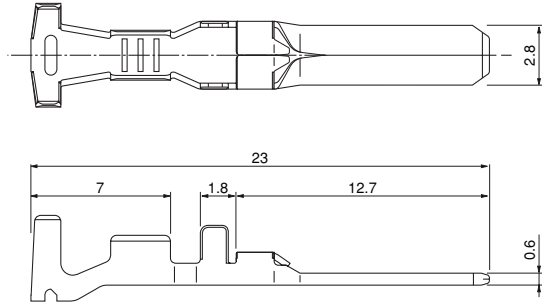
Assembly layout



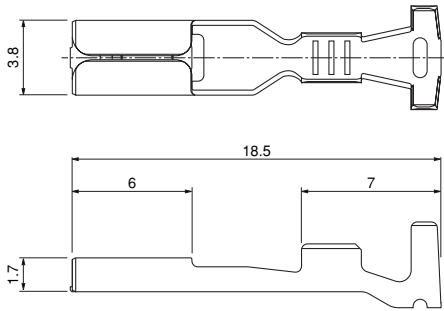
WPK CONNECTOR

Terminal

Male terminal



Female terminal



Model No.		Applicable wire (mm ²)	Insulation O.D. (mm)	Q'ty/ reel
Male terminal	Female terminal			
SWPKP-21T-0.6	SWPKR-21T-0.6	0.5~0.85	1.6~1.9	3,000

Material and Finish

Copper alloy, tin-plated (reflow treatment)

RoHS compliance

Terminal	Crimping machine	Applicator		
		Crimp applicator	Dies	Crimp applicator with dies
SWPKP-21T-0.6	AP-K2N	MKS-L	MK/SWPKP/R-21-06	APLMK SWPKP/R21-06
		—	—	—
SWPKR-21T-0.6		MKS-L	MK/SWPKP/R-21-06	APLMK SWPKP/R21-06
		—	—	—

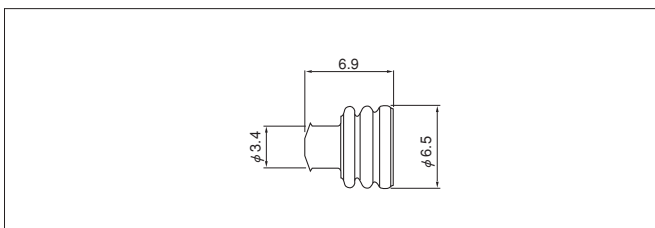
Housing

Material: PBT, black

Circuit	Voltage rating	Current rating	Male housing (for male terminal)		Female housing (for female terminal)	
			01P-WPKH-KN	Q'ty/ box	WPKR-01H-K	Q'ty/ bag
1	12V	7A		100		1,000

RoHS compliance

Wire end seal



Model No.	Rubber inner diameter (mm)	Insulation O.D. (mm)	Q'ty/bag
WPKS-1.3N	1.3	1.6~1.9	1,500

Color	Material
Brown	NBR

RoHS compliance

Note: Contact JST for applicable wire.