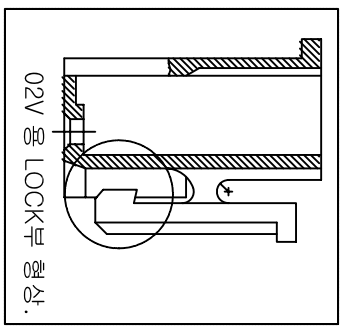
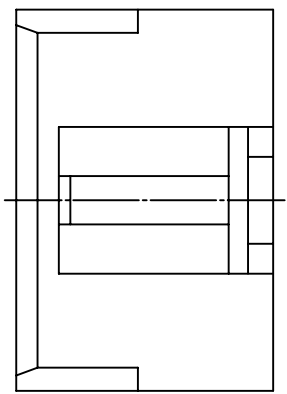
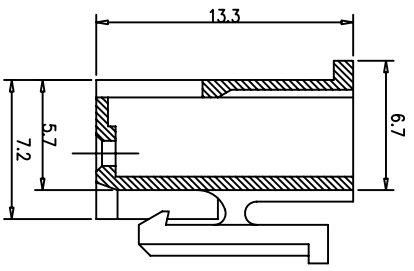
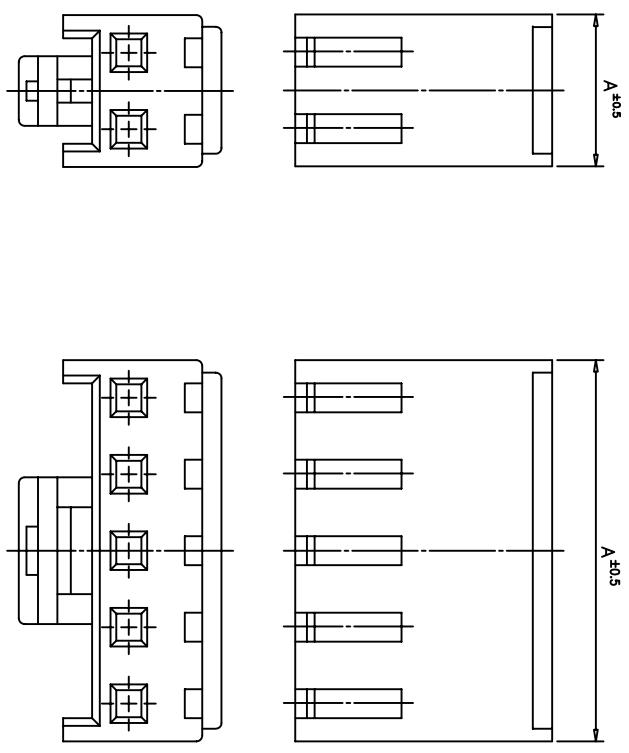
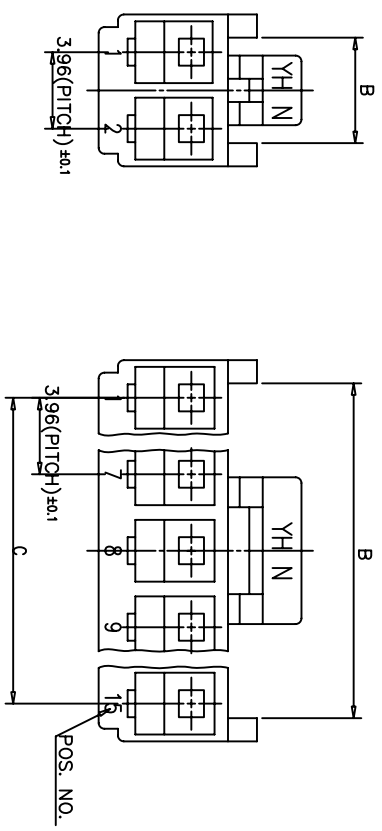


PART NO.	P	A	B	C	REMARK
YH396-02V	2	8.26	5.46	3.96	
YH396-03V	3	12.22	9.42	7.92	
YH396-04V	4	16.08	13.38	11.88	
YH396-05V	5	20.54	17.34	15.84	
YH396-06V	6	24.10	21.30	19.80	
YH396-07V	7	28.06	25.26	23.76	
YH396-08V	8	32.02	29.22	27.72	
YH396-09V	9	35.98	33.18	31.68	
YH396-10V	10	39.94	37.14	35.64	
YH396-11V	11	43.90	41.10	39.60	
YH396-12V	12	47.86	45.06	43.56	
YH396-13V	13	51.82	49.02	47.52	
YH396-14V	14	55.78	52.98	51.48	
YH396-15V	15	59.74	56.94	55.44	



1	HOUSING	PA66	UL 94 V
I/NO	DESCRIPTION	MATERIAL	QTY
TITLE			
YH396-NNV			

REVISION RECORD			
LTR	DR	CHK	ECN
본 도면은 인쇄전자의 지적재산이므로 영의 COPY 및 배포를 금합니다			

SCALE	DRAWN	DESIGN	CHECK	APPD	SIZE	DWG. NO	REV
5/1					A2	YH396-00V-S	01