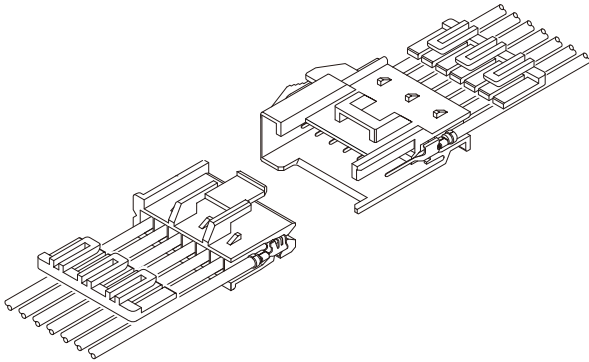


# XM CONNECTOR

2.5mm pitch/Crimp style wire-to-wire connectors



**The retainer provides added protection against non-insertion or disconnection.**

- Inner-housing lock
- Secondary retainers
- Housing lance
- Mountable on a variety of panels
- Contacts smoothly insert into the housings without colliding with internal obstacles

## Specifications

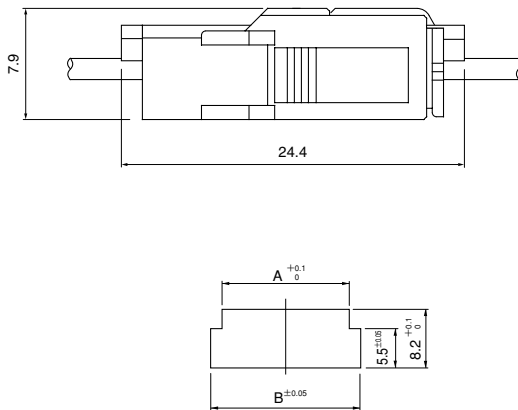
- Current rating: 3A AC, DC max.
- Voltage rating: 250V AC, DC max.
- Temperature range: -25°C to +85°C (including temperature rise in applying electrical current)
- Contact resistance: Initial value/10m Ω max. After environmental testing/20m Ω max.
- Insulation resistance: 500M Ω min.
- Withstanding voltage: 1,500V AC/minute
- Applicable wire: AWG #28 to #20  
0.08 to 0.50mm<sup>2</sup>
- Applicable panel thickness: 0.5 to 1.8mm
- \* Compliant with RoHS.
- \* Refer to "General Instruction and Notice when using Terminals and Connectors" at the end of this catalog.
- \* Contact JST for details.

## Standards

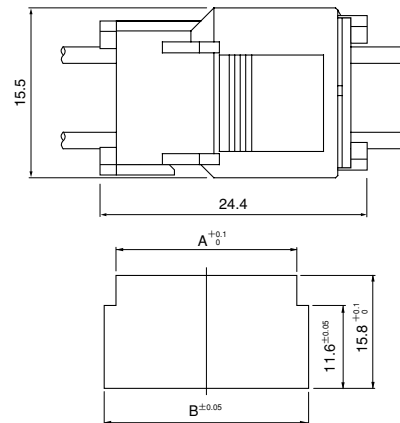
- Ⓜ Recognized E60389
- Ⓢ Certified LR20812

## Panel Layout and Assembly layout

(2 to 12 circuits)



(18 circuits)



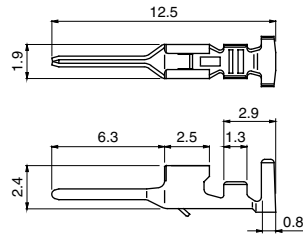
Circuits	Receptacle housing	Panel hole dimensions (mm)		General tolerance	Applicable panel thickness (mm)
		A <sup>+0.1/0</sup>	B <sup>±0.05</sup>		
2	XMR-02V	9.3	12.6	0.5~1.8	
3	XMR-03V	10.3	13.6		
4	XMR-04V	12.8	16.1		
5	XMR-05V	15.3	18.6		
6	XMR-06V	17.8	21.1		
7	XMR-07V	20.3	23.6		
8	XMR-08V	22.8	26.1		
9	XMR-09V	25.3	28.6		
10	XMR-10V	27.8	31.1		
11	XMR-11V	30.3	33.6		
12	XMR-12V	32.8	36.1		
18	XMR-18V	25.3	28.6		

Note: 1. Punch holes in the panel according to the sketch and table shown above. Burrs must be removed.  
 2. The strength of the panel must be considered when punching two or more holes.  
 3. The connector must be inserted from the same side as the hole is punched.

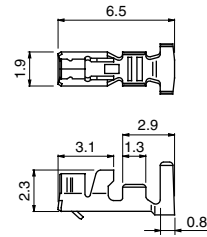
# XM CONNECTOR

## Contact

### Pin contact



### Socket contact



Model No.		Applicable wire		Insulation O.D. (mm)	Q'ty / reel	
Pin contact	Socket contact	mm <sup>2</sup>	AWG #		Pin contact	Socket contact
<b>SXM-001T-P0.6</b>	<b>SXA-001T-P0.6</b>	0.08~0.33	28~22	0.8~1.9	7,000	8,000
<b>*SXM-01T-P0.6</b>	<b>SXA-01T-P0.6</b>	0.22~0.50	24~20	1.5~1.9	7,000	8,000
—	<b>SXA-001T-P0.6L</b>	0.13~0.33	26~22	1.3~1.9	—	8,000

### Material and Finish

Phosphor bronze, tin-plated (reflow treatment)

### RoHS compliance

Note: 1. Contact JST for special products.

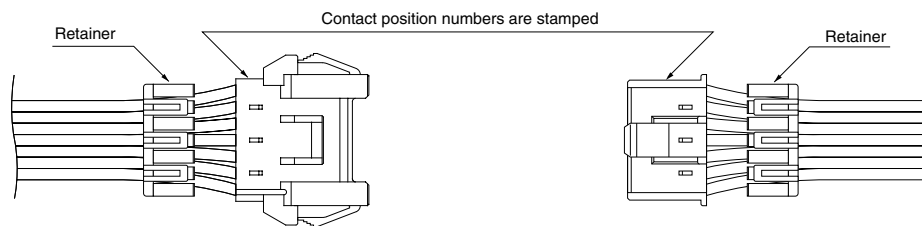
2. \*Marked product is not UL/CSA approved.

Contact	Crimping machine	Applicator		
		Crimp applicator	Dies	Crimp applicator with dies
<b>SXM-001T-P0.6</b>	AP-K2N	MKS-L	MK/SXA/M-001-06	APLMK SXA/M001-06
		*MKS-SC	SC/SXA/M-001-06	APLSC SXA/M001-06
<b>SXM-01T-P0.6</b>		MKS-L	MK/SXA/M-01-06	APLMK SXA/M01-06
		*MKS-SC	SC/SXA/M-01-06	APLSC SXA/M01-06

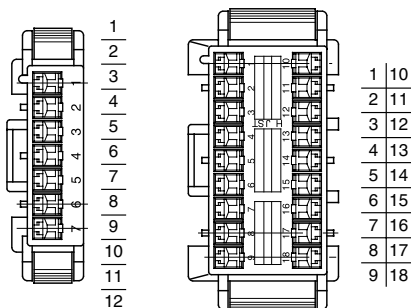
Note: \*Strip-crimp applicator

Contact	Crimping machine	Applicator		
		Crimp applicator	Dies	Crimp applicator with dies
<b>SXA-001T-P0.6</b>	AP-K2N	MKS-L	MK/SXA/M-001-06	APLMK SXA/M001-06
		*MKS-SC	SC/SXA/M-001-06	APLSC SXA/M001-06
<b>SXA-01T-P0.6</b>		MKS-L	MK/SXA/M-01-06	APLMK SXA/M01-06
		*MKS-SC	SC/SXA/M-01-06	APLSC SXA/M01-06
<b>SXA-001T-P0.6L</b>	MKS-L	MK/SXA-001-06L	APLMK SXA001-06L	
	*MKS-SC	SC/SXA-001-06L	APLSC SXA001-06L	

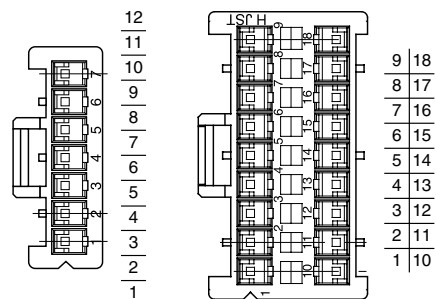
## Contact position location numbers



### Receptacle housing

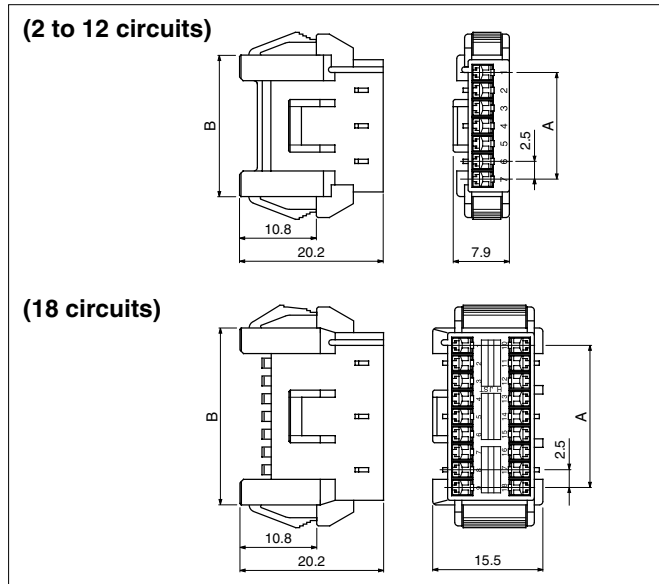


### Plug housing



# XM CONNECTOR

## Receptacle housing (for Pin contact)

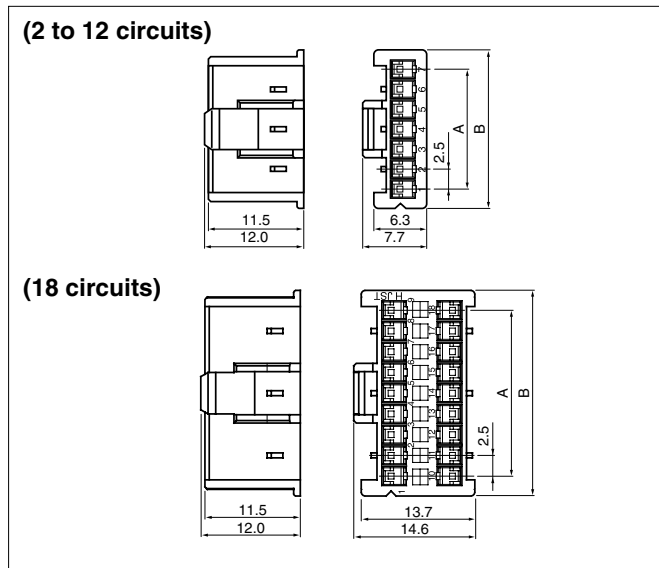


Circuits	Model No.	Dimensions (mm)		Q'ty / bag
		A	B	
2	<b>XMR-02V</b>	2.5	8.9	1,000
3	<b>XMR-03V</b>	5.0	9.9	1,000
4	<b>XMR-04V</b>	7.5	12.4	500
5	<b>XMR-05V</b>	10.0	14.9	500
6	<b>XMR-06V</b>	12.5	17.4	500
7	<b>XMR-07V</b>	15.0	19.9	500
8	<b>XMR-08V</b>	17.5	22.4	500
9	<b>XMR-09V</b>	20.0	24.9	500
10	<b>XMR-10V</b>	22.5	27.4	500
11	<b>XMR-11V</b>	25.0	29.9	500
12	<b>XMR-12V</b>	27.5	32.4	500
18	<b>XMR-18V</b>	20.0	24.9	500

**Material**  
PA 66, UL94V-0

**RoHS compliance**  
Note: Receptacle housings without panel lock device are also available for 2, 3, 4, 6, 7, 8 and 9 circuits.

## Plug housing (for Socket contact)

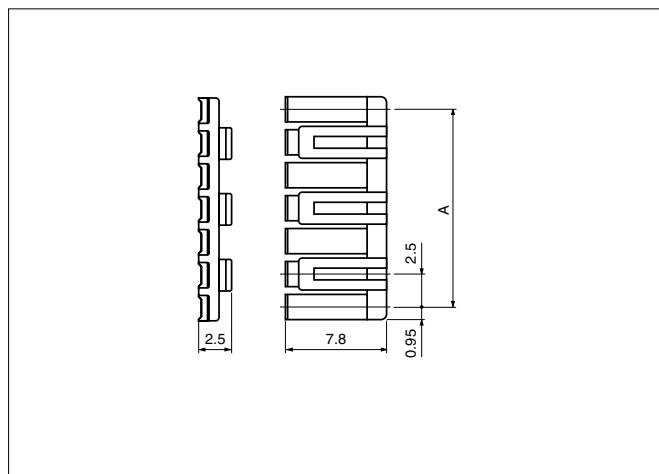


Circuits	Model No.	Dimensions (mm)		Q'ty / bag
		A	B	
2	<b>XMP-02V</b>	2.5	8.8	1,000
3	<b>XMP-03V</b>	5.0	9.8	1,000
4	<b>XMP-04V</b>	7.5	12.3	1,000
5	<b>XMP-05V</b>	10.0	14.8	500
6	<b>XMP-06V</b>	12.5	17.3	500
7	<b>XMP-07V</b>	15.0	19.8	500
8	<b>XMP-08V</b>	17.5	22.3	500
9	<b>XMP-09V</b>	20.0	24.8	500
10	<b>XMP-10V</b>	22.5	27.3	500
11	<b>XMP-11V</b>	25.0	29.8	500
12	<b>XMP-12V</b>	27.5	32.3	500
18	<b>XMP-18V</b>	20.0	24.8	500

**Material**  
PA 66, UL94V-0

**RoHS compliance**

## Retainer



Circuits	Model No.	Dimensions A (mm)	Q'ty / bag
2	<b>XMS-02V</b>	2.5	1,000
3	<b>XMS-03V</b>	5.0	1,000
4	<b>XMS-04V</b>	7.5	1,000
5	<b>XMS-05V</b>	10.0	1,000
6	<b>XMS-06V</b>	12.5	1,000
7	<b>XMS-07V</b>	15.0	1,000
8	<b>XMS-08V</b>	17.5	1,000
9 - 18	<b>XMS-09V</b>	20.0	1,000
10	<b>XMS-10V</b>	22.5	1,000
11	<b>XMS-11V</b>	25.0	1,000
12	<b>XMS-12V</b>	27.5	1,000

**Material**  
Glass-filled PA 66, UL94V-0

**RoHS compliance**  
Note: Commonly used for 9-circuit and 18-circuit housings.