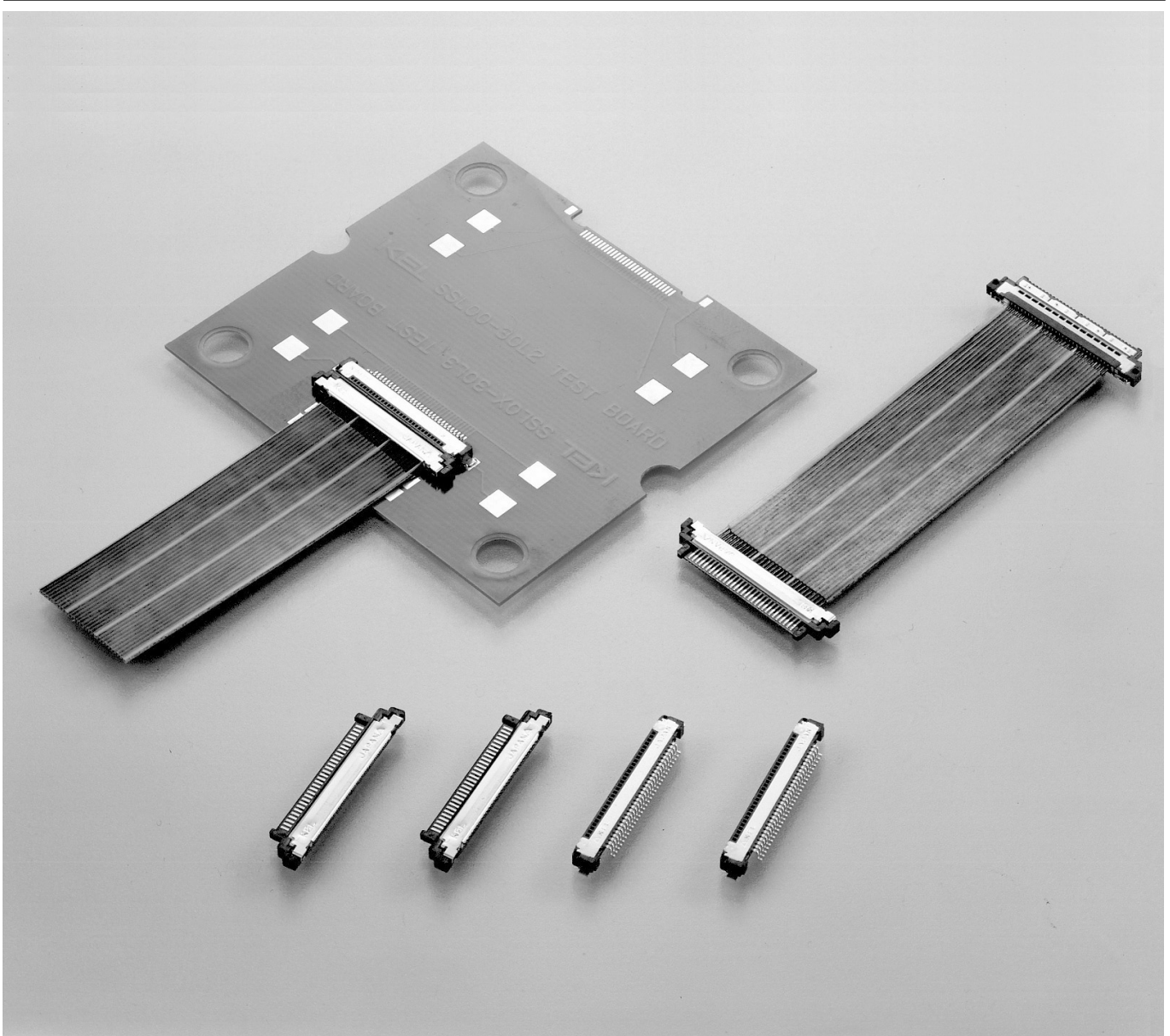
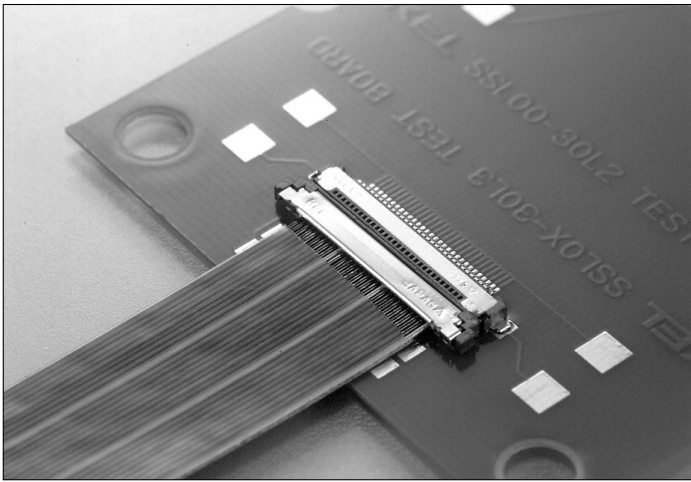


Most Effective Solution for High-Speed Portable Applications
0.5mm Pitch 2 Piece Connector for Micro Coaxial Cable
(Ultra Small Solderless IDC Type)

SSL SERIES





FEATURES

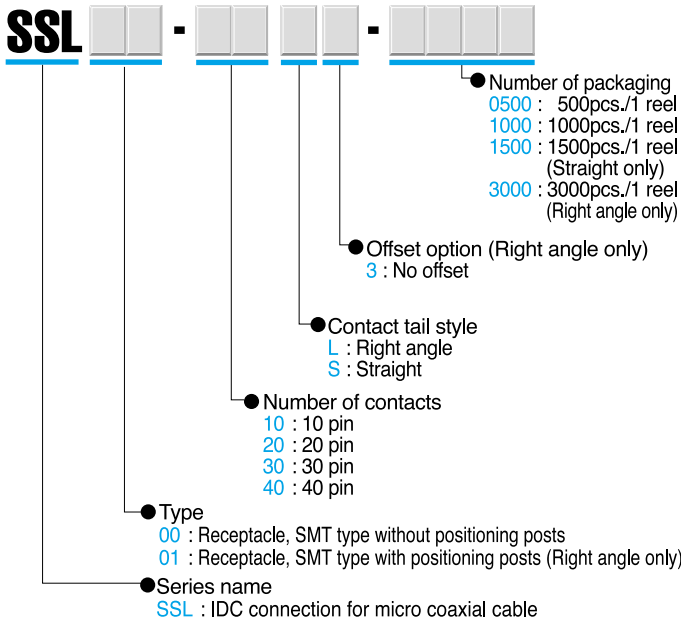
- Ultra low profile with 1.4mm(0.055") height
- 0.5mm pitch 2 piece connector
- Ultimate small design
- Coaxial cable and metal shell on connector provide excellent transmission and EMI protection
- Allows high speed multi-line transmission through narrow tubes and/or hinges
- IDC cable assembly (No solder connection)
- No need for special extracting tools
- RoHS compliance

SPECIFICATIONS

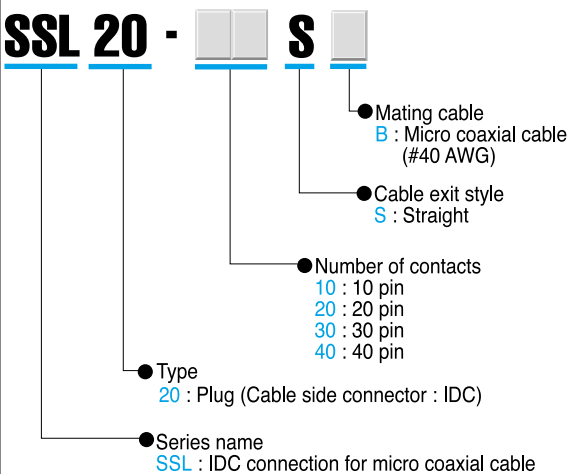
- Insulator material : Glass-filled LCP (UL 94V-0), Black
- Contact material : Copper alloy
- Contact plating : Gold over Nickel
- Shell material : Copper alloy
- Shell plating : Tin copper over Nickel
- Current rating : 0.3A per contact
- Contact resistance : 100mΩ max.
- Dielectric withstanding voltage : 200V AC for 1 minute
- Insulator resistance : 100MΩ min. at 250V DC
- Operating temperature : -40°C to +85°C

*Please contact your local sales office for order less than 500 pcs

ORDER CODE



ORDER CODE

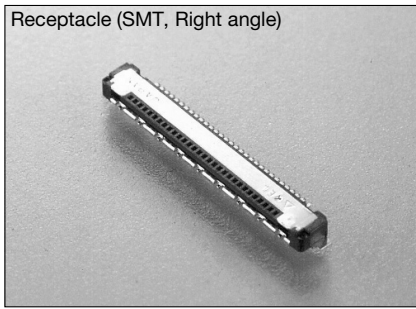


APPLICATIONS

PDA, Cellular phone, PDP, Digital camera, Digital video camera, Note PC, Car navigation, Portable DVD player, Digital TV, Optical printer, Robot, Game machine, Medical equipment, etc.

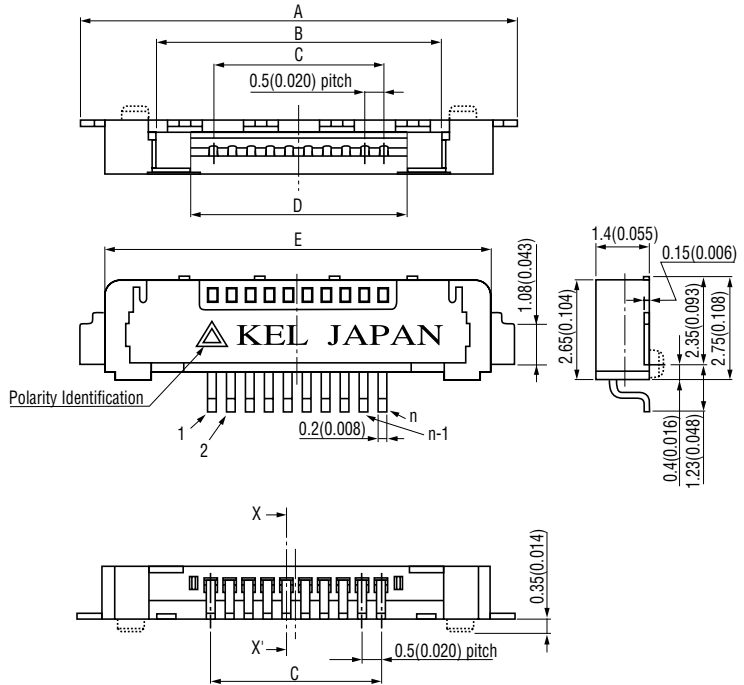
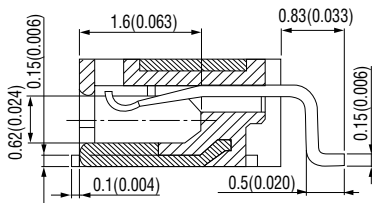
SSL0□-□□L3-□□□□ (Receptacle for No offset, Right angle)

Receptacle (SMT, Right angle)

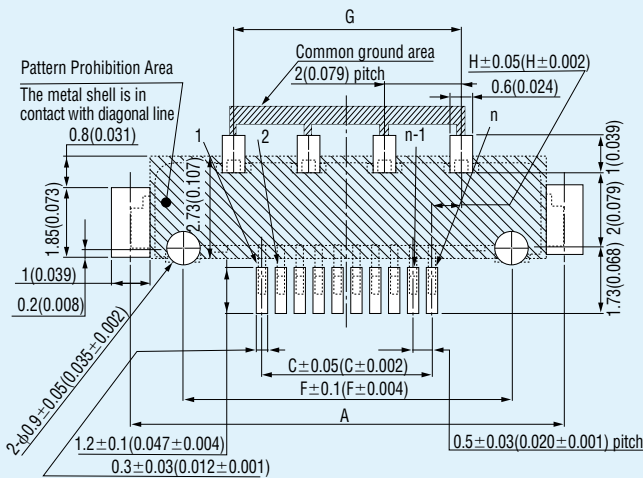


Unit:mm(inch)

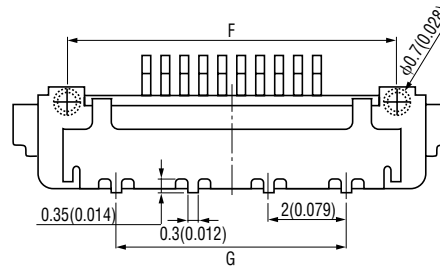
X-X' Cross Section



Recommended Board Layout (Component Side View)



"n" is number of contacts.



■ Ground Installation

No. of contacts	No. of ground
10	4
20	6
30	9
40	11

Packaging style
Embossed tape

■ Product Table

Part Number	Number of packaging
SSL0□-□□L3-0500	500
SSL0□-□□L3-1000	1,000
SSL0□-□□L3-3000	3,000

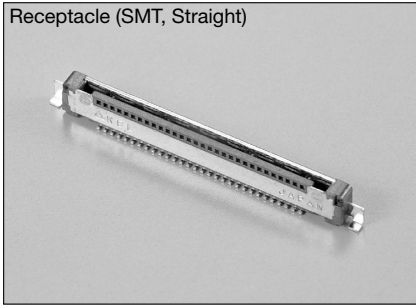
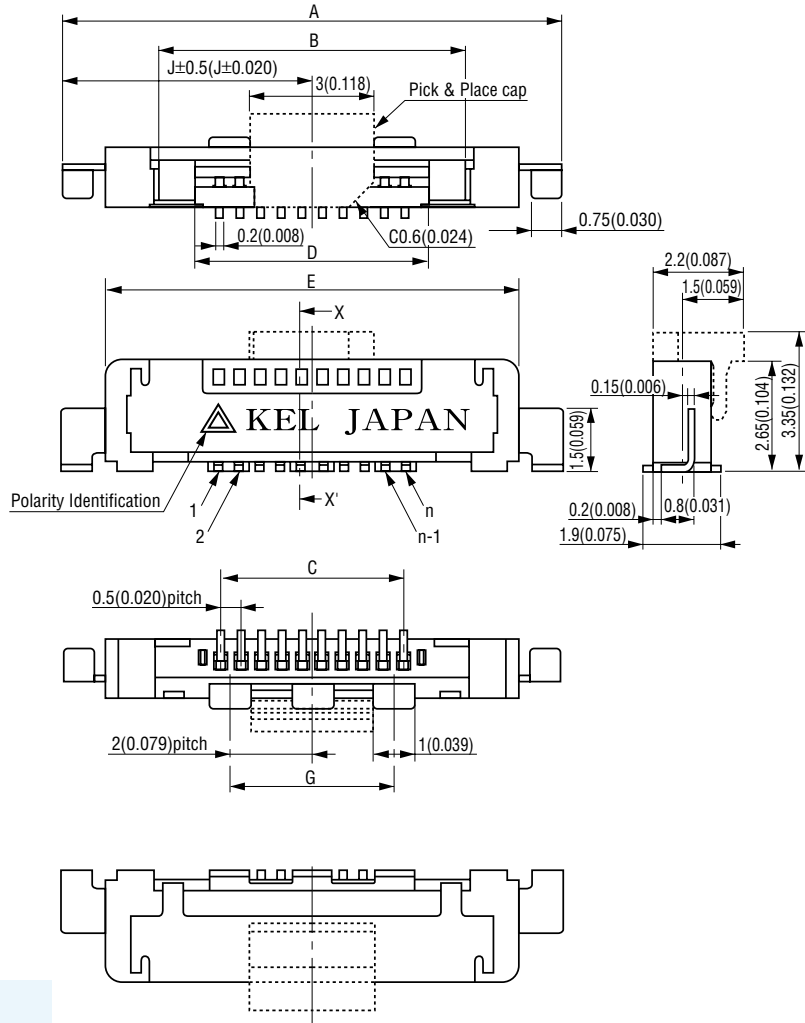
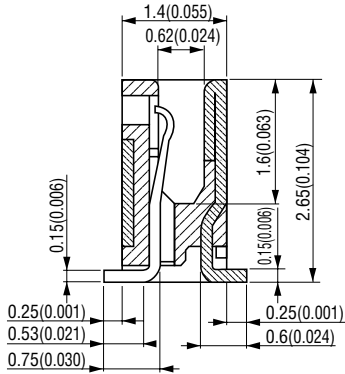
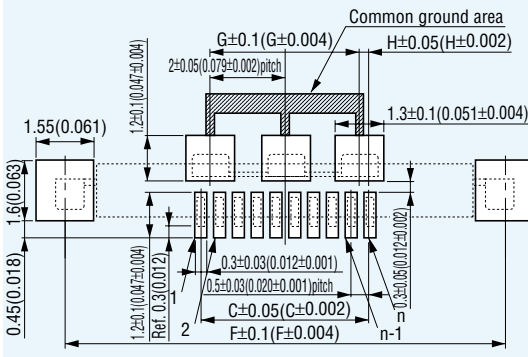
■ Product Table / Dimensions

No. of contacts	Part Number	A	B	C	D	E	F	G	H
10	SSL0□-10L3-□□□□	11.4 (0.449)	7.5 (0.295)	4.5 (0.177)	5.7 (0.224)	10.1 (0.398)	8.6 (0.339)	6.0 (0.236)	0.75 (0.030)
20	SSL0□-20L3-□□□□	16.4 (0.646)	12.5 (0.492)	9.5 (0.374)	10.7 (0.421)	15.1 (0.594)	13.6 (0.535)	10.0 (0.394)	0.25 (0.010)
30	SSL0□-30L3-□□□□	21.4 (0.843)	17.5 (0.689)	14.5 (0.571)	15.7 (0.618)	20.1 (0.791)	18.6 (0.732)	16.0 (0.630)	0.75 (0.030)
40	SSL0□-40L3-□□□□	26.4 (1.039)	22.5 (0.886)	19.5 (0.768)	20.7 (0.815)	25.1 (0.988)	23.6 (0.929)	20.0 (0.787)	0.25 (0.010)

SSL00-□□S-□□□□(Receptacle, Straight)

Unit:mm(inch)

Receptacle (SMT, Straight)


X-X' Cross Section

Recommended Board Layout (Components Side View)


"n" is number of contacts.

Ground Installation

No. of contacts	No. of Ground
10	3
20	5
30	8
40	10

Product Table

Part Number	Number of packaging
SSL00-□□S-0500	500
SSL00-□□S-1000	1,000
SSL00-□□S-1500	1,500

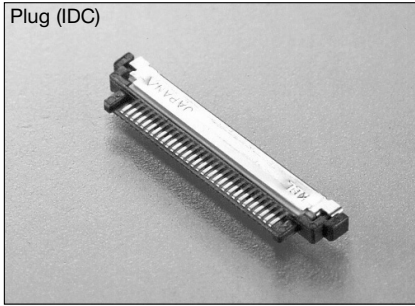
Product Table / Dimensions

No. of contacts	Part Number	A	B	C	D	E	F	G	H	J
10	SSL00-10S-□□□□	12.2 (0.480)	7.5 (0.295)	4.5 (0.177)	5.7 (0.224)	10.1 (0.398)	11.75 (0.463)	4.0 (0.157)	0.25 (0.010)	6.1 (0.240)
20	SSL00-20S-□□□□	17.2 (0.677)	12.5 (0.492)	9.5 (0.374)	10.7 (0.421)	15.1 (0.594)	16.75 (0.659)	8.0 (0.315)	0.75 (0.030)	8.6 (0.339)
30	SSL00-30S-□□□□	22.2 (0.874)	17.5 (0.689)	14.5 (0.571)	15.7 (0.618)	20.1 (0.791)	21.75 (0.856)	14.0 (0.551)	0.25 (0.010)	11.1 (0.437)
40	SSL00-40S-□□□□	27.2 (1.071)	22.5 (0.886)	19.5 (0.768)	20.7 (0.815)	25.1 (0.988)	26.75 (1.053)	18.0 (0.709)	0.75 (0.030)	13.6 (0.535)

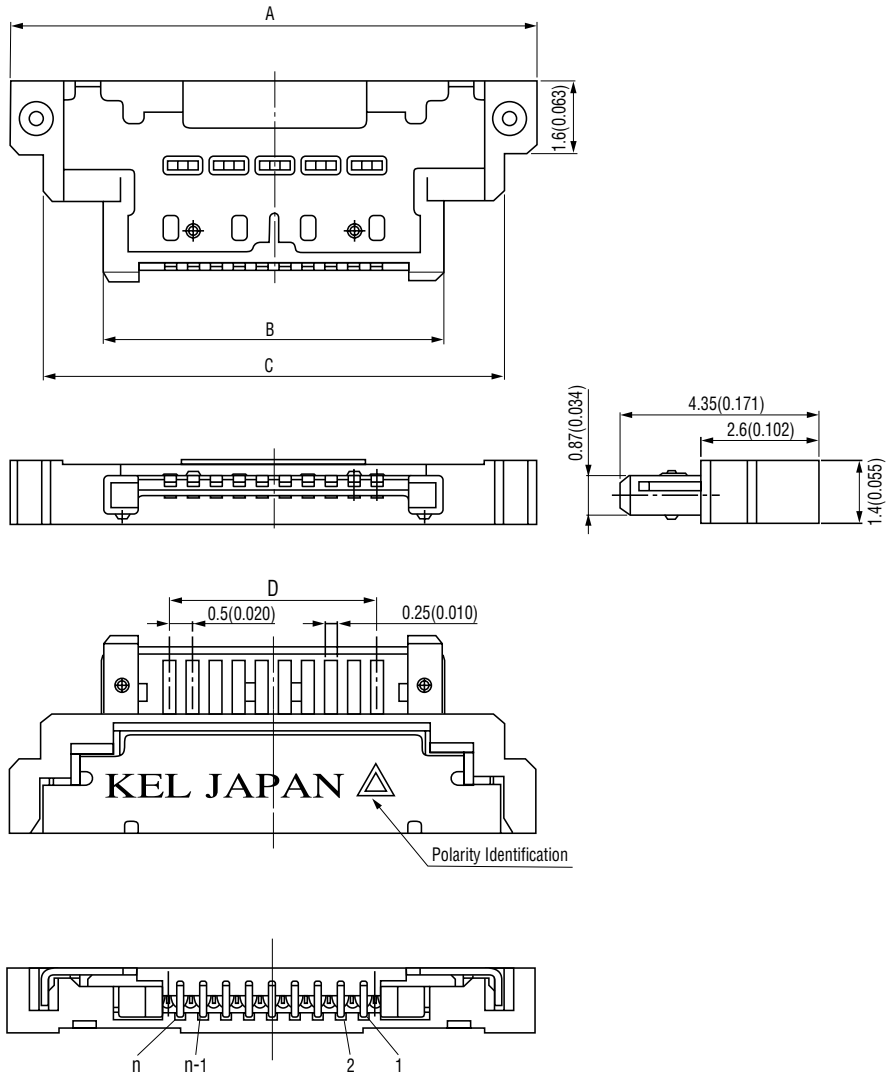
 Packaging style
Embossed tape

SSL20-□□S□ (Plug, IDC)

Plug (IDC)



Unit:mm(inch)



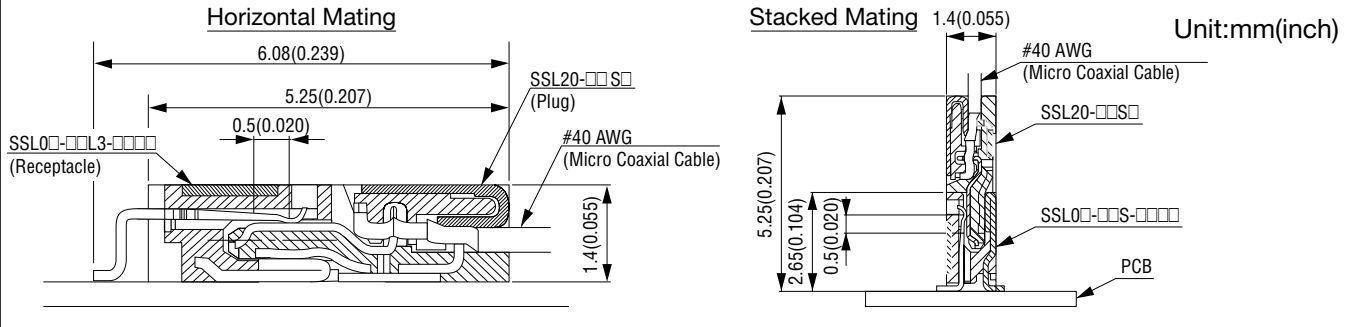
"n" is number of contacts

Packaging style
Tray

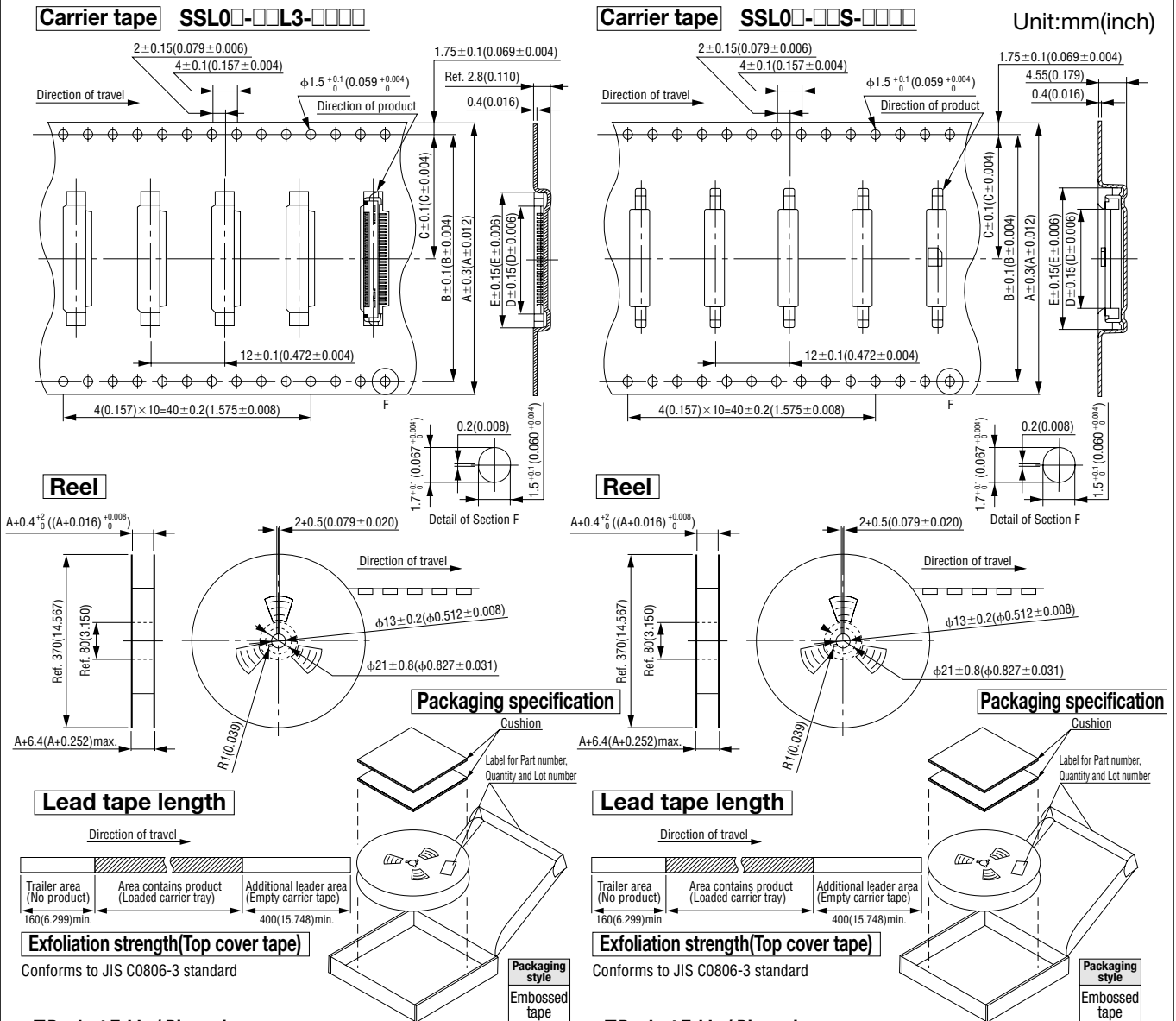
■ Product Table / Dimensions

No. of contacts	Part Number	A	B	C	D	Number of packaging
10	SSL20-10S□	11.5 (0.453)	7.5 (0.295)	10.1 (0.398)	4.5 (0.177)	160
20	SSL20-20S□	16.5 (0.650)	12.5 (0.492)	15.1 (0.594)	9.5 (0.374)	120
30	SSL20-30S□	21.5 (0.846)	17.5 (0.689)	20.1 (0.791)	14.5 (0.571)	100
40	SSL20-40S□	26.5 (1.043)	22.5 (0.886)	25.1 (0.988)	19.5 (0.768)	80

Mating Cross-Section Drawing



Packaging Specification



Product Table / Dimensions

No. of contacts	Part Number	A	B	C	D	E	Number of packaging
10	SSL0-10L3-0000	32.0 (1.260)	28.4 (1.118)	14.2 (0.559)	7.3 (0.287)	11.7 (0.461)	A-17
20	SSL0-20L3-0000	32.0 (1.260)	28.4 (1.118)	14.2 (0.559)	12.3 (0.484)	16.7 (0.657)	
30	SSL0-30L3-0000	44.0 (1.732)	40.4 (1.591)	20.2 (0.795)	17.3 (0.681)	21.7 (0.854)	
40	SSL0-40L3-0000	44.0 (1.732)	40.4 (1.591)	20.2 (0.795)	22.3 (0.878)	26.7 (1.051)	

Product Table / Dimensions

No. of contacts	Part Number	A	B	C	D	E	Number of packaging
10	SSL0-10S-0000	32.0 (1.260)	28.4 (1.118)	14.2 (0.559)	5.6 (0.220)	12.5 (0.492)	A-18
20	SSL0-20S-0000	32.0 (1.260)	28.4 (1.118)	14.2 (0.559)	10.6 (0.417)	17.5 (0.689)	
30	SSL0-30S-0000	44.0 (1.732)	40.4 (1.591)	20.2 (0.795)	15.6 (0.614)	22.5 (0.886)	
40	SSL0-40S-0000	44.0 (1.732)	40.4 (1.591)	20.2 (0.795)	20.6 (0.811)	27.5 (1.083)	

● ORDER CODE

SSL 20- [] SSB- [] . [] - [] ([])

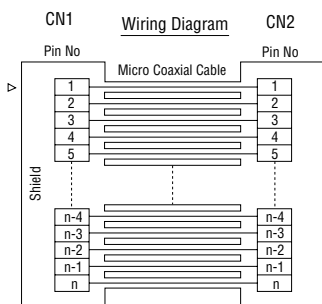
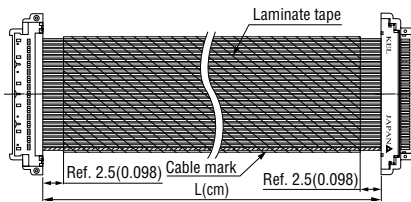
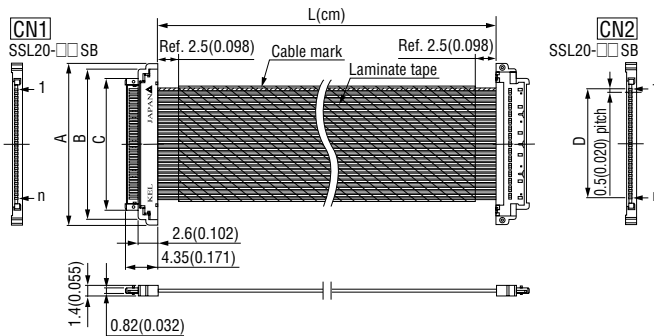
- Series name
SSL : 0.5mm pitch IDC connector for micro coaxial cable (#40 AWG)
- Type
20 : Plug (Cable side connector)
- Number of contacts
10 : 10 pin 30 : 30 pin
20 : 20 pin 40 : 40 pin
- Cable type
B : #40 AWG micro coaxial cable
- Cable length (cm)
L dimension
(Example : 013.5=13.5cm)
- Connector style (Left side, CN1)
S : Straight
- Connector style (Right side, CN2)
S : Straight
- Wiring code
B : Pin 1 to Pin 1
C : Pin 1 to Pin n
- Laminated tape
Omit : Without tape
H : With tape
- Quantity
(B) : 10 to 49pcs
(C) : 50 to 99pcs
(D) : 100pcs or more

*Applicable cable length : 5 to 100cm
Minimum cable length for SSL20- [] [] SSB- [] [] [] [] BH([]) : 7cm

CABLE ASSEMBLY STYLE

Wiring Code : Pin 1 to Pin 1

Unit:mm(inch)

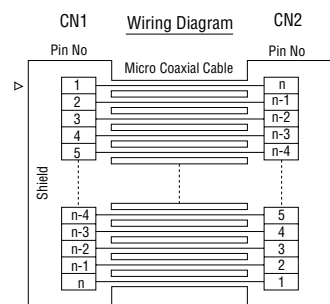
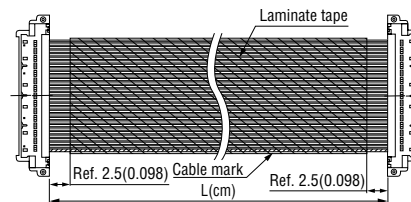
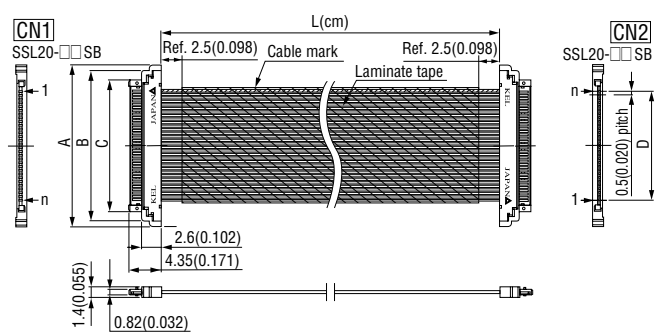


■ Product Table / Dimensions

No. of contacts	Part Number	A	B	C	D
10	SSL20-10SSB- [] [] [] [] B([])	11.5 (0.453)	10.1 (0.398)	7.5 (0.295)	4.5 (0.177)
20	SSL20-20SSB- [] [] [] [] B([])	16.5 (0.650)	15.1 (0.594)	12.5 (0.492)	9.5 (0.374)
30	SSL20-30SSB- [] [] [] [] B([])	21.5 (0.846)	20.1 (0.791)	17.5 (0.689)	14.5 (0.571)
40	SSL20-40SSB- [] [] [] [] B([])	26.5 (1.043)	25.1 (0.988)	22.5 (0.886)	19.5 (0.768)

Wiring Code : Pin 1 to Pin n

Unit:mm(inch)



■ Product Table / Dimensions

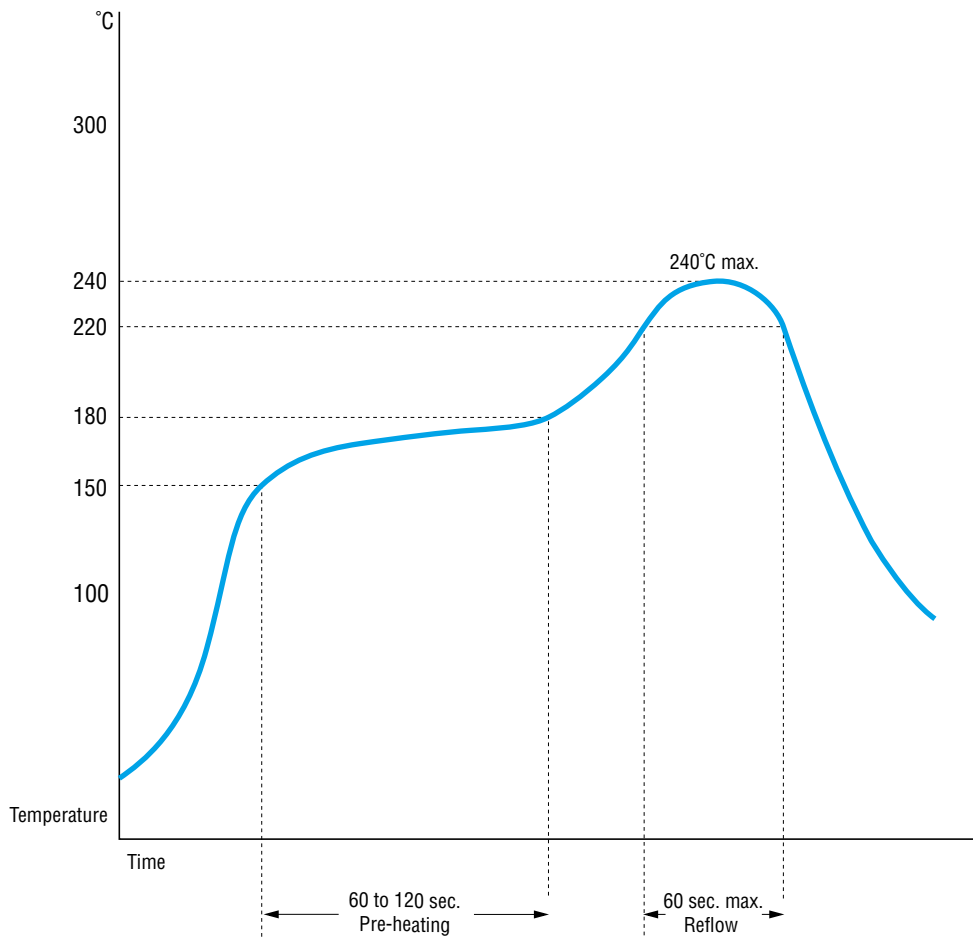
No. of contacts	Part Number	A	B	C	D
10	SSL20-10SSB- [] [] [] [] C([])	11.5 (0.453)	10.1 (0.398)	7.5 (0.295)	4.5 (0.177)
20	SSL20-20SSB- [] [] [] [] C([])	16.5 (0.650)	15.1 (0.594)	12.5 (0.492)	9.5 (0.374)
30	SSL20-30SSB- [] [] [] [] C([])	21.5 (0.846)	20.1 (0.791)	17.5 (0.689)	14.5 (0.571)
40	SSL20-40SSB- [] [] [] [] C([])	26.5 (1.043)	25.1 (0.988)	22.5 (0.886)	19.5 (0.768)

*Please contact your local sales office for inquiries regarding cable length and tolerance.

*Laminated tape is designed to be a little wider than the cable width. Please contact your local sales office for further details.

Recommended Soldering Conditions (SMT type)

- Soldering Iron : 360°C or lower, 3 sec. max.
- Solder flux should be applied to PCB and not to contact tails.
- Recommended stencil thickness for solder paste is 0.15mm (0.006")
- Recommended temperature profile for IR reflow as the follows:



Note: Flux should be applied to PCB not connector tails.