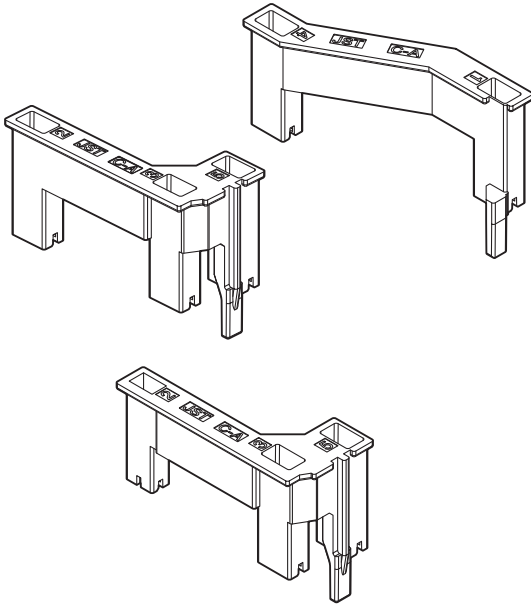




IS CONNECTOR

Connectors for Infinite Switch



- **Easy insertion, positive locking**

The combination of terminal and housing allows easy mating to a male tab. Un-mating is equally easy. Simply hold the housing and pull. The contact locking spring is depressed by the taper inside the housing. The locking mechanism prevents accidental disengagement of the contact from the mating tab.

- **Ultra low insertion force**

The contact is designed as a low insertion force with a large contact area to give stable performance, even when high current is applied.

- **Contact back out preventive design**

Innovative contact and housing design eliminates contact back out caused due to damaged locking lances during termination and harness assembly.

- **Polarizing rib**

Polarizing ribs in the housing eliminate miss mating of the housings.

Specifications

- Current rating: 20 A AC, DC max. (AWG #12)
- Voltage rating: 250 V AC, DC max.
- Temperature range: -40°C to +105°C
(including temperature rise in applying electrical current)
- Contact resistance: Initial value/ 3 mΩ max.
After environmental tests/ 6 mΩ max.
- Insulation resistance: 1,000 MΩ min.
- Withstanding voltage: 2,000 VAC/minute
- Applicable wire: AWG #22 to #12
- Applicable tab: 0.8 mm thick

* Refer to "General Instruction and Notice when using Terminals and Connectors" at the end of this catalog.

* Contact JST for details.

* Compliant with RoHS.

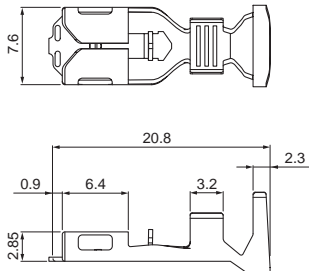
Standards

Recognized E60389

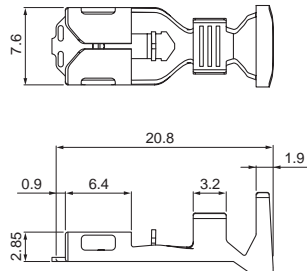
Contact

SRSF Series

SRSF-21()-250A

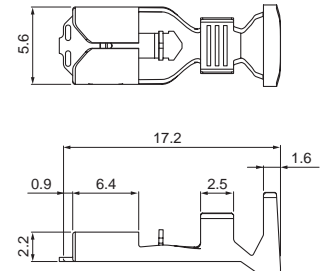


SRSF-61()-()250A

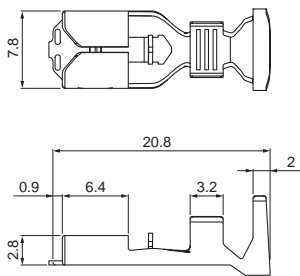


SPS Series

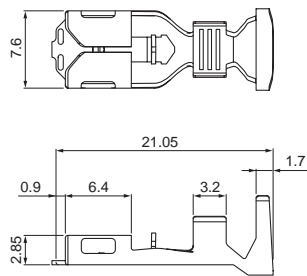
SPS-51T-187-8



SRSF-91()-250AS



<Double wire crimp> SRSF-82()-250A



Contact

Model No.	Applicable wire		Insulation O.D.(mm)	Material	Surface finish	Q'ty/reel
	mm ²	AWG #				
SRSF-21-250A	0.32~0.82	22~18	2.5~3.0	Barss	—	5,000
SRSF-21T-250A					Tin-plated	
SRSF-61-250A	0.82~2.08	18~14	3.0~3.9	Barss	—	5,000
SRSF-61T-250A					Tin-plated	
SRSF-61AT-M250A				Copper alloy	Tin-plated	
SRSF-91-250AS	2.08~3.30	14~12	3.9~4.4	Barss	—	5,000
SRSF-91T-250AS					Tin-plated	
SRSF-82-250A	0.82+0.82, 1.31+1.31, 1.31+0.52, 1.31+2.08	18+18, 16+16, 16+20, 16+14	3.0+3.0, 3.4+3.4, 3.4+2.5, 3.4+3.9	Barss	—	5,000
SRSF-82T-250A					Tin-plated	
SPS-51T-187-8	0.52~2.0, 0.52+0.52	20~14, 20+20	1.9~3.6, 2.54+2.54	Barss	Tin-plated	7,500

RoHS compliance

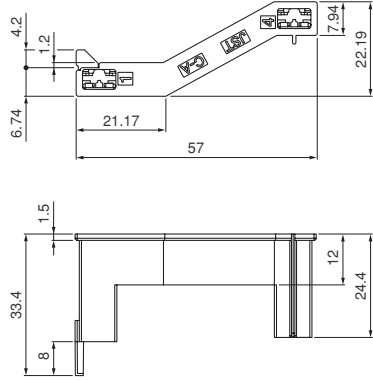
Contact	Applicator	
	Crimp applicator	Dies set
SRSF-21()-250A	MK-L-SPS	MKDSSPS21250
SRSF-61()-()250A		MKDSSPS61250
SRSF-91()-250AS		MKDSSRSF82250A
SRSF-82()-250A		MKDSSPS91250
SPS-51T-187-8		MK/SPS-51-187

RoHS compliance

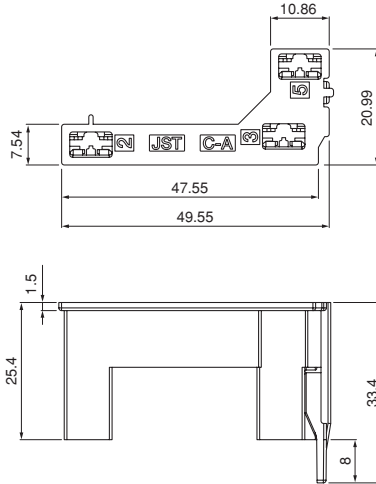
IS CONNECTOR

Housing (Invensys Infinite Switch)

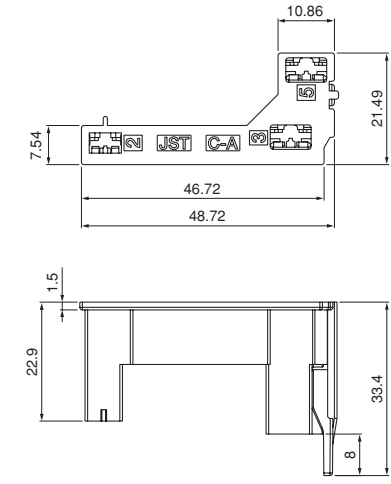
SRSF Series RSFP-IS-2V-250



RSFP-IS-3V-250



SRSF/SPS Series RSFP-IS-3VB-250-187-8



Part No.	Circuits	Color	Q'ty/box	Applicable Contacts
RSFP-IS-2V-250	2	Natural	1,000	SRSF-21()-250A, SRSF-61()-()250A, SRSF-91()-250AS, SRSF-82()-250A
RSFP-IS-3V-250	3		800	
RSFP-IS-3VB-250-187-8	3	Black	800	SRSF-21()-250A, SRSF-61()-()250A, SRSF-91()-250AS, SRSF-82()-250A, SPS-51T-187-8

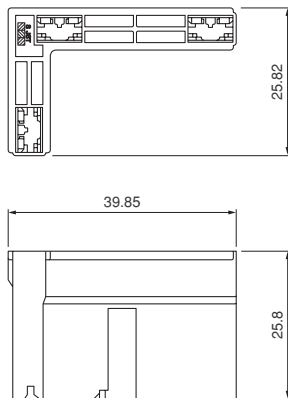
Material

Glass-filled PBT, UL94V-0

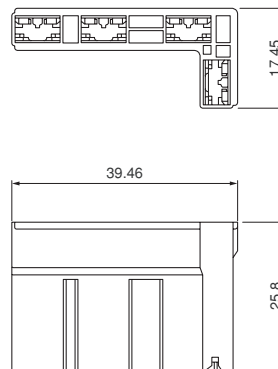
RoHS compliance

Housing (Invensys M-Series Infinite Switch)

RSFP-ISM-3V-250



RSFP-ISM-4V-250-()



Part No.	Circuits	Color	Q'ty/box	Applicable Contacts
RSFP-ISM-3V-250	3	Natural	1,600	SRSF-21()-250A, SRSF-61()-()250A, SRSF-91()-250AS, SRSF-82()-250A
RSFP-ISM-4V-250	4		1,600	
RSFP-ISM-4V-250-GE				

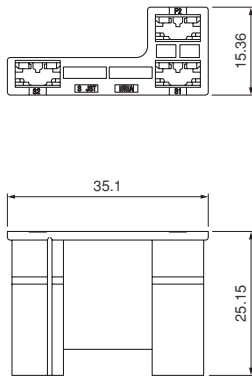
Material

PA 66, UL94V-0

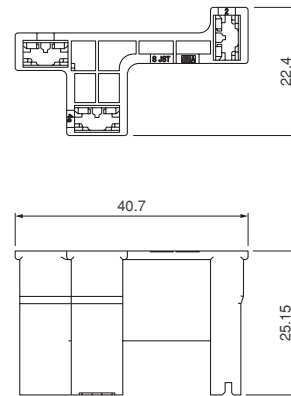
RoHS compliance

Housing (EGO Infinite Switch)

RSFP-3V-ES-A-H



RSFP-3V-ES-B



Part No.	Circuits	Color	Q'ty/box	Applicable Contacts
RSFP-3V-ES-A-H	3	Natural	1,000	SRSF-21()-250A, SRSF-61()-()250A, SRSF-91()-250AS, SRSF-82()-250A
RSFP-3V-ES-B	3		1,000	SRSF-21()-250A, SRSF-61()-()250A, SRSF-91()-250AS, SRSF-82()-250A

Material

PA 66, UL94V-0

RoHS compliance