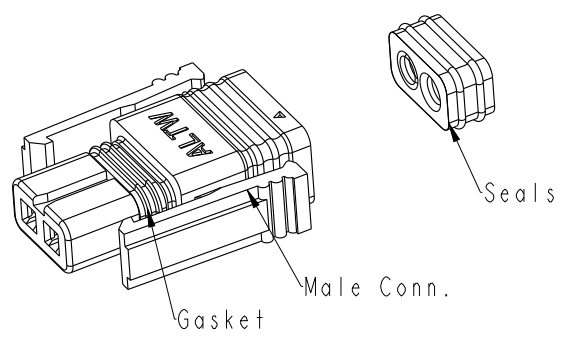
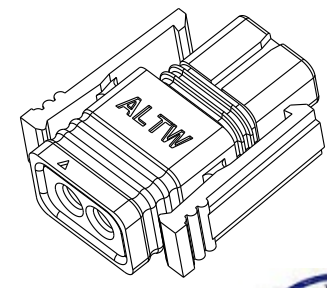
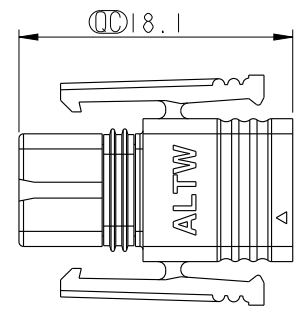
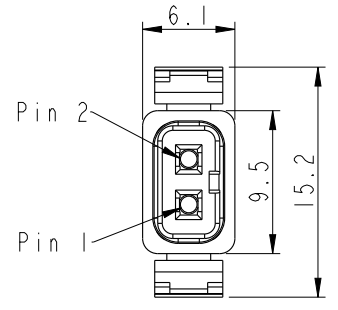


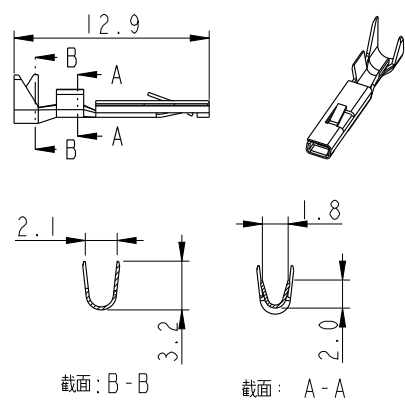
THIS DOCUMENT IS SUBJECT TO CHANGE WITHOUT NOTICE. IT IS CONFIDENTIAL AND A PROPERTY OF AMPHENOL LTW. DISCLOSURE TO THIRD PARTY HAS TO BE AUTHORIZED BY AMPHENOL LTW.

| REV. | ECN NO. | DATE | SIGN | DESCRIPTION |
|------|-----------------|------------|------|-------------------------------------|
| A | Initial Release | 2014/07/31 | Cary | Change To Rev.A |
| B | LE314A0242 | 2014/10/16 | Cary | Commissioned to supplier production |

ALTW
CONFIDENTIAL
 2014-10-16
R&D DEPT.



Optional part: Terminal
 Part NO.: BBA00010666



ALTW
 DCC. DEPT.
 CONFIDENTIAL
 2014.10.23
ISSUED

- Notes:
- * \varnothing Important Dimension To Check.
 - * Waterproof Rate: IP68(mating).
 1M Depth Of Water In 24 Hours.
 - * Housing: Thermoplastic, UL94V-0, Natural White.
 - * Gasket: Silicone, Gray.
 - * Seals: Silicone, Gray
 - * Current Rating: 5A maximum.
 - * 適用電子線 20AWG~22AWG
 - * Voltage Rating: 250V DC/AV maximum.
 - * Operating Temperature: -40~+105℃

UNIT: mm

TOLERANCE
 ±0.5mm

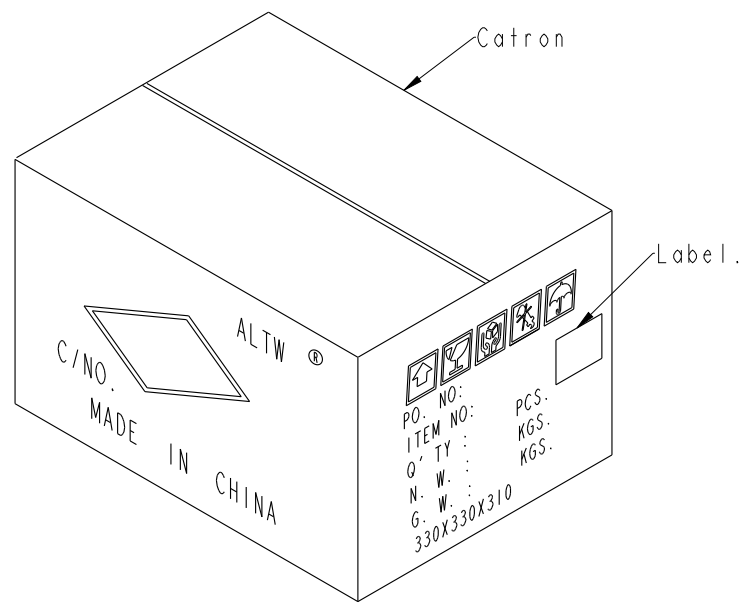
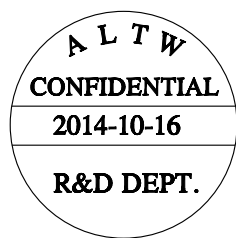
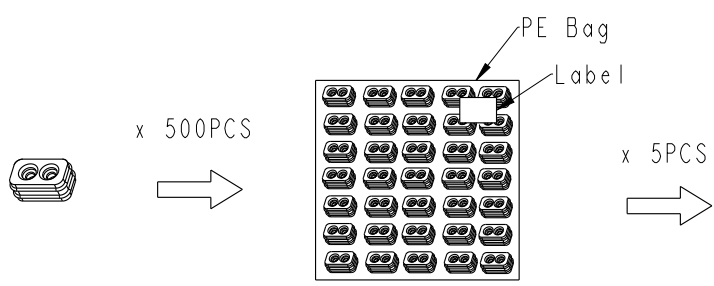
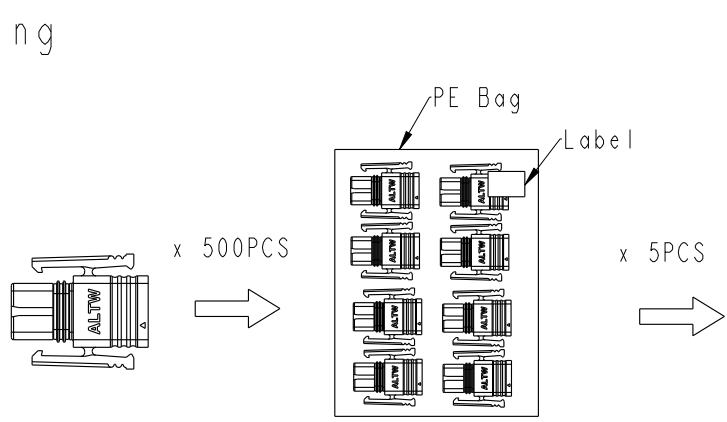
| | | | |
|----------------------------------|----------------|---------------------------------|--|
| TITLE SSL1.2 2P M CONN. ASS'Y | | | |
| SCALE 2:1 | SIZE A4 | SHEET 1 OF 2 | |
| REV. B | WC-REV. A.4 | \varnothing : Inspection item | |

Amphenol LTW
 安費諾亮泰企業股份有限公司

| | | |
|--------------------------------|----------------------|--------------------|
| ITEM NO. SSL12-P2FP0-M00001 | DRAWN BY Cary_liu | DATE 2014-10-16 |
| DWG NO. SSL12-P2FP0-M00001 | CHECKED BY Fisher | DATE 2014-10-16 |
| CUSTOMER ALTW | APPROVED BY Jerry | DATE 2014-10-16 |

THIS DOCUMENT IS SUBJECT TO CHANGE WITHOUT NOTICE. IT IS CONFIDENTIAL AND A PROPERTY OF Amphenol LTW. DISCLOSURE TO THIRD PARTY HAS TO BE AUTHORIZED BY Amphenol LTW.

Packing



- QUANTITY
1. 2500Set Per Carton
 2. Net Weight: 2.3Kg/Carton.
 3. Gross Weight: 3.0Kg/Carton.

| | | | | | | | |
|--------------------------------|----------------------------------|----------------|--|--|-------------------------------|------------------------------|----------------------|
| UNIT:mm TOLERANCE ±0.5mm | TITLE SSL1.2 2P M CONN. ASS'Y | | <h1 style="text-align: center;">Amphenol LTW</h1> <p style="text-align: center;">安費諾亮泰企業股份有限公司</p> | | ITEM NO SSL12-P2FP0-M00001 | DRAWN BY Cary | DATE 2014-10-16 |
| | SCALE 2:1 | SIZE A4 | | | SHEET 2 OF 2 | DWG NO SSL12-P2FP0-M00001 | CHECKED BY Fisher |
| | REV. B | WC-REV. A.4 | QC: Inspection item | | CUSTOMER ALTW | APPROVED BY Jerry | DATE 2014-10-16 |