

YOUR BEST BUSINESS PARTNER

HONESTY · UNITY · QUALITY · RESEARCH · STRIVE

Product List

Electrical Terminals

NON-INSULATED COPPER TUBULAR LUGS(TLK SERIES)

NON-INSULATED COPPER TUBULAR LUGS (TLK-90D SERIES)

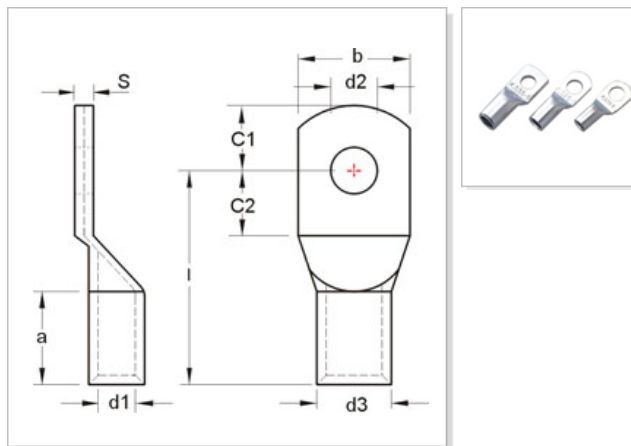
- Lighting system
- 3C Connector
- Automotive Connectors
- Nylon Cable Ties



Search Information

Home > Product Information > search

PRODUCT SEARCH LIST



MAXIMUM ELECTRIC CURRENT:

A.W.G.	18	16	14	12	10	8	6	4	2	1/0	2/0	3/0	4/0	250	300	350	400	500	600	750
AMP.	17	18	30	35	50	70	95	125	170	230	265	310	360	405	445	505	545	620	690	785

TERMINAL MATERIAL: COPPER TUBULAR

Add\_To\_Inquiry

Send\_Inquiry

Product in the inquiry

Product List (Total: 1 records)

Data Source Page NO. 1 P.62.

WIRE RANGE A.W.G. mm <sup>2</sup>	ITEM NO.	DIMENSION (mm)										Q'TY BOX									
		a	b	C1	C2	d1	d2	d3	l	S											
2 A.W.G.																					
35 mm <sup>2</sup>	<input type="checkbox"/> TLK35-8	17	17	10	10	8.5	8.4	12	34	3.2											200

Data Source Page NO. 1 P.62.

TOP



Copyright © K.S.TERMINALS INC. 8,E.3RD ROAD CHANG PIN IND.PARK, HSIEN SHI,CHANG  
HWA,TAIWAN,R.O.C.  
TEL: 886-4-7582765 | FAX: 886-4-7582786 | E-MAIL: exp@ksterminals.com.tw

: [B2B Global-Trade](#) , [Global Machine](#) ,  
: [Global Bicycle](#) , [Shopping HiGo](#).

... [sitemap](#)

[Sitemap](#) [Automotive Connector](#) [Solar Connector](#) [Cord End Terminals](#) [Plastic Cable Tie](#)