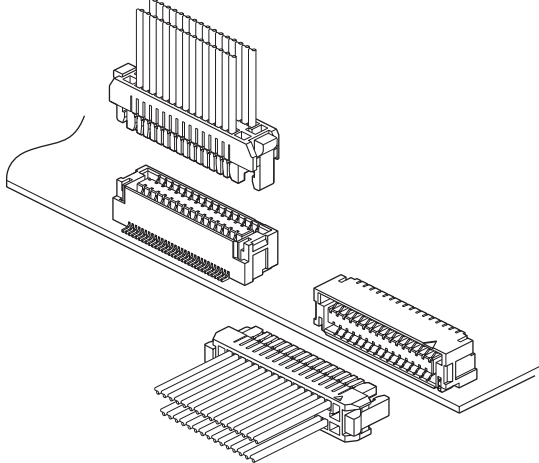


# SHLV CONNECTOR

1.0mm pitch/Disconnectable Crimp style connectors



**This is the wire to board connector corresponding to the high frequency transmission (LVDS: Low Voltage Differential Signaling) with a lot of adoption for PDP, LCD - TV and so on. This connector was developed to have excellent workability, strength and cost performance. This connector is used not only for LVDS, but also for multi - circuits connector (small and space saving type) in normal circuit.**

- Corresponding to LVDS (Low Voltage Differential Signaling)
- Secure locking structure
- Connector strength
- Contact locking structure

## Specifications

- Current rating: 1.0 A AC, DC (AWG #28)
- Voltage rating: 30 V AC, DC
- Temperature range: -25°C to +85°C  
(including temperature rise in applying electrical current)
- Contact resistance: Initial value/ 30 mΩ max.  
After environmental tests/ 50 mΩ max.
- Insulation resistance: 100 MΩ min.
- Withstanding voltage: 500 VAC/minute
- Applicable wire: Conductor size/ AWG #32 to #28  
Insulation O.D./ 0.4 to 0.8 mm

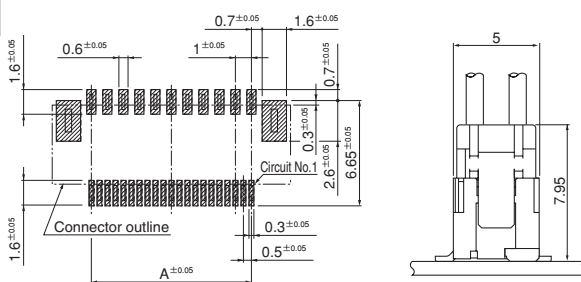
- \* Refer to "General Instruction and Notice when using Terminals and Connectors" at the end of this catalog.
- \* Contact JST for details.
- \* Compliant with RoHS.

## Standards

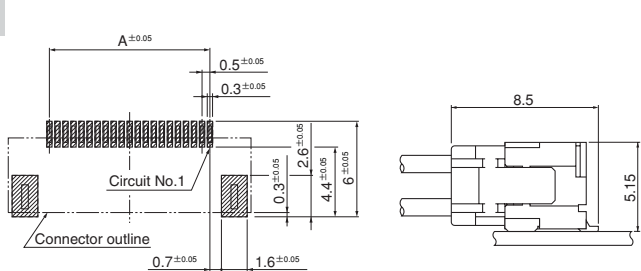
Recognized E60389

Certified LR20812

### Top entry type

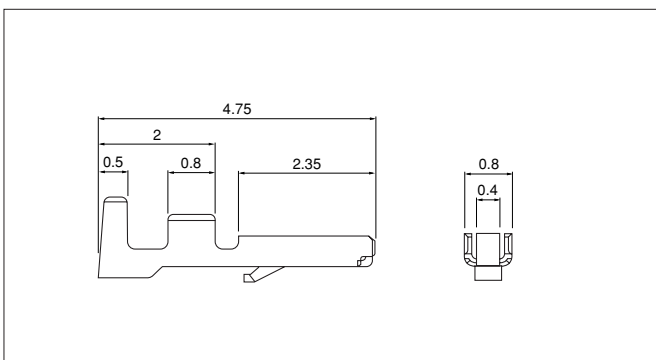


### Side entry type



- Note: 1. The above figure is the figure viewed from the connector mounting side.  
2. Tolerances are non-cumulative: ±0.05mm for all centers.  
3. The dimensions above should serve as a guideline. Contact JST for details.

## Contact



Model No.	Applicable wire		Insulation O.D. (mm)	Q'ty / reel
	mm <sup>2</sup>	AWG#		
SSHL-003GA1-P0.2	0.032~0.08	32~28	0.4~0.8	41,000

### Material and Finish

Phosphor bronze, nickel-undercoated, Mating part; gold-plated, Crimping part; gold-plated

### RoHS compliance

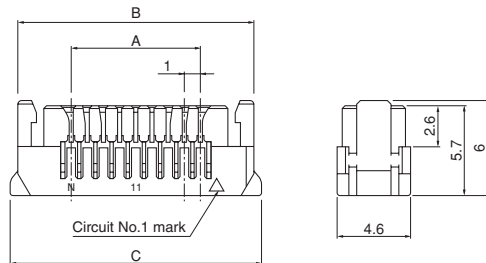
Contact	Crimping machine	Applicator		
		Crimp applicator	Dies	Crimp applicator with dies
SSHL-003GA1-P0.2	AP-K2N	MKS-L-10-3	MK/SSH/L-003-02	APLMK SSH/L003-02
		*MKS-SC	SC/SSH/L-003-02	APLSC SSH/L003-02

Note: \*Strip-crimp applicator  
Contact JST for applicable wires in case that it is not usable due to wire size.

# SHLV CONNECTOR

## Housing

### With secure lock



Circuits	Model No.	Dimensions (mm)			Q'ty / bag
		A	B	C	
21	<b>SHLVP-21V-S-1</b>	10.0	16.7	17.7	3,000
31	<b>SHLVP-31V-S-1</b>	15.0	21.7	22.7	2,000

#### Material

PBT, UL94V-0, natural(white)

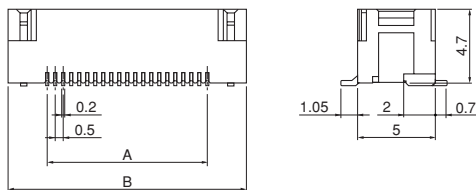
#### RoHS compliance

<For reference> As the color identification, the following alphabet shall be put in the underlined part. For availability, delivery and minimum order quantity, contact JST.

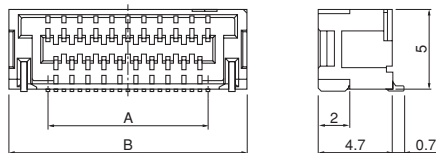
ex. **SHLVP-21V-S-1**  
S...natural (white)  
LE...light blue

## Shrouded header

### Top entry type



### Side entry type



Circuits	Model No.	Dimensions (mm)		Q'ty / reel
		Top entry type		
		A	B	
21	<b>BM21B-SHLVS-G-TBT</b>	10.0	15.0	1,500
31	<b>BM31B-SHLVS-G-TBT</b>	15.0	20.0	1,500

Circuits	Model No.	Dimensions (mm)		Q'ty / reel
		Side entry type		
		A	B	
21	<b>SM21B-SHLVS-G-TB</b>	10.0	15.0	2,000
31	<b>SM31B-SHLVS-G-TB</b>	15.0	20.0	2,000

#### Material and Finish

Contact: Phosphor bronze, nickel-undercoated, gold-plated  
 Wafer: Polyamide, UL94V-0, natural (ivory)  
 Solder tab: Brass, copper-undercoated, tin-plated (reflow treatment)

**RoHS compliance** This product displays (LF)(SN) on a label. The products listed above are supplied on embossed-tape.

<For reference> As the color identification, the following alphabet shall be put in the underlined part. For availability, delivery and minimum order quantity, contact JST.

<Top entry type>  
 ex. **BM21B-SHLVS-G-TBT**  
S...natural (ivory)  
LE...light blue

<Side entry type>  
 ex. **SM21B-SHLVS-G-TB**  
S...natural (ivory)  
LE...light blue