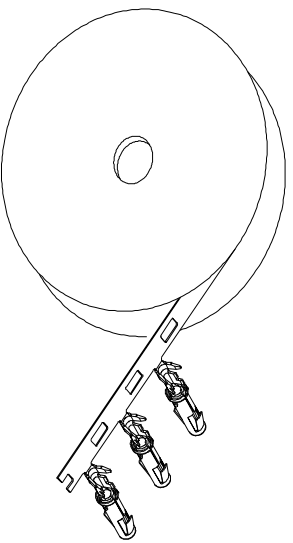


REVISIONS				
REV	ECO	DESCRIPTION	DATE	BY APPR
B1	-	RELEASED DRAWING	JAN-18-2014	ARROW TOMMY

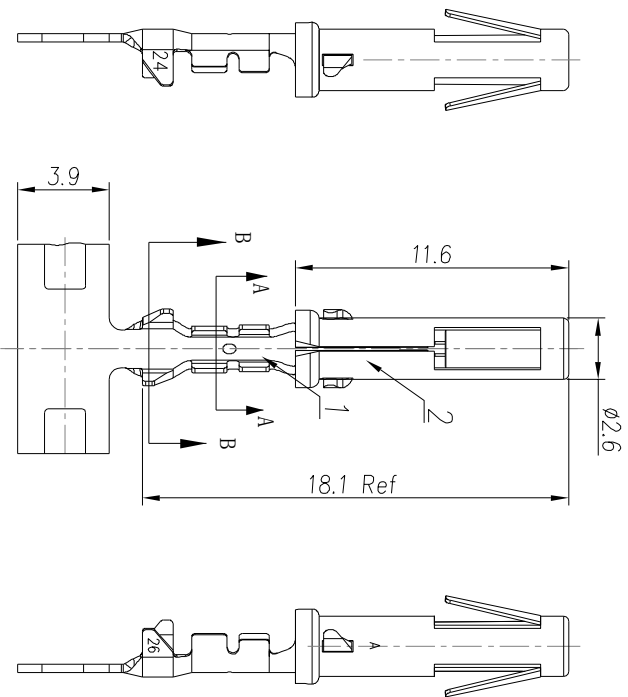
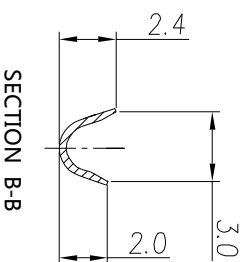
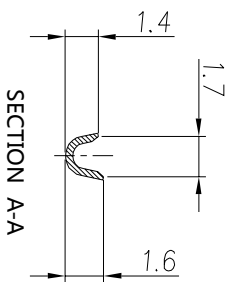


CONTACT ORIENTATION ON ROLL

NOTES : (UNLESS OTHERWISE SPECIFIED)

1. MATERIAL :
  - 1.1. CONTACT BODY : COPPER ALLOY.
  - 1.2. OUTER SPRING : STAINLESS STEEL.
2. SPECIFICATIONS :
  - 2.1 CURRENT RATING : 13A MAX.
  - 2.2 TERMINATION TYPE : CRIMPING.
  - 2.3 WIRE RANGE : 24~26AWG.
3. ROHS COMPLIANT.
4. ALL DIMENSIONS ARE FOR REFERENCE USE ONLY.
5. AVAILABLE TOOLS :
  - 5.1 HAND CRIMPER : MFX-3954.
  - 5.2 CRIMP APPLICATOR : MFX-3957.
  - 5.3 EXTRACTION TOOL : QXRT16.

P/N	CONTACT PLATING(MATING AREA)
SS24MIT	TIN PLATING OVER NICKEL.
SS24M1F	GOLD FLASH PLATING OVER NICKEL.
SS24M1G10	10u" GOLD PLATING OVER NICKEL.
SS24M1G15	15u" GOLD PLATING OVER NICKEL.
SS24M1G30	30u" GOLD PLATING OVER NICKEL.



QUANTITY	PART NUMBER	DESCRIPTION	ITEM
		<b>MATERIALS LIST</b>	

UNLESS OTHERWISE SPECIFIED 1) ALL DIMENSIONS ARE IN MILLIMETERS. 2) TOLERANCES ARE AS SHOWN. 3) PL: DEC 20 08 4) FIN: DEC 20 08 5) MFG: DEC 20 08	SIGNATURES DRAWN: ARROW CHECKED: JWH/TZM ENGINEER: APPROVAL:	DATE JUN-17-2011	<p><b>Amphenol</b></p> <p>Sine Systems - <a href="http://www.amphenol-sine.com">www.amphenol-sine.com</a> 44724 Morley Drive Clinton Township, MI 48038</p> <p>ecolimate™ SOCKET CONTACT, STAMPED, 24-26AWG, SIZE 16</p>
PROCESS SPECIFICATIONS: NEXT ASST:	MATERIAL SPECIFICATIONS: A	CUSTOMER:	<p>THIS DRAWING IS SUPPLIED FOR SPECIFICATIONS AND PERFORMANCE DATA ONLY. THE DRAWING IS NOT TO BE USED FOR REPRODUCTION OR REPRODUCTION IN ANY MANNER. ALL MANUFACTURING VARIATIONS ARE ACCEPTED.</p> <p>SIZE: B TYPE: C- DWG NO: SS24M1XX SCALE: NONE SHEET: 1 OF 1</p>

REV: B1	DWG NO: SS24M1XX	SIZE: 16	24-26AWG, STAMPED CONTACT
REV: B1	DRG NO:	SIZE: 16	24-26AWG, STAMPED CONTACT
REV: B1	DRG NO:	SIZE: 16	24-26AWG, STAMPED CONTACT