

PLUG: RM312-080-121-2900
RECEPTACLE: RM322-080-581-5900
 XXXXX-XXX-XXX-XXXX

PLUG		RECEPTACLE	
SERIES			
RM .075" Screw Machine PC Connector		RM .075" Screw Machine PC Connector	
BODY			
3	3-Row	3	3-Row
BODY STYLE:		BODY STYLE:	
1	Plug, straight, with mounting ears	2	Receptacle, straight, with mounting ears
3	Plug, straight, without mounting ears	4	Receptacle, straight, without mounting ears
BODY MATERIAL:		BODY MATERIAL:	
2	Polyphenylene sulfide (PPS)	2	Polyphenylene sulfide (PPS)
SIZE			
011, 023, 035, 047, 059, 071, 080		011, 023, 035, 047, 059, 071, 080	
CONTACTS			
TYPE CONTACTS/TERMINATIONS:		TYPE CONTACTS/TERMINATIONS:	
10	Pin, straight, dip solder, .109" x .020" dia	00	Contacts not supplied
11	Pin, straight, solder cup	57	Socket, straight, crimp removable (20-22 AWG)*
12	Pin, straight, dip solder, .140" x .020" dia	58	Socket, straight, crimp removable (24-26 AWG)*
13	Pin, straight, dip solder, .172" x .020" dia	59	Socket, straight, crimp removable (28-30 AWG)*
15	Pin, straight, flex, .093" x .017" dia		
PLATING OPTIONS:		PLATING OPTIONS:	
1	Gold plated termination	1	Gold plated termination
2	Pre-tinned termination (except solder cup or flex)		
HARDWARE			
STYLE OF HARDWARE: (See R-41 & R-42 for all options)		STYLE OF HARDWARE: (See R-41 & R-42 for all options)	
0256	None	0256	None
55	Guide set	55	Guide set
57	Two guide pins	57	Two guide pins
58	Two guide sockets	58	Two guide sockets
29	Fixed jackset	29	Fixed jackset
30	Fixed jackset, reversed	30	Fixed jackset, reversed
19	Two fixed jackscrews	19	Two fixed jackscrews
20	Two fixed jacksockets	20	Two fixed jacksockets
59	Hex turning jackset, .200"	59	Hex turning jackset, .200"
60	Hex turning jackset, reversed, .200"	60	Hex turning jackset, reversed, .200"
61	Two hex turning jackscrews, .200"	61	Two hex turning jackscrews, .200"
62	Two hex turning jacksockets, .200"	62	Two hex turning jacksockets, .200"
64	Turning jackset, .490"	64	Turning jackset, .490"
65	Turning jackset, reversed, .490"	65	Turning jackset, reversed, .490"
66	Two turning jackscrews, .490"	66	Two turning jackscrews, .490"
67	Two turning jacksockets, .490"	67	Two turning jacksockets, .490"
POLARIZATION:		POLARIZATION	
00	None	00	None
01	thru 68 are special identifiers, see R-38	01	thru 68 are special identifiers, see R-38
70	Same configuration as 01 without Loctite® (To be keyed by customer)	70	Same configuration as 01 without Loctite® (To be keyed by customer)

- * Full compliment of crimp removable sockets packaged with connectors
1. Crimp tool - AirBorn part number: CDG4601, Mil Spec number M22520/2-01
 2. Crimp positioner - AirBorn part number: CDG4602 (24-26 AWG and 28-30 AWG)
CDG4603 (20-22 AWG)
 3. Crimp removal tool - AirBorn part number: CDG8161 (All AWGs)
 4. Crimp contact part number on previous page.

3 • ROW

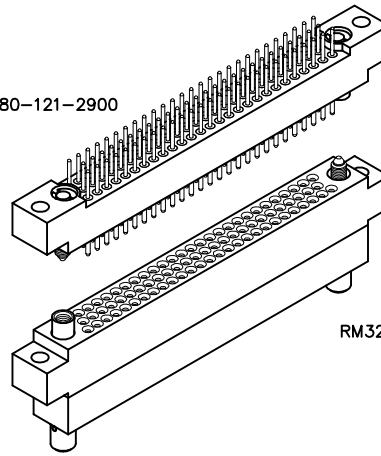
Cable or Board to Crimp Removable

.075"

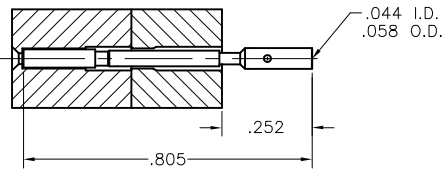
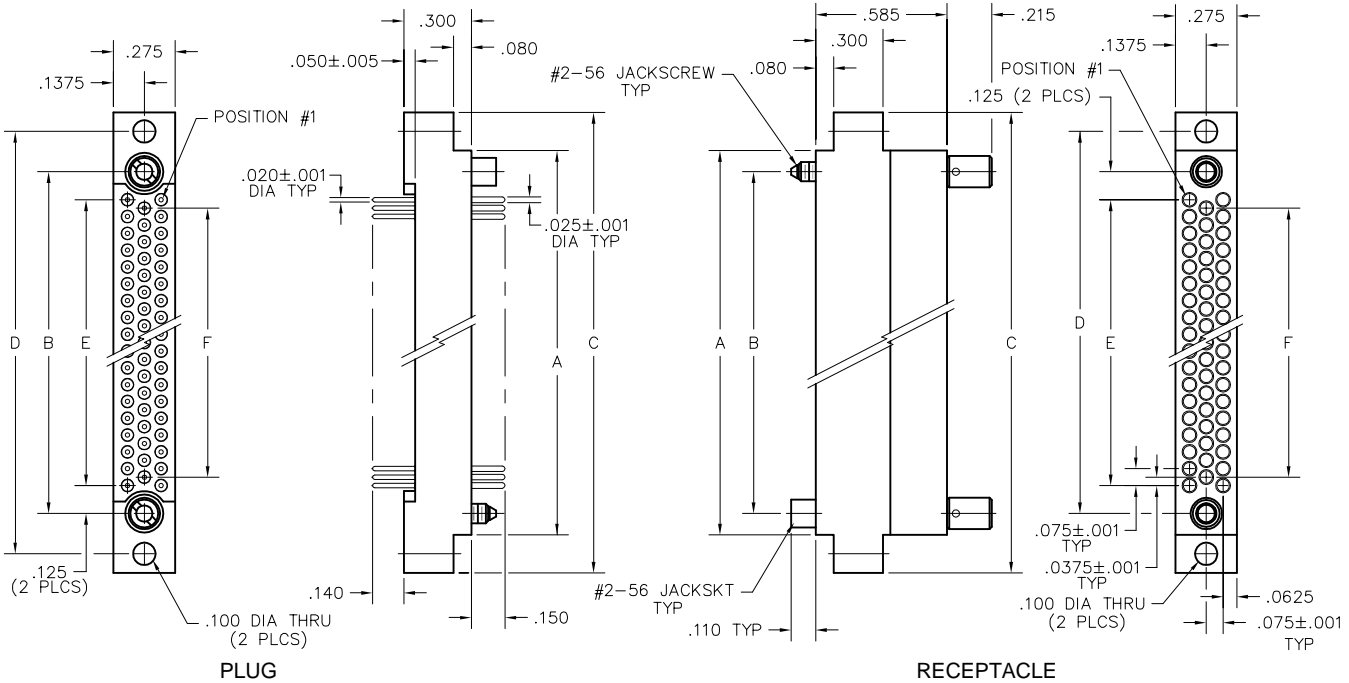
RM3

11 thru 80 Contacts

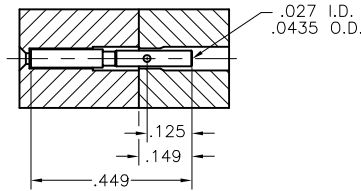
RM312-080-121-2900



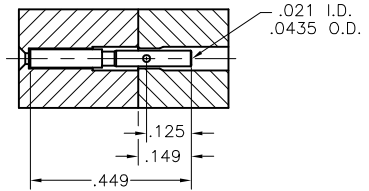
RM322-080-581-5900



20-22 AWG



24-26 AWG



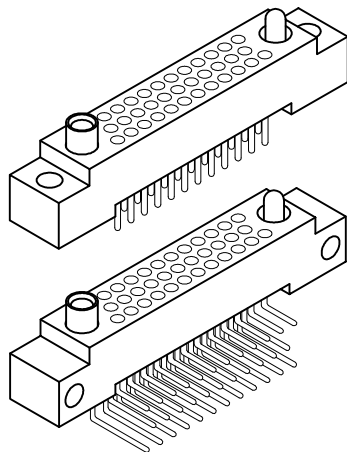
28-30 AWG

NOTE:

When using crimp contacts with 20 gage barrel, barrel must be cut off prior to removing contact from connector body.

CRIMP REMOVABLE CONTACTS	
SIZE	PART NUMBER
20-22 AWG	RM300-000-571-0000
24-26 AWG	RM300-000-581-0000
28-30 AWG	RM300-000-591-0000

SIZE	DIMENSIONS					
	A	B	C	D	E	F
11	.665	.475	1.005	.835	.225	.150
23	.965	.775	1.305	1.135	.525	.450
35	1.265	1.075	1.605	1.435	.825	.750
47	1.565	1.375	1.905	1.735	1.125	1.050
59	1.865	1.675	2.205	2.035	1.425	1.350
71	2.165	1.975	2.505	2.335	1.725	1.650
80	2.390	2.200	2.730	2.560	1.950	1.875



DIMENSIONS			
SIZE	A	B	C
11	.835	.225	.150
23	1.135	.525	.450
35	1.435	.825	.750
47	1.735	1.125	1.050
59	2.035	1.425	1.350
71	2.335	1.725	1.650
80	2.560	1.950	1.875
92	2.860	2.250	2.175
104	3.160	2.550	2.475
122	3.610	3.000	2.925
134	3.910	3.450	3.375
152	4.360	3.750	3.675
182	5.110	4.500	4.425
206	5.710	5.100	5.025

3 • ROW

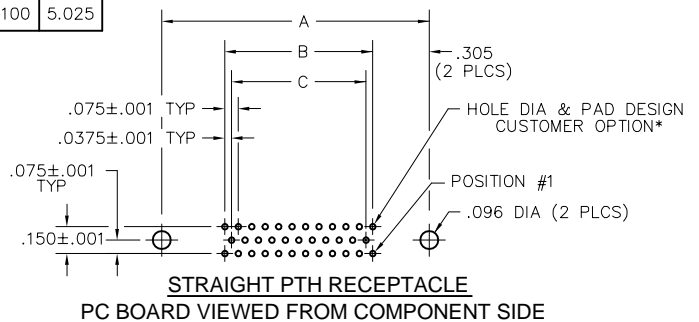
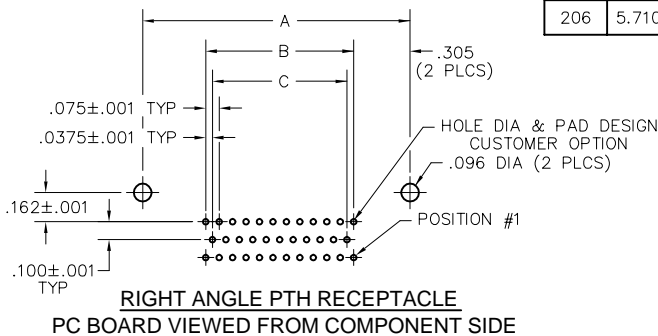
Right Angle PTH Rcpt

Straight PTH Rcpt

.075"

RM3

11 thru 206 Contacts
Recommended Board Layout



*COMPLIANT TERMINATION REQUIREMENTS:
Board Material: FR-4 w/ 1.0 oz. copper
Minimum nominal board thickness: .062"
Drilled hole: .0319"-.0339"
Copper plating thickness: .0010" minimum

Tin-lead plating thickness: .0006" maximum
Electroplated tin-lead composition: 63/37 (Sn/Pb)
Finished hole diameter: .028"±.002"

SIZE	CONTACT ID	SIZE	CONTACT ID
11	11 10 9 8 7 6 5 4 3 2 1	92	92 91 90 64 63 62 61 60 59 34 33 32 31 30 29 3 2 1
23	23 22 21 20 19 18 17 16 15 14 13 12 11 10 9 8 7 6 5 4 3 2 1	104	104 103 102 72 71 70 69 68 67 38 37 36 35 34 33 3 2 1
35	35 34 33 26 25 24 23 22 21 15 14 13 12 11 10 3 2 1	122	122 121 120 84 83 82 81 80 79 44 43 42 41 40 39 3 2 1
47	47 46 45 34 33 32 31 30 29 19 18 17 16 15 14 3 2 1	140	140 139 138 96 95 94 93 92 91 50 49 48 47 46 45 3 2 1
59	59 58 57 42 41 40 39 38 37 23 22 21 20 19 18 3 2 1	152	152 151 150 104 103 102 101 100 99 54 53 52 51 50 49 3 2 1
71	71 70 69 50 49 48 47 46 45 27 26 25 24 23 22 3 2 1	182	182 181 180 124 123 122 121 120 119 64 63 62 61 60 59 3 2 1
80	80 79 78 56 55 54 53 52 51 30 29 28 27 26 25 3 2 1	206	206 205 204 140 139 138 137 136 135 72 71 70 69 68 67 3 2 1