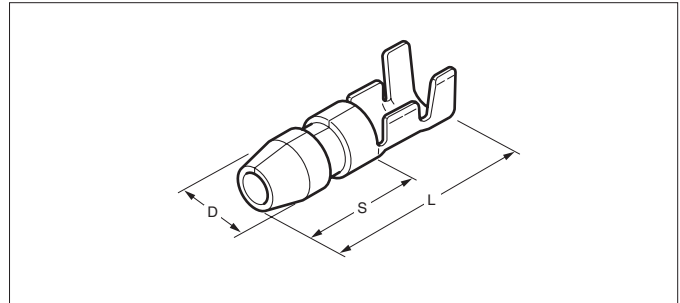


BULLET TERMINAL

Nominal 4.0mm dia. bullet male



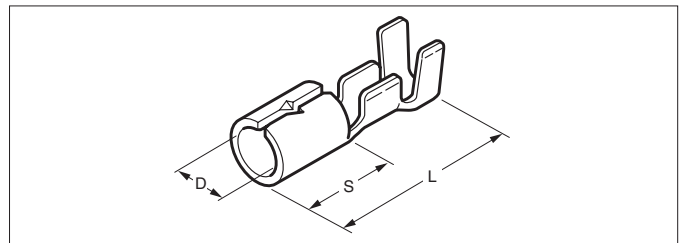
Recognized E60389

Certified LR20812

| Model No. | Standard | Applicable wire | | | Material | Finish | Dimensions(mm) | | | | Q'ty / reel |
|-----------|----------|-----------------|----------|----------------------|----------|------------|----------------|------|-----|--------------------|-------------|
| | | mm ² | AWG # | Insulation O.D. (mm) | | | D (dia.) | L | S | Material thickness | |
| SGM-51-4 | | 0.5 to 2.0 | 20 to 14 | 2.6 to 3.8 | Brass | — | 3.55 | 15.9 | 7.3 | 0.5 | 5,000 |
| SGM-51T-4 | | | | | | Tin-plated | | | | | |

RoHS compliance

Nominal 4.0mm dia. bullet female



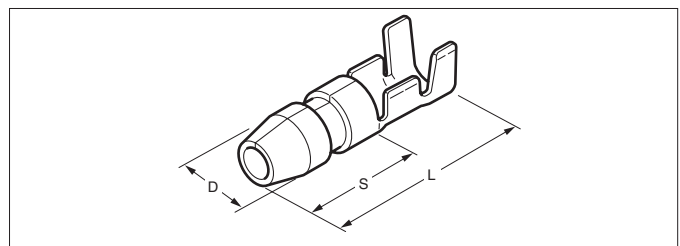
Recognized E60389

Certified LR20812

| Model No. | Standard | Applicable wire | | | Material | Finish | Dimensions(mm) | | | | Q'ty / reel |
|-----------|----------|-----------------|----------|----------------------|----------|------------|----------------|------|-----|--------------------|-------------|
| | | mm ² | AWG # | Insulation O.D. (mm) | | | D (dia.) | L | S | Material thickness | |
| SGF-41-4 | | 0.5 to 1.25 | 20 to 16 | 2.6 to 3.5 | Brass | — | 3.5 | 17.5 | 6.4 | 0.32 | 7,500 |
| SGF-41T-4 | | | | | | Tin-plated | | | | | |

RoHS compliance

Nominal 5.0mm dia. bullet male



Recognized E60389

Certified LR20812

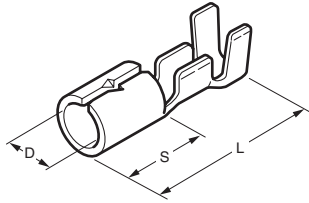
| Model No. | Standard | Applicable wire | | | Material | Finish | Dimensions(mm) | | | | Q'ty / reel |
|-----------|----------|-----------------|----------|----------------------|----------|------------|----------------|------|-----|--------------------|-------------|
| | | mm ² | AWG # | Insulation O.D. (mm) | | | D (dia.) | L | S | Material thickness | |
| SGM-21-5 | | 0.3 to 0.75 | 22 to 18 | 1.7 to 2.9 | Brass | — | 3.96 | 17.5 | 8.9 | 0.5 | 5,000 |
| SGM-21T-5 | | | | | | Tin-plated | | | | | |
| SGM-51-5 | | 0.5 to 2.0 | 20 to 14 | 2.6 to 3.8 | | — | | | | | |
| SGM-51T-5 | | | | | | Tin-plated | | | | | |

RoHS compliance

BULLET TERMINAL

Nominal 5.0mm dia. bullet female

Type A



Recognized E60389

Certified LR20812

| Model No. | Standard | Applicable wire | | | Material | Type | Finish | Dimensions(mm) | | | | Q'ty / reel |
|-----------|----------|-----------------|----------|----------------------|----------|------|------------|----------------|------|-----|--------------------|-------------|
| | | mm ² | AWG # | Insulation O.D. (mm) | | | | D (dia.) | L | S | Material thickness | |
| SGF-21-5 | | 0.3 to 0.75 | 22 to 18 | 1.7 to 2.9 | Brass | A | — | 3.96 | 17.5 | 6.4 | 0.4 | 5,000 |
| SGF-21T-5 | | | | | | | Tin-plated | | | | | |
| SGF-51-5 | | 0.5 to 2.0 | 20 to 14 | 2.6 to 3.8 | | | — | | | | | |
| SGF-51T-5 | | | | | | | Tin-plated | | | | | |

Crimping machine, Applicator

| Contact | Crimping machine | Applicator | | |
|-------------|------------------|------------------|-------------|----------------------------|
| | | Crimp applicator | Dies | Crimp applicator with dies |
| SGM-51(T)-4 | AP-K2N | MK-L | MK/SGM-51-4 | APLMK SGM51-4 |
| | | — | — | — |
| SGF-41(T)-4 | | MK-L | MK/SGF-41-4 | APLMK SGF41-4 |
| | | — | — | — |
| SGM-21(T)-5 | | MK-L | MK/SGM-21-5 | APLMK SGM21-5 |
| | | — | — | — |

| Contact | Crimping machine | Applicator | | |
|-------------|------------------|------------------|-------------|----------------------------|
| | | Crimp applicator | Dies | Crimp applicator with dies |
| SGM-51(T)-5 | AP-K2N | MK-L | MK/SGM-51-5 | APLMK SGM51-5 |
| | | — | — | — |
| SGF-21(T)-5 | | MK-L | MK/SGF-21-5 | APLMK SGF21-5 |
| | | — | — | — |
| SGF-51(T)-5 | | MK-L | MK/SGF-51-5 | APLMK SGF51-5 |
| | | — | — | — |

* Compliant with RoHS.

* Refer to "General Instruction and Notice when using Terminals and Connectors" at the end of this catalog.

* Contact JST for details.