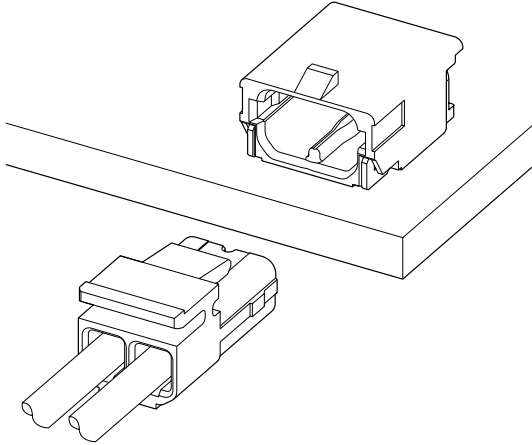


# SFK CONNECTOR



1.8mm pitch/Disconnectable Crimp style connectors



**This SFK connector is a wire-to-board connector for connecting power supply and PCB and withstands high voltage. It is used for power supply of LED backlight in Liquid Crystal Display Television set.**

- Withstand high voltage
- Secure locking structure
- Halogen-free

## Specifications

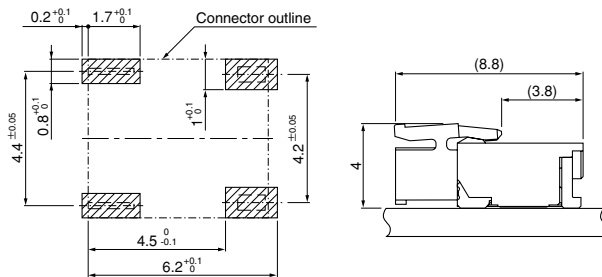
- Current rating: 4 A AC, DC (AWG #22)
- Voltage rating: 350 V AC, DC
- Temperature range: -25°C to +85°C  
(including temperature rise in applying electrical current)
- Contact resistance: Initial value/ 10 mΩ max.  
After environmental tests/ 20 mΩ max.
- Insulation resistance: 1,000 MΩ min.
- Withstanding voltage: 1,700 VAC/minute
- Applicable wire: Conductor size/ AWG #30 to #22  
Insulation O.D./ 0.7 to 1.3 mm

- \* Refer to "General Instruction and Notice when using Terminals and Connectors" at the end of this catalog.
- \* Contact JST for details.
- \* Compliant with RoHS.

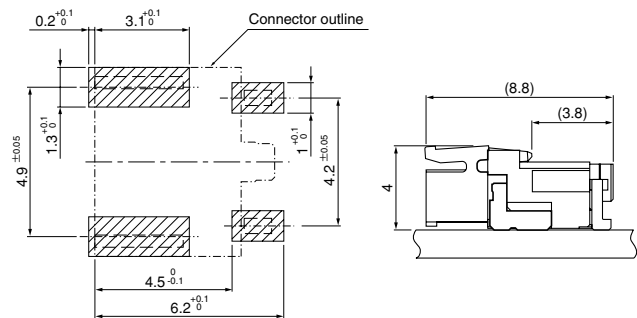
## Standards

Recognized E60389

## PC board layout and Assembly layout



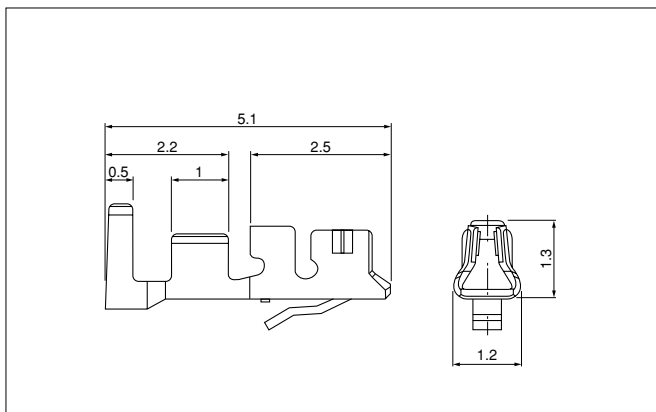
### ● B type



Note: 1. The above figure is the figure viewed from the connector mounting side.

2. Tolerances are non-cumulative:  $\pm 0.05$  mm for all centers. The dimensions above should serve as a guideline. Contact JST for details.

## Contact



Model No.	Applicable wire		Insulation O.D. (mm)	Q'ty/reel
	mm <sup>2</sup>	AWG#		
SSFH-001T-P0.5	0.13~0.33	26~22	0.95~1.3	15,000
SSFH-002T-P0.5	0.05~0.13	30~26	0.7~1.25	15,000

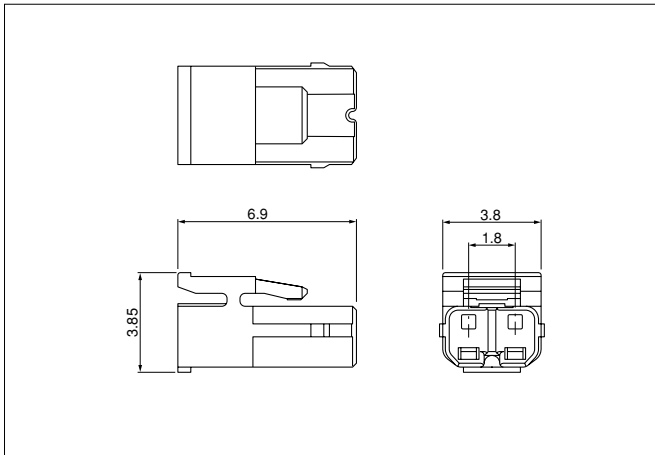
### Material

Copper alloy, tin-plated (reflow treatment)

### RoHS compliance

Contact	Crimping machine	Applicator		
		Crimp applicator	Dies	Crimp applicator with dies
SSFH-001T-P0.5	AP-K2N	MKS-L	MK/SSFH-001-05	APLMK SSFH001-05
		—	—	—
SSFH-002T-P0.5	—	MKS-L	MK/SSFH-002-05	APLMK SSFH002-05
		—	—	—

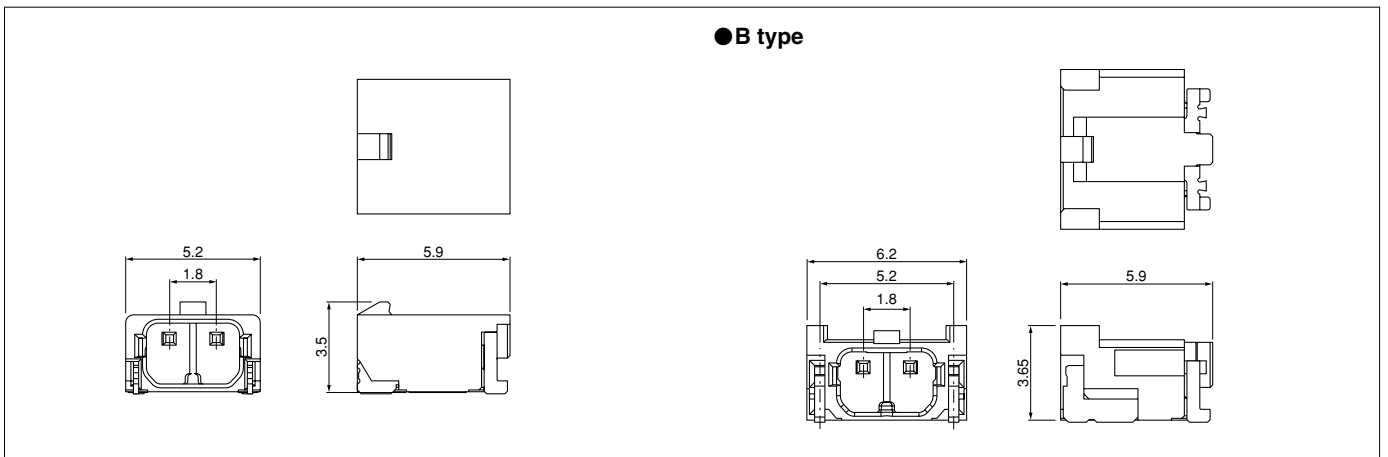
## Housing



Circuits	Model No.	Q'ty/bag
2	<b>SFKR-02V-S</b>	2,000
Material		
PA 66, UL94V-0, natural (white)		

**RoHS compliance**

## Header



● B type

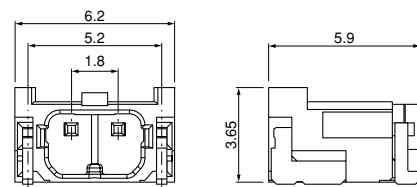
Circuits	Model No.	Q'ty/reel
2	<b>SM02B-SFKH-TF</b>	3,000

### Material and Finish

Press pin: Brass, copper-undercoated, tin-plated (reflow treatment)  
 Wafer: PA 6T, UL94V-0, gray  
 Solder tail: Brass, copper-undercoated, tin-plated (reflow treatment)

### RoHS compliance

Note: The product listed above is supplied on embossed-tape.



● B type

Circuits	Model No.	Q'ty/reel
2	<b>SM02B-SFKBS3-TF</b>	3,000

### Material and Finish

Press pin: Brass, copper-undercoated, tin-plated (reflow treatment)  
 Wafer: PA 4T, UL94V-0, natural  
 Solder tail: Brass, copper-undercoated, tin-plated (reflow treatment)

### RoHS compliance

Note: The product listed above is supplied on embossed-tape.