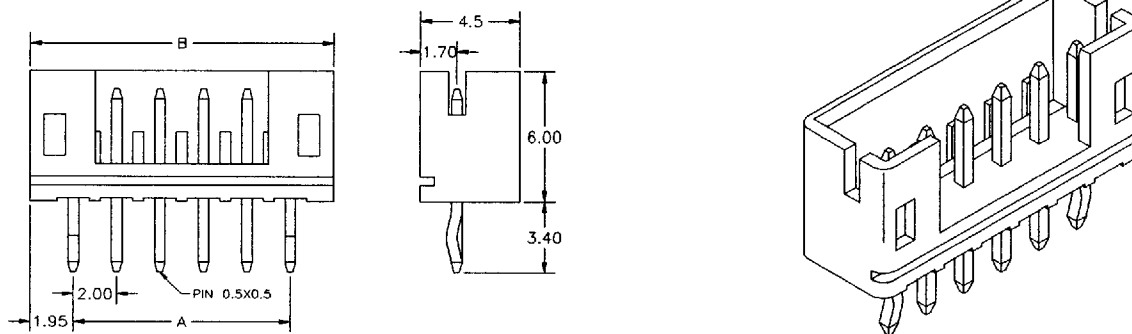


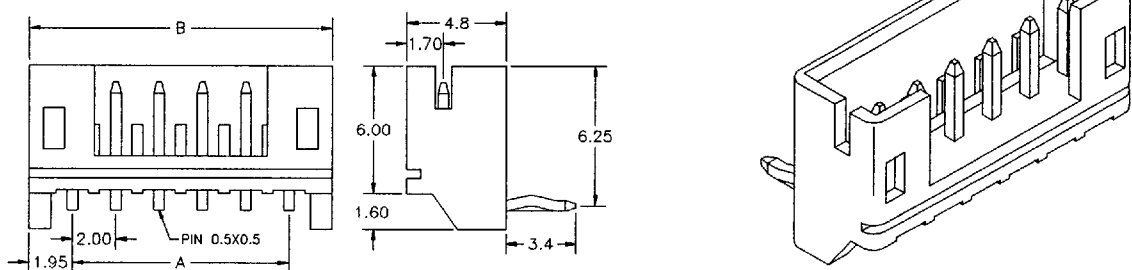
2.0mm (0.079") Pin Wafer

PH Series

Top Entry Type



Side Entry Type

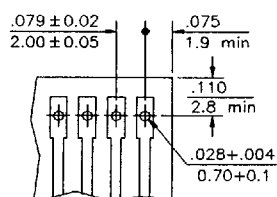


Circuits	Model No.		Dimension mm	
	Top Entry	Side Entry	A	B
2	PH-T- 2	PH-S- 2	2.0	5.9
3	PH-T- 3	PH-S- 3	4.0	7.9
4	PH-T- 4	PH-S- 4	6.0	9.9
5	PH-T- 5	PH-S- 5	8.0	11.9
6	PH-T- 6	PH-S- 6	10.0	13.9
7	PH-T- 7	PH-S- 7	12.0	15.9
8	PH-T- 8	PH-S- 8	14.0	17.9
9	PH-T- 9	PH-S- 9	16.0	19.9

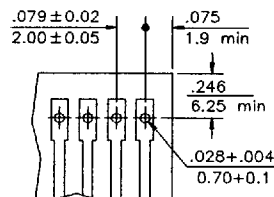
Circuits	Model No.		Dimension mm	
	Top Entry	Side Entry	A	B
10	PH-T-10	PH-S-10	18.0	21.9
11	PH-T-11	PH-S-11	20.0	23.9
12	PH-T-12	PH-S-12	22.0	25.9
13	PH-T-13	PH-S-13	24.0	27.9
14	PH-T-14	PH-S-14	26.0	29.9
15	PH-T-15	PH-S-15	28.0	31.9
16	PH-T-16	PH-S-16	30.0	33.9

DIP Type P.C.Board Layout

Top Entry Type



Side Entry Type



SINGATRON ENT. CO., LTD. Tel.: (909) 464-1883 Fax.: (909) 464-1884

9011184 0000150 3T7