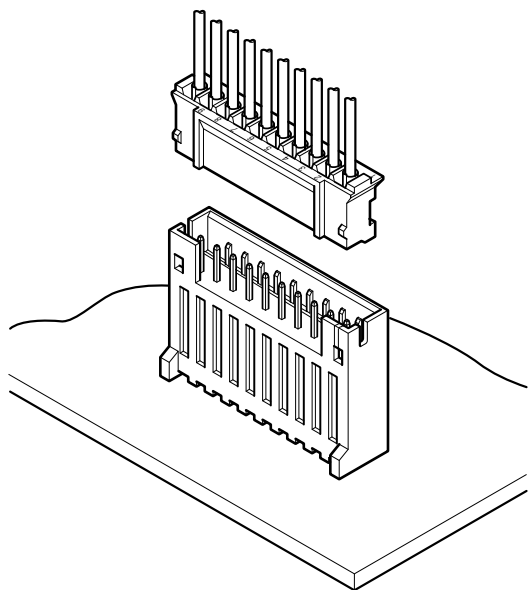




# PH CONNECTOR (High box type)

2.0 mm pitch/Disconnectable Crimp style connectors



PH connector high box type, with 17 mm mounting height and with 4.5 mm thickness.

- Signal side connector is common use with the normal PH connector, and it is compatible with insulation displacement type KR connector.

## Specifications

- Current rating: 2 A AC/DC (AWG #24)
- Voltage rating: 100 V AC/DC
- Temperature range: -25°C to +85°C  
(including temperature rise in applying electrical current)
- Contact resistance: Initial value/ 10 mΩ max.  
After environmental tests/ 20 mΩ max.
- Insulation resistance: 1,000 MΩ min.
- Withstanding voltage: 800 VAC/minute
- Applicable wire: AWG #30 to #24
- Applicable PC board thickness: 0.8 to 1.6 mm

\* In using the products, refer to "Handling Precaution for Terminal and Connector" described on our website (Technical documents of Product information page).

\* Contact JST for details.

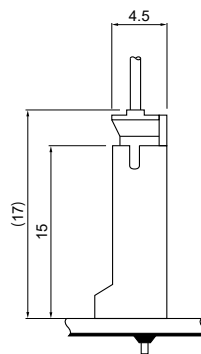
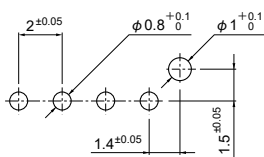
\* RoHS2 compliance

## Standards

Recognized E60389

R75087

## PC board layout and Assembly layout

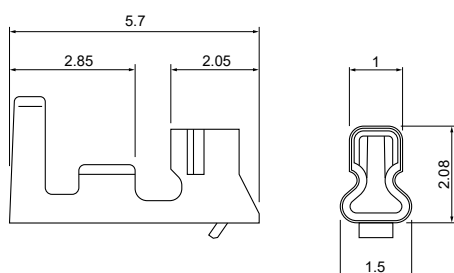


Note: 1. The above figure is the figure viewed from the connector mounting side.

2. Tolerances are non-cumulative: ±0.05 mm for all centers.

3. Hole dimensions differ according to the type of PC board and piercing method. If PC boards made of hard material are used, the hole dimensions should be larger. The hole dimensions shown above are reference values. Contact JST for details.

## Contact



Model No.	Applicable wire		Insulation O.D. (mm)	Q'ty/reel
	mm <sup>2</sup>	AWG #		
SPH-002T-P0.5S	0.05~0.22	30~24	0.8~1.5	8,000

### Material and Finish

Phosphor bronze, tin-plated (reflow treatment)

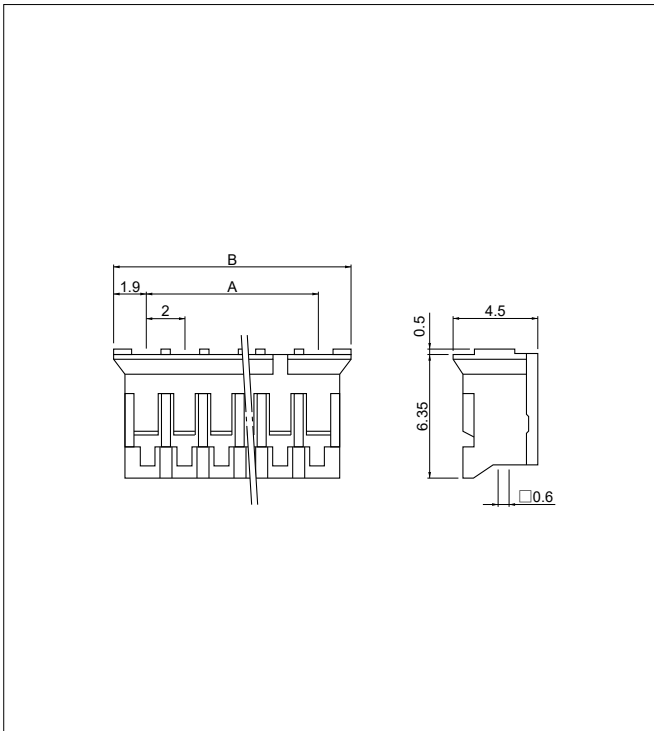
### RoHS2 compliance

Contact	Crimping machine	Applicator		
		Crimp applicator	Dies	Crimp applicator with dies
SPH-002T-P0.5S	AP-K2N	MKS-L	MKSPH-002-05S	APLMK SPH002-05S

Note: Contact JST for fully automatic crimping applicator.

# PH CONNECTOR (High box type)

## Housing



No. of circuits	Model No.	Dimensions (mm)		Q'ty/box
		A	B	
2	<b>PHR-2</b>	2.0	5.8	1,000
3	<b>PHR-3</b>	4.0	7.8	1,000
4	<b>PHR-4</b>	6.0	9.8	1,000
5	<b>PHR-5</b>	8.0	11.8	1,000
6	<b>PHR-6</b>	10.0	13.8	1,000
7	<b>PHR-7</b>	12.0	15.8	1,000
8	<b>PHR-8</b>	14.0	17.8	1,000
9	<b>PHR-9</b>	16.0	19.8	1,000
10	<b>PHR-10</b>	18.0	21.8	1,000
11	<b>PHR-11</b>	20.0	23.8	1,000
12	<b>PHR-12</b>	22.0	25.8	1,000
13	<b>PHR-13</b>	24.0	27.8	1,000

### Material and Finish

PA 66, UL94V-0, natural (white)

### RoHS2 compliance

<For reference> As the color identification, the following alphabet shall be put in the underlined part. For availability, delivery and minimum order quantity, contact JST.

ex. **PHR-2-oo**

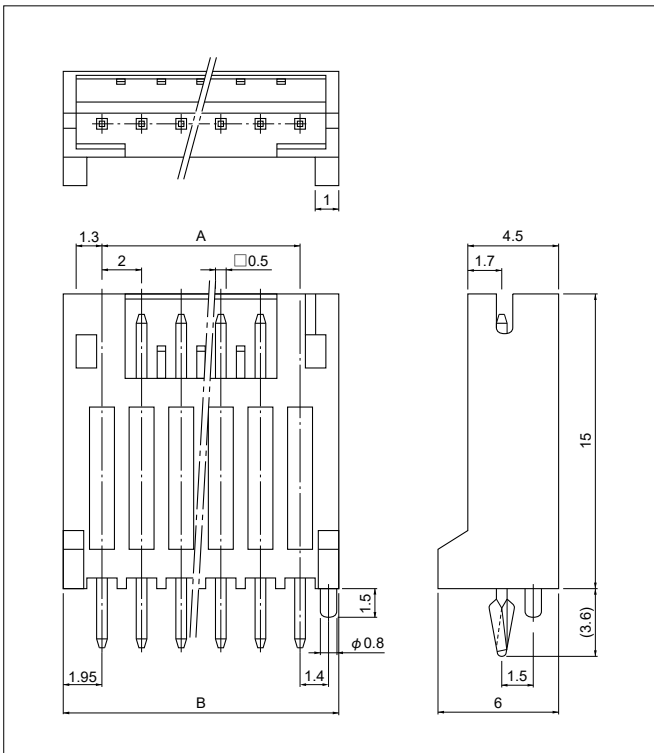
(blank)...natural (white)

BK...black R...red TR...tomato red BL...blue Y...yellow

L...lemon yellow M...green D...orange N...brown P...purple

PK...pink H...gray LE...light blue FY...vivid yellow

## Shrouded header



No. of circuits	Model No.	Dimensions (mm)		Q'ty/box
		A	B	
2	<b>BH2B-PH</b>	2.0	5.9	800
3	<b>BH3B-PH</b>	4.0	7.9	480
4	<b>BH4B-PH</b>	6.0	9.9	400
5	<b>BH5B-PH</b>	8.0	11.9	390
6	<b>BH6B-PH</b>	10.0	13.9	300
7	<b>BH7B-PH</b>	12.0	15.9	240
8	<b>BH8B-PH</b>	14.0	17.9	240
9	<b>BH9B-PH</b>	16.0	19.9	200
10	<b>BH10B-PH</b>	18.0	21.9	200
11	<b>BH11B-PH</b>	20.0	23.9	150
12	<b>BH12B-PH</b>	22.0	25.9	150
13	<b>BH13B-PH</b>	24.0	27.9	100

### Material and Finish

Post: Copper alloy, copper-undercoated, tin-plated (reflow treatment)  
Wafer: PA 66, UL94V-0, natural (white)

### RoHS2 compliance

This product displays (LF)(SN) on a label. <For reference> As the color identification, the following alphabet shall be put in the underlined part. For availability, delivery and minimum order quantity, contact JST.

ex. **BH2B-PH-oo**

(blank)...natural (white)

K...black R...red E...blue Y...yellow M...green N...brown