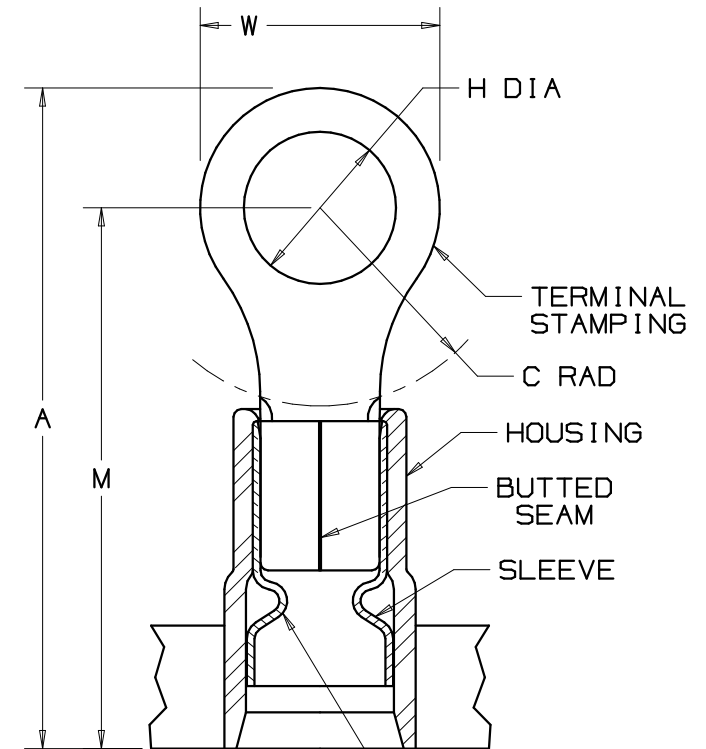


PANDUIT PART NUMBER	PK	MILITARY PART NO. AND CLASS	STUD SIZE	DIMENSIONS in.				
				A ^{±.03} _(.8)	C ^{±.015} _(.4)	H ^{±.01} _(.3)	M ^{±.03} _(.8)	W ^{±.01} _(.3)
PNF18-4R	-3K	-----	#4	.78 (19.8)	.21 (5.3)	.12 (3.1)	.65 (16.5)	.25 (6.4)
PNF18-4RN	-3K	MS25036-148 CLASS 2	#4	.74 (18.8)	.19 (4.8)	.12 (3.1)	.63 (16.0)	.22 (5.6)
PNF18-6R	-3K	MS25036-102 CLASS 2	#6	.78 (19.8)	.21 (5.3)	.15 (3.8)	.65 (16.5)	.25 (6.4)
PNF18-6RN	-3K	MS25036-101 CLASS 2	#6	.74 (18.8)	.16 (4.0)	.15 (3.8)	.63 (16.0)	.22 (5.6)
PNF18-8R	-3K	MS25036-149 CLASS 2	#8	.86 (21.8)	.25 (6.4)	.17 (4.3)	.70 (17.8)	.31 (7.9)
PNF18-10R	-3K	MS25036-103 CLASS 2	#10	.86 (21.8)	.25 (6.4)	.20 (5.1)	.70 (17.8)	.31 (7.9)
PNF18-14R	-3K	MS25036-150 CLASS 2	1/4"	1.06 (26.9)	.38 (9.7)	.27 (6.9)	.84 (21.3)	.46 (11.7)

NOTES:

- UL LISTED AND CSA CERTIFIED FOR:
 - 600V. MAX. VOLTAGE RATING
 - 221°F. (105°C) MAX. TEMP. RATING
 - #22-18 (0.5-1.5mm² AWG SOLID OR STRANDED COPPER WIRE
- MATERIAL:
 - STAMPING- .03" (.8) THK. COPPER, TIN PLATED
 - HOUSING- NYLON, RED
 - SLEEVE- BRASS, TIN PLATED
- WIRE STRIP LENGTH- 1/4" +1/32, -0 (6.4, +.8, -0)
 - MAX WIRE INSULATION DIAMETER: .145 (3.68)
 - MIN. WIRE INSULATION DIAMETER: .090 (2.29)
- PACKAGE QUANTITY: 3K = 3000 PCS.
- DIMENSIONS IN PARENTHESIS ARE IN MILLIMETERS
- INSTALLATION TOOLS:
 - PRESSES - CP-851, CP-860, CP-861, CP-871
 - APPLICATOR - CA-800, CA9
 - DIE INSERTS - CD-800-1, CD9-1A,B



CARRIER STRIP
(CONFIGURATION MAY VARY)



LISTED
587H
E52164



CERTIFIED
LR31212

A41145_07

Panduit part numbers shown on this drawing meet the material requirements of RoHS (EUROPEAN DIRECTIVES 2002/95/EC) as proposed by the Technical Adaptation Committee

REV	DATE	BY	CHK	DESCRIPTION	ECN	CUST	PM	DRAWN BY	CHK'D	SCALE	DRAWING NO
07	8/06	DAW	DAW	ADDED MILITARY PART NO. & CLASS	TRO0155	LCA	TRO				
06	12/00	ED	SKE	FILESPEC WAS: N41145AA_PCD_05	08925	CCH	JAC				
05	12/96	JAME		ADDED NOTE, "MIN. WIRE INSULATION DIA."	05401						
								FES	FS	NONE	A41145

PANDUIT

CORP.

TINLEY PARK, ILLINOIS

REELSMART™ TERMO™
3PC CONTINUOUSLY MOLDED NYLON INSULATED
FUNNEL ENTRY 22-18 BARREL RINGS