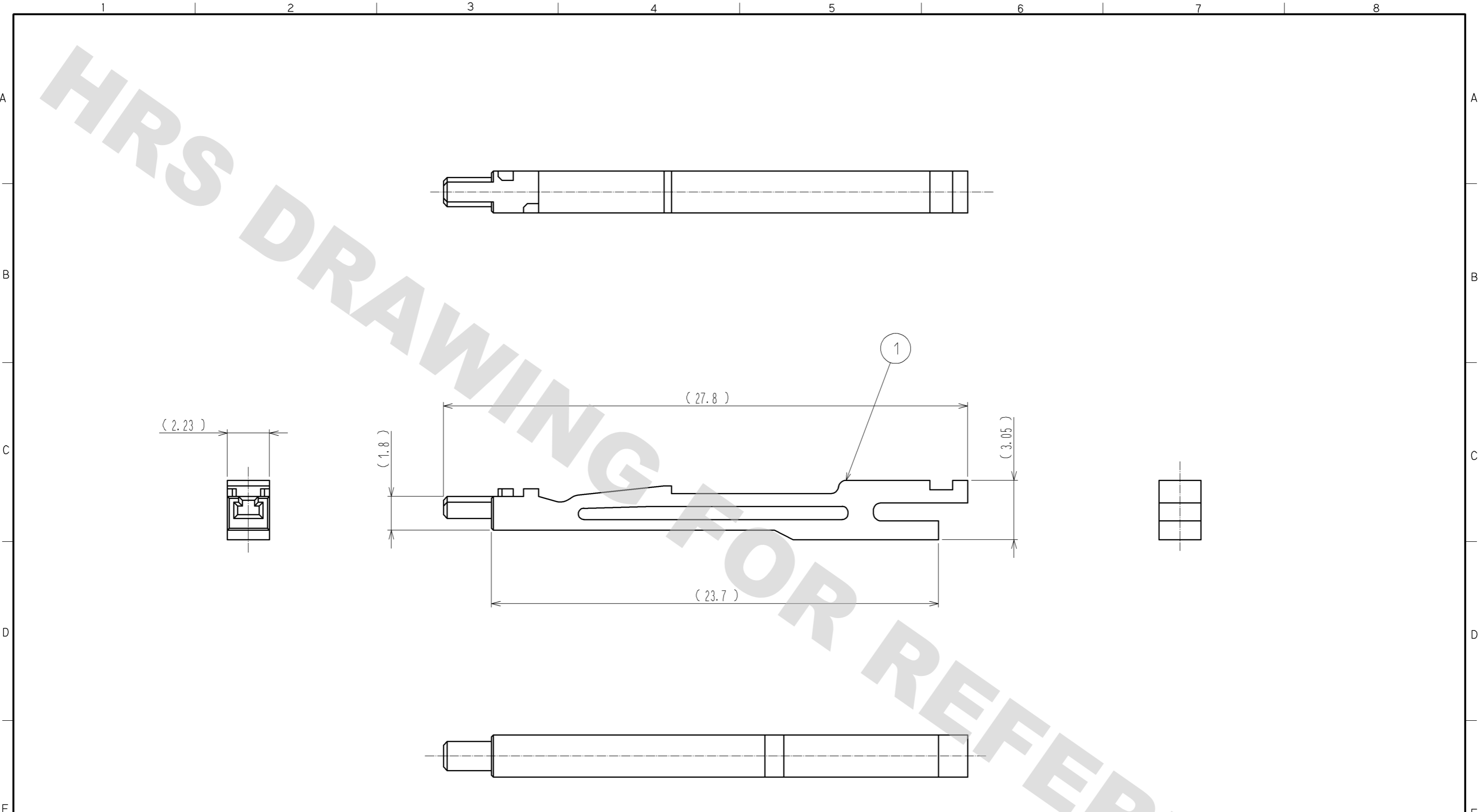


DRAWING FOR REFERENCE: This is subject to change without notice
08/11/2012



NOTE 1 REFER TO ETAD-E2961 FOR THE APPLICABLE COMPONENT ASSEMBLED WITH THIS PRODUCT.
2 THIS PRODUCT IS AVAILABLE 100 PCS IN ONE PACK.

1	PBT	UL94V-0. COLOR : WHITE				
NO.	MATERIAL	FINISH . REMARKS	NO.	MATERIAL	FINISH . REMARKS	
UNITS mm		SCALE 5 : 1		DESCRIPTION OF REVISIONS		DESIGNED
						CHECKED
						DATE
HIROSE ELECTRIC CO., LTD.			APPROVED : A0. SUZUKI	12. 02. 10	DRAWING NO. EDC3-127721-00	
			CHECKED : KN. ICHIKAWA	12. 02. 10	PART NO. PQ50S-SC-KY	
			DESIGNED : TU. TANIGUCHI	12. 02. 10	CODE NO. CL236-2033-7-00	
			DRAWN : P. EKSOURIYA	12. 02. 07	1/1	