

YOUR BEST BUSINESS PARTNER

HONESTY · UNITY · QUALITY · RESEARCH · STRIVE

Product List

Electrical Terminals

NYLON-INSULATED DOUBLE CRIMP RING TERMINALS

Lighting system

3C Connector

Automotive Connectors

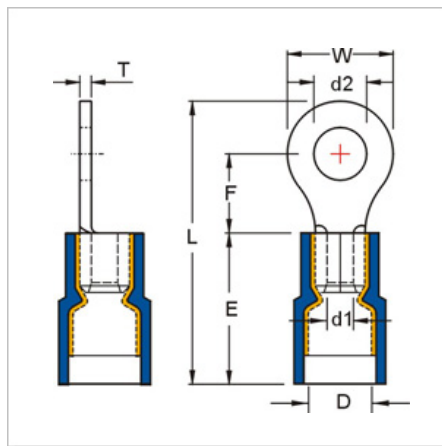
Nylon Cable Ties



Search Information

Home > Product Information > search

PRODUCT SEARCH LIST



MAXIMUM ELECTRIC CURRENT:

A.W.G.	22	20	18	16	14	12	10
AMP.	9	12	17	18	30	35	50

MAXIMUM ELECTRICAL RATING: 105°C 600 VOLTS MAX

INSULATION MATERIAL: NYLON

INSULATION COLOR:

22-16A.W.G.: RED ■ 16-14A.W.G.: BLUE ■

12-10A.W.G.: YELLOW ■

TERMINAL MATERIAL: COPPER

DOUBLE CRIMP: WITH COPPER SLEEVE ON BARREL

Add_To_Inquiry

Send_Inquiry

Product in the inquiry

Product List (Total: 1 records)

Data Source Page NO. 1/4 P.168,

WIRE RANGE A.W.G. mm ²	ITEM NO.	STUD SIZE d2	DIMENSION inch(mm)								Q'TY BOX
			W	F	L	E	D	d1	T		
12-10 A.W.G.	<input type="checkbox"/> RNYDL5-4	#8	0.169 4.3	0.374 9.5	0.327 8.3	1.024 26	0.512 13	0.276 7.000	0.134 3.4	0.039 1	500

Data Source Page NO.145P.168.



Copyright © K.S.TERMINALS INC. 8,E.3RD ROAD CHANG PIN IND.PARK, HSIEN SHI,CHANG
HWA,TAIWAN,R.O.C.
TEL: 886-4-7582765 | FAX: 886-4-7582786 | E-MAIL: exp@ksterminals.com.tw

B2B Global-Trade , Global Machine ,
Global Bicycle , Shopping HiGo.

...sitemap

Sitemap Automotive Connector Solar Connector Cord End Terminals Plastic Cable Tie