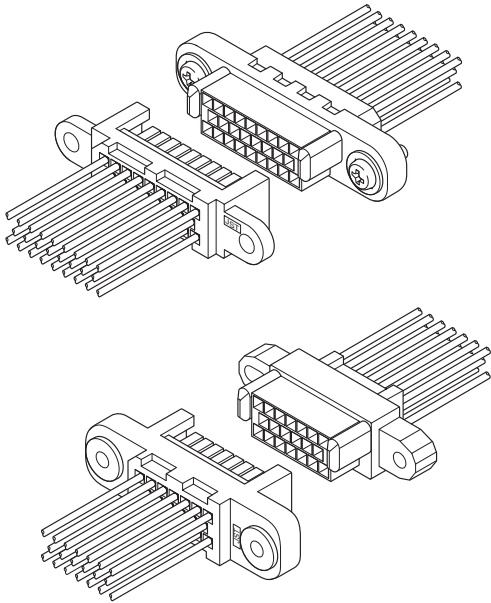


# RPJ CONNECTOR

2.7mm pitch/Disconnectable Crimp style Wire-to-wire connectors



The pin and socket are adopted for use as the small rack panel connector.

- Compact design
- Structure
- Contact lance

## Specifications

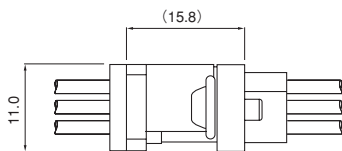
- Current rating: 2A AC, DC (AWG #24)
- Voltage rating: 250V AC, DC
- Temperature range: -25°C to +85°C  
(including temperature rise in applying electrical current)
- Contact resistance: Initial value/20m Ω max.  
After environmental testing/30m Ω max.
- Insulation resistance: 1,000M Ω min.
- Withstanding voltage: 1,000V AC/minute
- Applicable wire: AWG #28 to #24
- \* Compliant with RoHS.
- \* Refer to "General Instruction and Notice when using Terminals and Connectors" at the end of this catalog.
- \* Contact JST for details.

## Standards

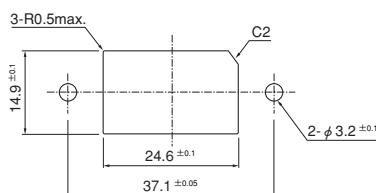
- Ⓜ Recognized E60389
- Ⓢ Certified LR20812
- ⚠ J50185783

## Panel layout and Assembly layout

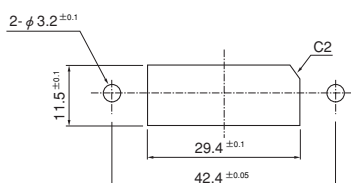
### Plug



(20 circuits)



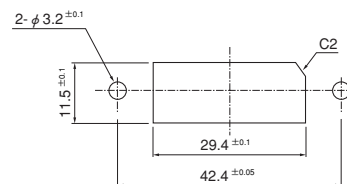
(26 circuits)



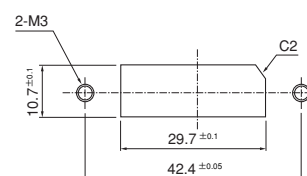
### Receptacle



(20 circuits)

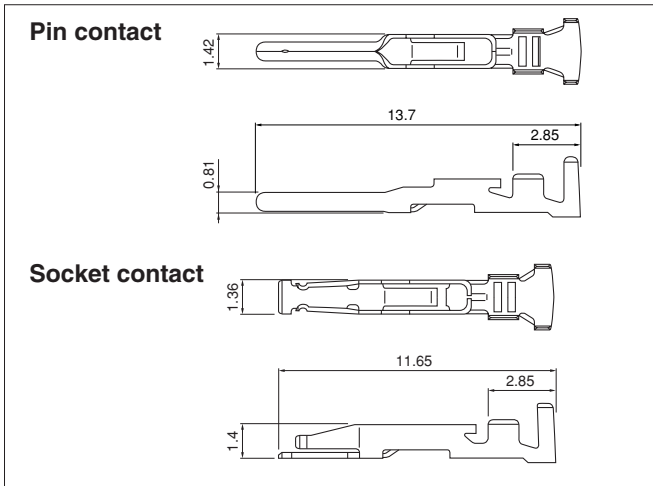


(26 circuits)



# RPJ CONNECTOR

## Contact



Model No.		Applicable wire		Insulation O.D. (mm)	Q'ty / reel
Pin contact	Socket contact	mm <sup>2</sup>	AWG #		
<b>RPJ-SP2331</b>	<b>RPJ-SS2331</b>	0.08~0.22	28~24	0.9~1.5	10,000

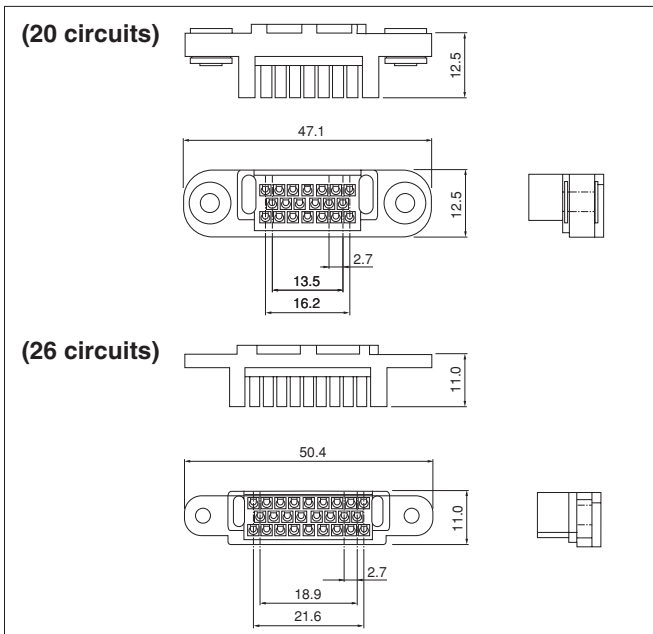
### Material and Finish

Phosphor bronze, nickel-undercoated, gold-plated

### RoHS compliance

Contact	Crimping machine	Applicator		
		Crimp applicator	Dies	Crimp applicator with dies
<b>RPJ-SP2331</b>	AP-K2N	MKS-L	MK/RPJ-SP/SS2	APLMK RPJ-SP/SS2
<b>RPJ-SS2331</b>		—	—	—

## Plug housing (for socket contact)



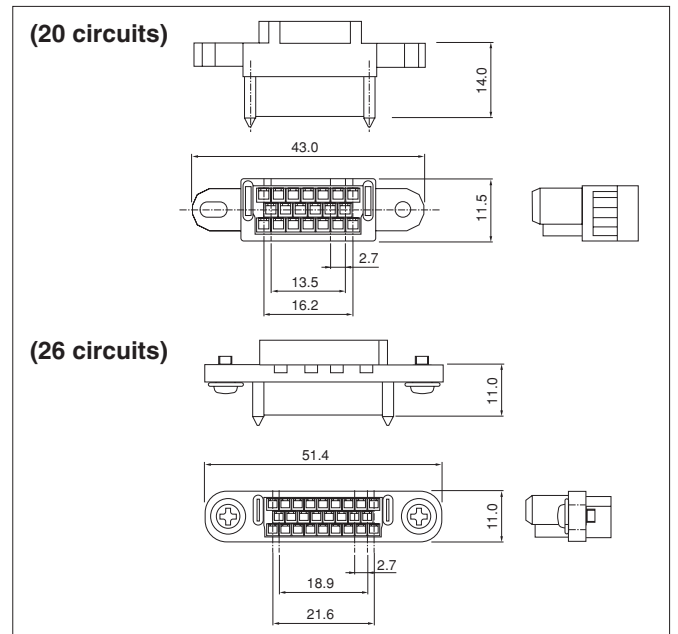
Circuits	Model No.	Q'ty / box
20	<b>RPJ-20PRW</b>	50
26	<b>RPJ-26P</b>	50

### Material and Finish

Plug housing: Glass-filled PBT, UL94V-0  
 Washer: Brass, nickel-plated (RPJ-20PRW)  
 Rivet: Brass, nickel-plated (RPJ-20PRW)

### RoHS compliance

## Receptacle housing (for pin contact)



Circuits	Model No.	Q'ty / box
20	<b>RPJ-20R</b>	50
26	<b>RPJ-26RS</b>	50

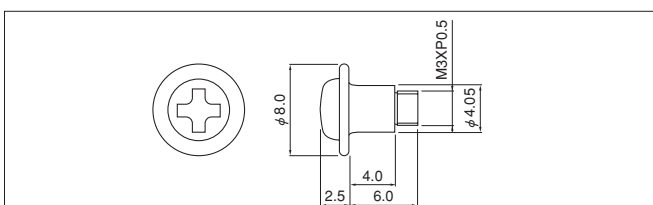
### Material

Receptacle housing: Glass-filled PBT, UL94V-0

### RoHS compliance

Note: Two screws are supplied under the same package of RPJ-26RS.

## Screw



Note: Two screws are supplied for one receptacle housing, RPJ-26RS.