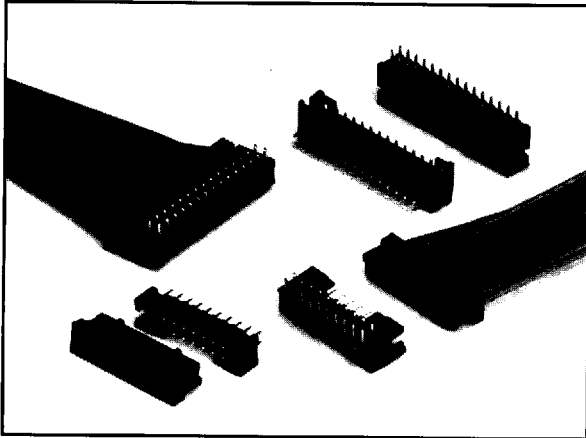


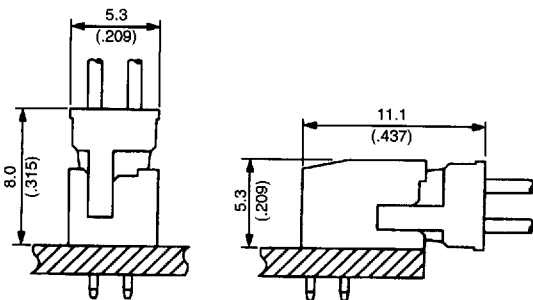
LY SERIES CONNECTORS

2.0mm (.079") Contact Spacing, PCB-to-Cable (Crimp Type) Connectors



FEATURES

- Snap latch housing resists shock and vibration
- UL94V-0 rated insulator material
- Dual wipe stamped snap-in socket contacts
- Pin headers are available in straight and right angle PCB mounting configurations
- Both gold and tin plated contacts are available
- Polarized housing prevents mismatching



.....

LY Series connectors are low profile PCB-to-cable connectors developed for the consumer market place (VCR's) and office automation market place (Fax, Mobile Telephones and Floppy Disc Drives). The LY Series connectors have a snap latch mechanism with a box-type housing. Stamped crimp style socket contacts are easily assembled making this connector efficient and very cost effective. A polarizing feature prevents mismatching.

GENERAL SPECIFICATIONS

Number of Contacts	4 to 44
Contact Spacing	2.0mm (.079") Grid
Current Rating	3 Amps
Operating Voltage	250 VAC r.m.s.
Dielectric Withstanding Voltage	500 VAC r.m.s. (for one minute after test)
Insulation Resistance	100 megohms min. (after test)
Contact Resistance	20 milliohms max. (after test)
Operating Temperature	-40°C to +85°C
Applicable PCB Thickness	1.6mm (.063")
Applicable Wire Size	#22 to #30 AWG (stranded)

MATERIALS AND FINISHES

Description	Materials/Finishes
Insulators	Glass-filled 6-6 Nylon (UL94V-0, Black)
Contacts	Phosphor Bronze Code 1. Connecting Area: Gold, 0.1µm min. (.000004") over Nickel Terminal Area: Solder (SnPb) Plating 5. Tin Plating

Dimensions and specifications subject to change without notice.



Hong Kong
Tel: 852-2723-7782
Fax: 852-2723-9028

Japan
03-3780-2715
03-3780-2883

Singapore
65-748-1332
65-748-2920

Taiwan
02-555-9711
02-556-5424

United Kingdom
1276-21717
1276-66165

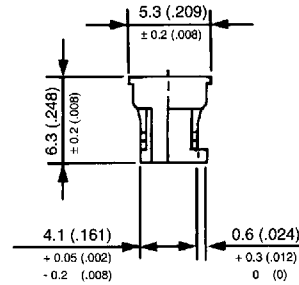
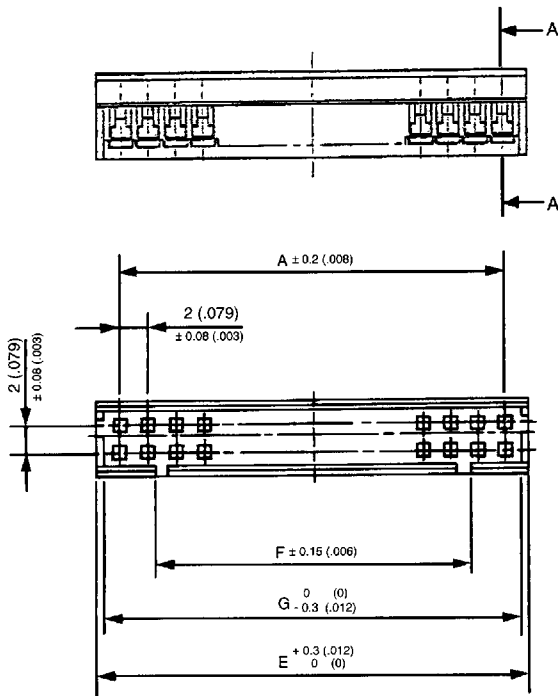
United States
714-753-2600
714-753-2699

D 05F ■ 4893465 0000708 10T ■

LY SERIES CONNECTORS

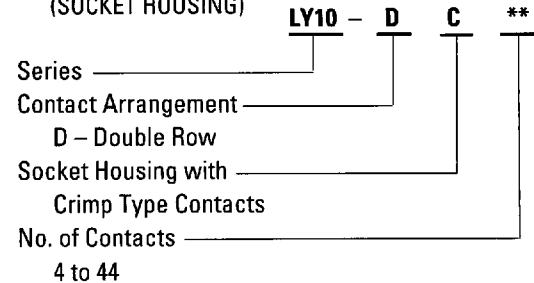
2.0mm (.079") Contact Spacing, PCB-to-Cable (Crimp Type) Connectors

SOCKET HOUSING



SECTION A-A

ORDERING INFORMATION (SOCKET HOUSING)



Socket Contacts (Crimp Type)

Part Number	Applicable Wire (Stranded)	
	AWG No.	Wire insulation outer diameter
LY10-C1-*-10000	#22 to #26	ø0.8 to ø1.3mm
LY10-C2-*-10000	#26 to #30	ø0.7 to ø1.2mm

Note 1: * Add finish code 1 or 5 (See Materials and finishes on page 120).

Note 2: Socket contacts are supplied on 10,000 unit reels.

Crimp Tools

Applicable Wire	Hand Tool	Semi-Auto Machine
#22 to #26	CT150-4-LY1	Model CT350-2
#26 to #30	CT150-4-LY2	

No. of Contacts	Socket Housing	A	E	F	G
4	LY10-DC 4	2 (.079)	5.6 (.220)	—	4.5 (.177)
6	LY10-DC 6	4 (.157)	7.6 (.299)	—	6.5 (.256)
8	LY10-DC 8	6 (.236)	9.6 (.378)	1 (.039)	8.5 (.335)
10	LY10-DC 10	8 (.315)	11.6 (.457)	3 (.118)	10.5 (.413)
12	LY10-DC 12	10 (.394)	13.6 (.535)	5 (.197)	12.5 (.492)
14	LY10-DC 14	12 (.472)	15.6 (.614)	7 (.276)	14.5 (.571)
16	LY10-DC 16	14 (.551)	17.6 (.693)	9 (.354)	16.5 (.650)
18	LY10-DC 18	16 (.630)	19.6 (.772)	11 (.433)	18.5 (.728)
20	LY10-DC 20	18 (.709)	21.6 (.850)	13 (.512)	20.5 (.807)
22	LY10-DC 22	20 (.787)	23.6 (.929)	15 (.590)	22.5 (.886)
24	LY10-DC 24	22 (.866)	25.6 (1.008)	17 (.669)	24.5 (.964)
26	LY10-DC 26	24 (.945)	27.6 (1.087)	19 (.748)	26.5 (1.043)
28	LY10-DC 28	26 (1.024)	29.6 (1.165)	21 (.827)	28.5 (1.122)
30	LY10-DC 30	28 (1.102)	31.6 (1.244)	23 (.906)	30.5 (1.201)
32	LY10-DC 32	30 (1.181)	33.6 (1.323)	25 (.984)	32.5 (1.280)
34	LY10-DC 34	32 (1.260)	35.6 (1.402)	27 (1.063)	34.5 (1.358)
36	LY10-DC 36	34 (1.338)	37.6 (1.480)	29 (1.142)	36.5 (1.437)
38	LY10-DC 38	36 (1.417)	39.6 (1.559)	31 (1.220)	38.5 (1.516)
40	LY10-DC 40	38 (1.496)	41.6 (1.638)	33 (1.299)	40.5 (1.594)
42	LY10-DC 42	40 (1.575)	43.6 (1.716)	35 (1.378)	42.5 (1.673)
44	LY10-DC 44	42 (1.654)	45.6 (1.795)	37 (1.457)	44.5 (1.752)

Dimensions in mm (inches).

05F 4893465 0000711 7T4

Hong Kong
Tel: 852-2723-7782
Fax: 852-2723-9028

Japan
03-3780-2715
03-3780-2883

Singapore
65-748-1332
65-748-2920

Taiwan
02-555-9711
02-556-5424

United Kingdom
1276-21717
1276-66165

United States
714-753-2600
714-753-2699

