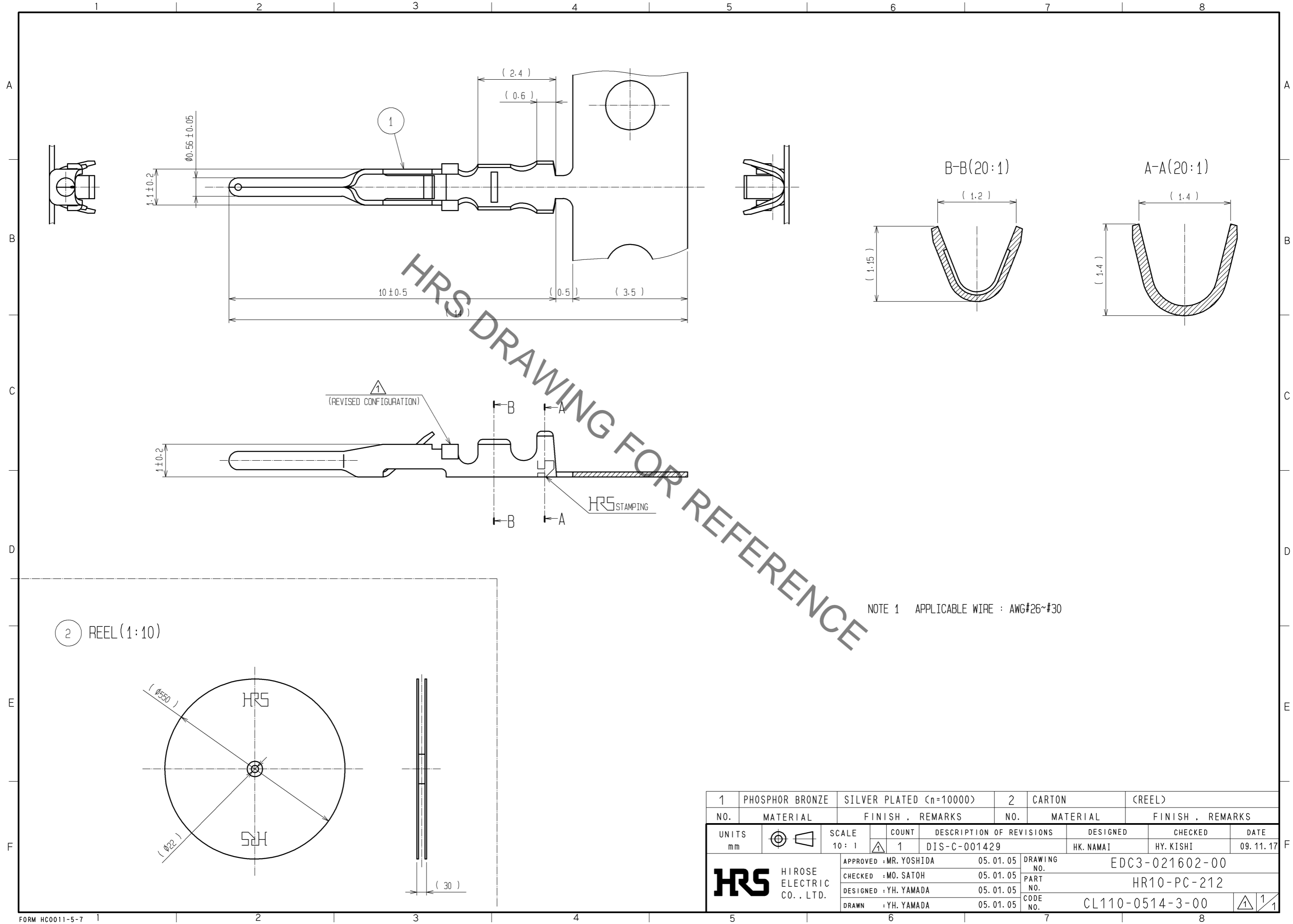


Jun.1.2019 Copyright 2019 HIROSE ELECTRIC CO., LTD. All Rights Reserved.
 In case of consideration for using Automotive equipment / device which demand high reliability, kindly contact our sales window correspondents.



NOTE 1 APPLICABLE WIRE : AWG#26~#30

1	PHOSPHOR BRONZE	SILVER PLATED (n=10000)	2	CARTON	(REEL)
NO.	MATERIAL	FINISH . REMARKS	NO.	MATERIAL	FINISH . REMARKS
UNITS mm		SCALE 10 : 1	COUNT 1	DESCRIPTION OF REVISIONS	
			DIS-C-001429		DESIGNED HK. NAMAI
			APPROVED : MR. YOSHIDA 05.01.05		CHECKED HY. KISHI
			CHECKED : MO. SATOH 05.01.05		DATE 09.11.17
			DESIGNED : YH. YAMADA 05.01.05		DRAWING NO. EDC3-021602-00
			DRAWN : YH. YAMADA 05.01.05		PART NO. HR10-PC-212
					CODE NO. CL110-0514-3-00