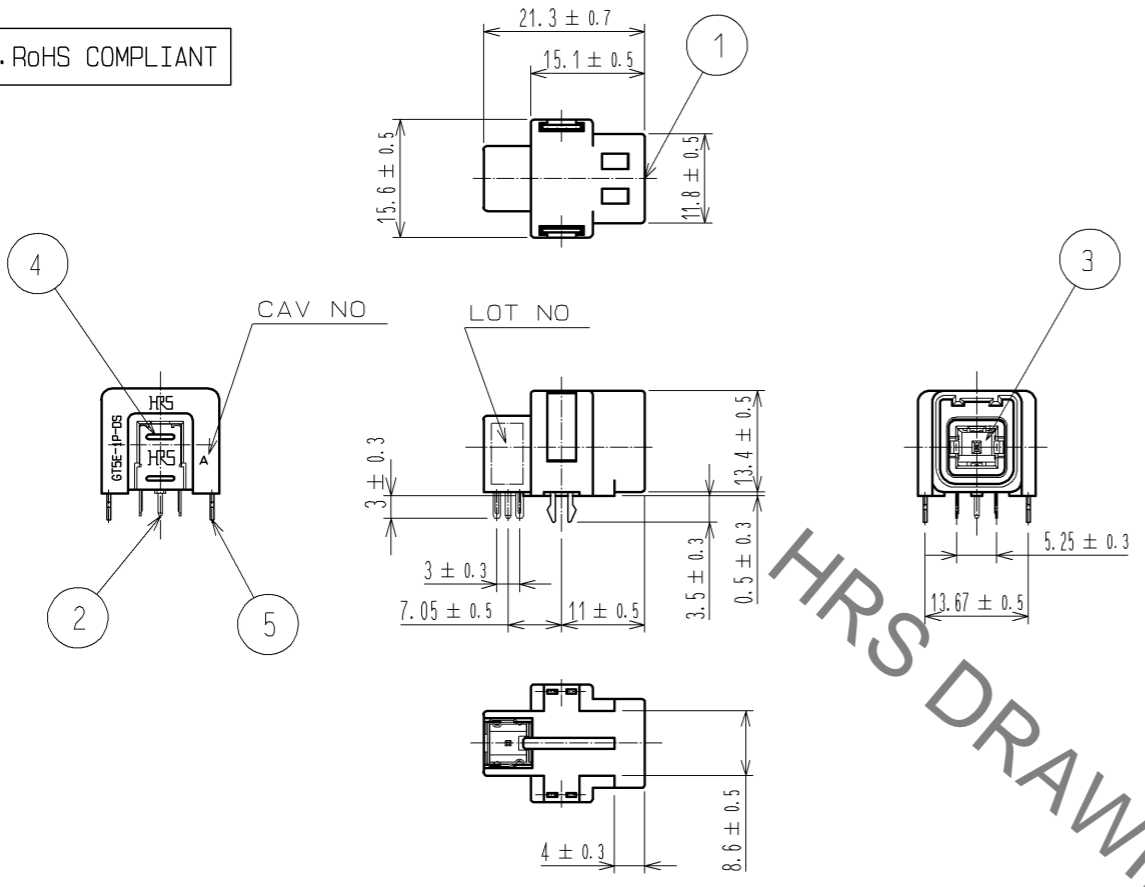
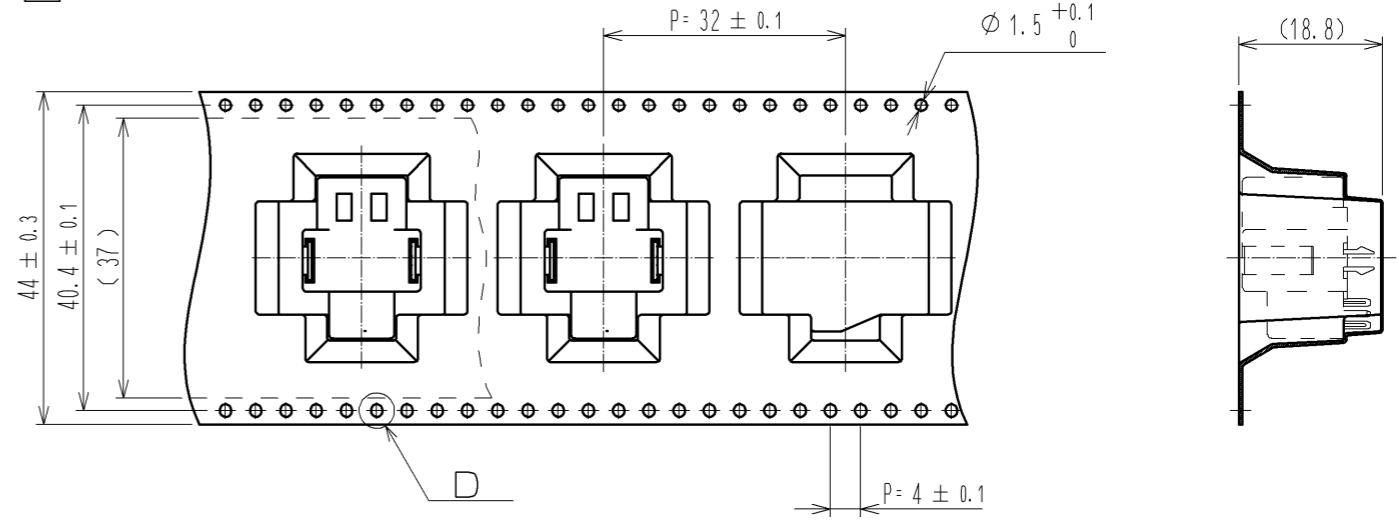


Jun.1.2019 Copyright 2019 HIROSE ELECTRIC CO., LTD. All Rights Reserved.
In case of consideration for using Automotive equipment / device which demand high reliability, kindly contact our sales window correspondents.

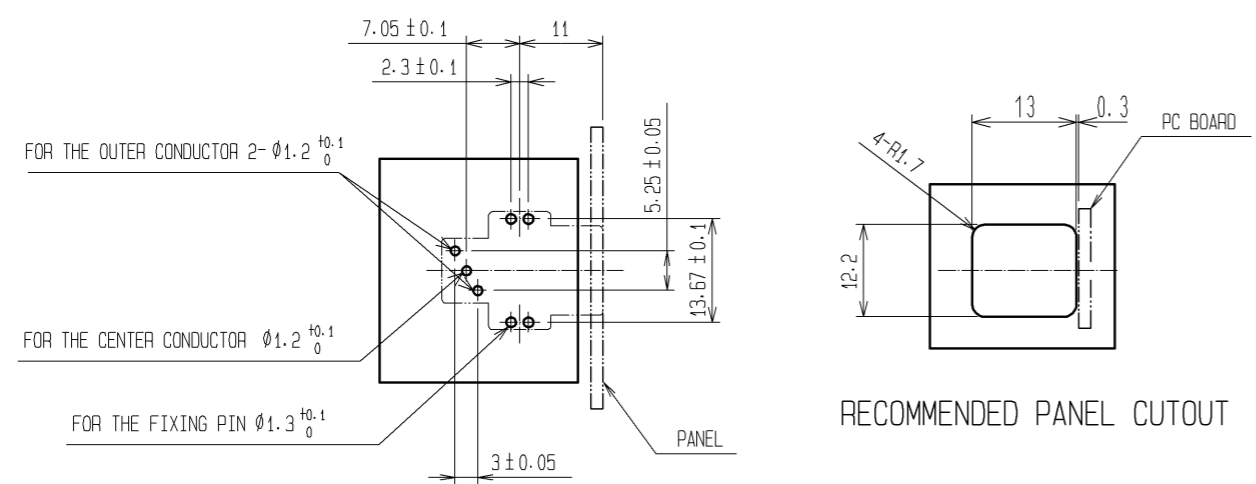
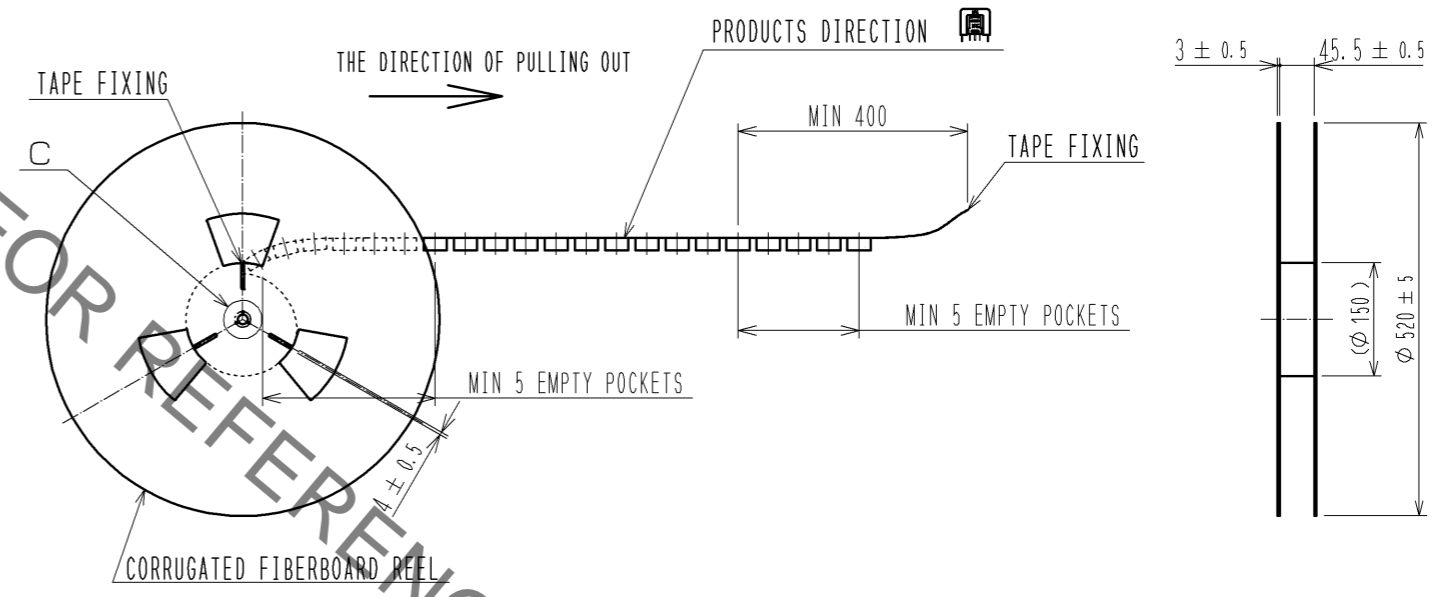
ELV. RoHS COMPLIANT



PACKAGING SPECIFICATION

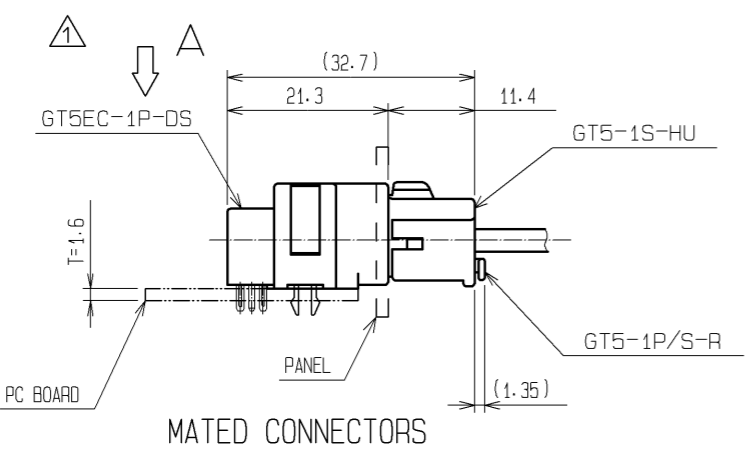


REEL DIMENSIONS (FREE)
230 PIECES PER REEL.

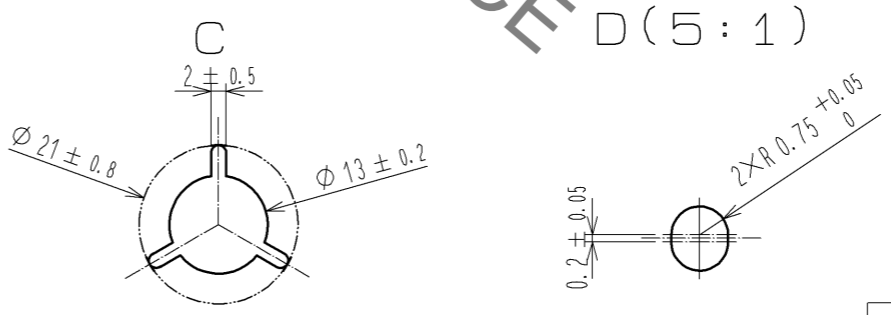


RECOMMENDED PC BOARD HOLE PATTERN
(A DIRECTION VIEW)

RECOMMENDED PANEL CUTOUT



MATED CONNECTORS



2	BRASS	TIN PLATED	5	PHOSPHOR BRONZE	TIN PLATED
1	PA	UL94V-0, NATURAL	4	PHOSPHOR BRONZE	TIN PLATED
			3	PA	UL94V-0, BLACK
NO.	MATERIAL	FINISH, REMARKS	NO.	MATERIAL	FINISH, REMARKS
UNITS	mm	SCALE	1:1	COUNT	2
		DESCRIPTION OF REVISIONS	DESIGNED	CHECKED	DATE
		DIS-T-001547	RZ. KANO	MO. OKADA	10.01.20
APPROVED: AR. SHIRAI		09.09.09	DRAWING NO. EDC3-167772-00		
CHECKED: MO. OKADA		09.09.09	PART NO. GT5EC-1P-DS		
DESIGNED: RZ. KANO		09.09.04	CODE NO. CL755-0125-1-00		
DRAWN: RZ. KANO		09.09.04	1/1		