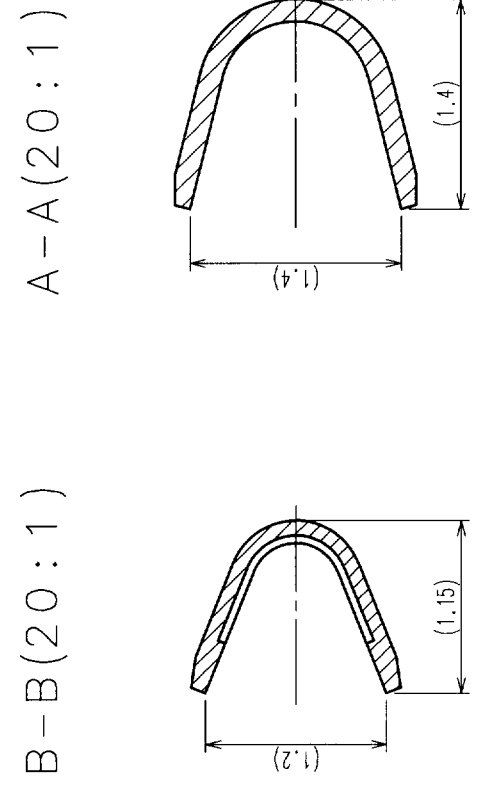
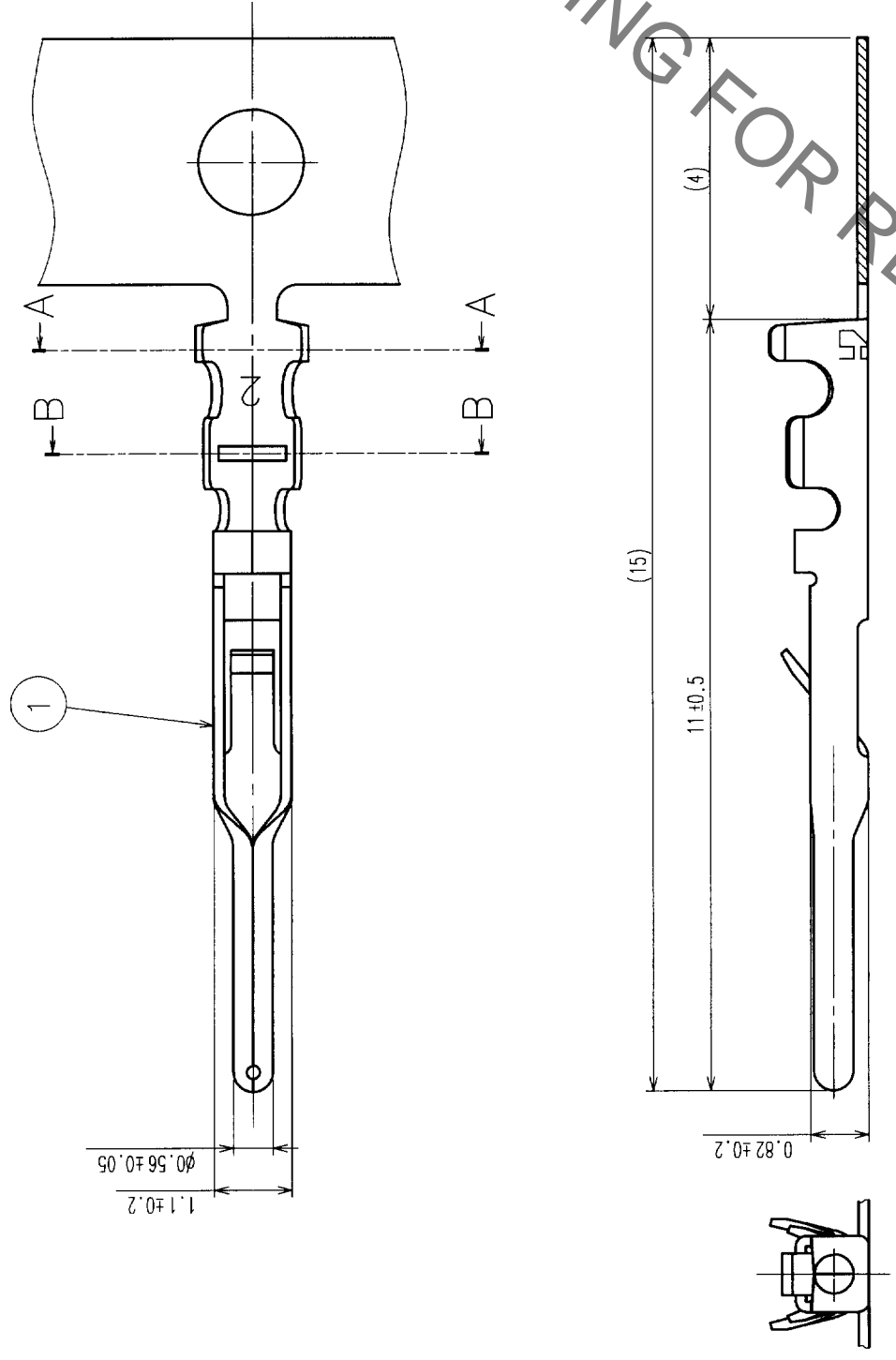


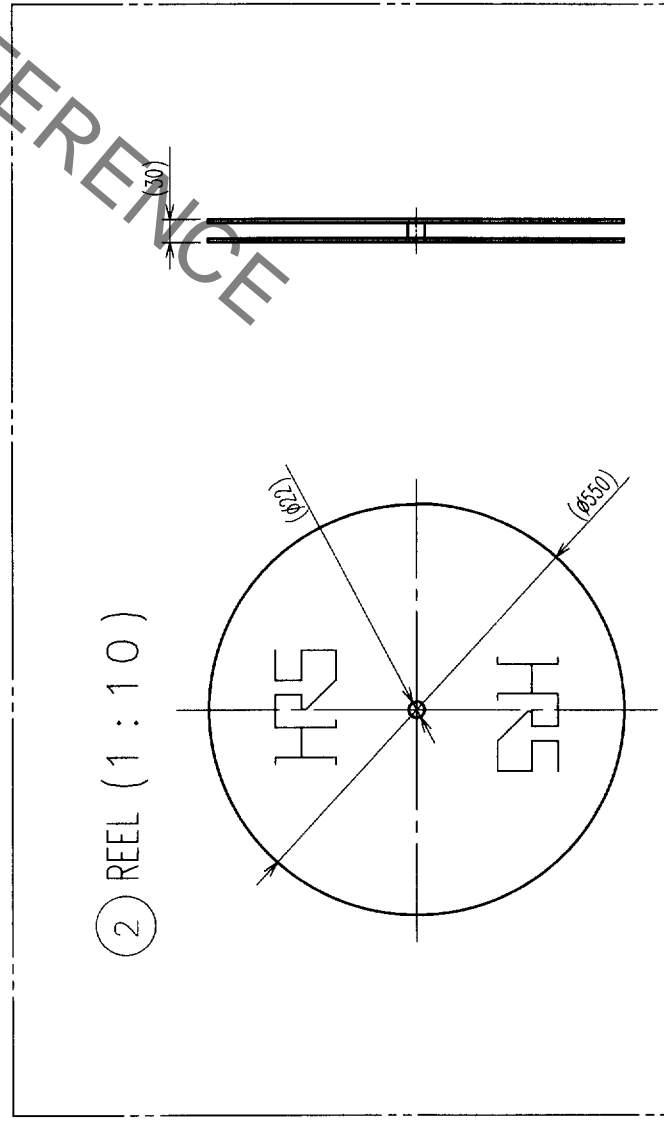
In case of consideration for using Automotive equipment / device which demand high reliability, kindly contact our sales window correspondents.

Jun. 1. 2019 Copyright 2019 HIROSE ELECTRIC CO., LTD. All Rights Reserved.

COUNT	DESCRIPTION OF REVISIONS	BY	CHKD	DATE	COUNT	DESCRIPTION OF REVISIONS	BY	CHKD	DATE
△					△				
△					△				
△					△				



3 > FIG. 1 RECOMMENDED CABLE PREPARATION DIMENSIONS



2 REEL (1 : 10)

- NOTES
- 1 THIS PRODUCT IS APPLY TO THE WIRE 26-30 AWG(WIRE JACKET DIAMETER φ1 MAX).
 - 2 PER REEL : 10000 CONTACTS
 - 3 > RECOMMENDED CABLE PREPARATION DIMENSIONS ARE SHOWN IN FIG. 1.

NO.	PHOSPHOR BRONZE MATERIAL	SELECTIVE GOLD PLATING FINISH, REMARKS	CARTON NO.	(TERMINAL WINDING REEL) MATERIAL
1			2	

CODE NO. (OLD)	DRAWN	DESIGNED	CHECKED	APPROVED	RELEASED
	H. ZEMBA	H. ZEMBA	E. KUMI	M. YOSHIDA	

DRAWING NO.	PART NO.
EDC3-112452	HR30-PC-211

SCALE	UNITS	CODE NO.
10 : 1	mm	CL130-0016-0

TO	
R	

