

SPECIFICATIONS

Mechanical

Contact Retention Force: 1.36KGF Min
Durability: 500 Cycles

Electrical

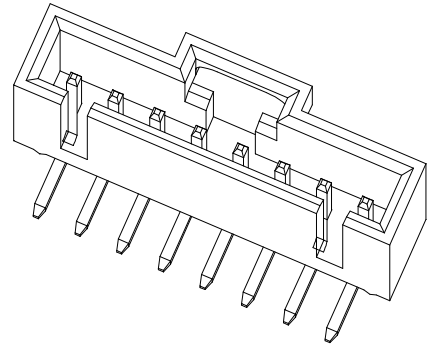
Voltage Rating: 600V
Current Rating: 3.0A per pin min
Insulation Resistance: 1000MW min

Physical

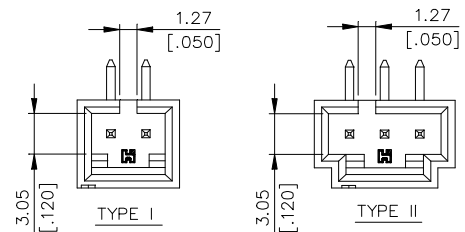
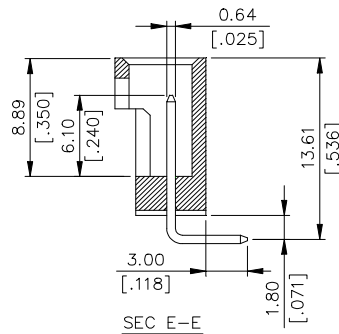
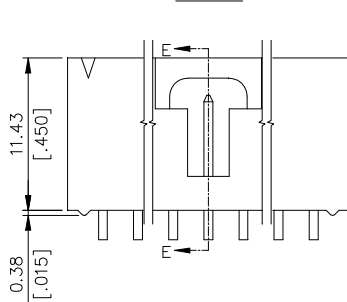
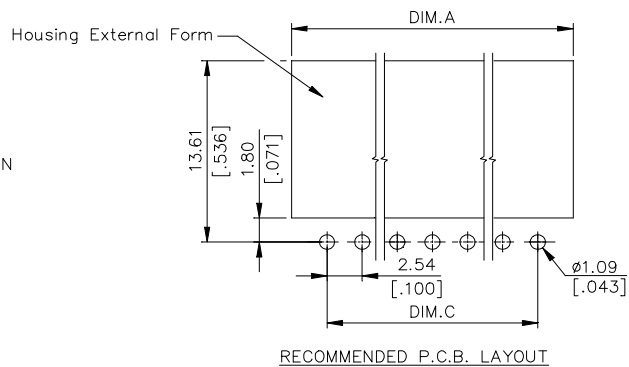
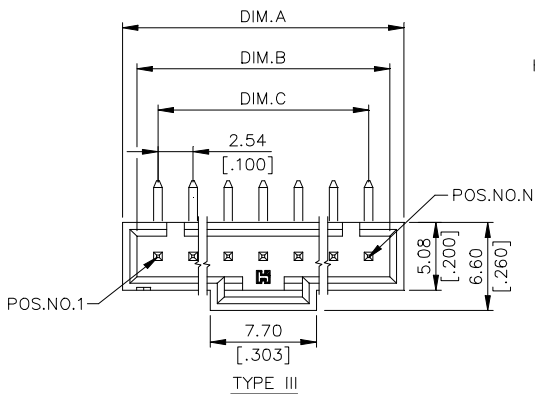
Housing: Thermoplastic, Glass Filled, UL94V-0 Rating
Contact: Copper Alloy
Plating: See "ORDERING INFORMATION"
Operating Temperature: -50 to +105

Friction Header Connector

HF02 Series
Friction R/A Type
2.54mm [.100"] Pitch



DRAWING



ORDERING INFORMATION

PRODUCT NO.: H F 02 * * * - * * *

Header Series

Friction Header Type

Termination & Contact Type

No. of Pos.
 02 = 02 Pos.
 :
 06 = 06 Pos.

Modification Code
 None=Standard Type
 P3 : 2nd Pin is Remove
 D5 : 3rd Pin is Remove

Housing Color
 None: Color Black
 N: Color Ivory
 G: Color Green

Contact Area Plating
 0=Tin/Lead Plating over all
 A=15u" Min. Gold Plating over all

HF0206*-***	6	17.83 [.702]	15.75 [.620]	12.70 [.500]	III
HF0205*-***	5	15.29 [.602]	13.21 [.520]	10.16 [.400]	III
HF0204*-***	4	12.75 [.502]	10.67 [.420]	7.62 [.300]	III
HF0203*-***	3	10.21 [.402]	8.13 [.320]	5.08 [.200]	II
HF0202*-***	2	7.40 [.291]	5.33 [.210]	2.54 [.100]	I
P/N	POS	DIM.A	DIM.B	DIM.C	TYPE