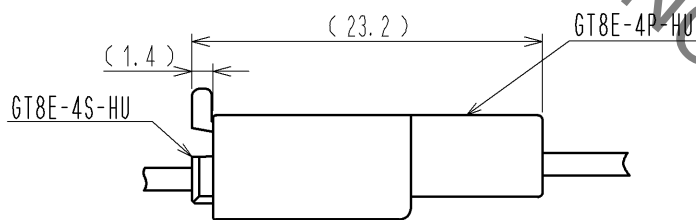
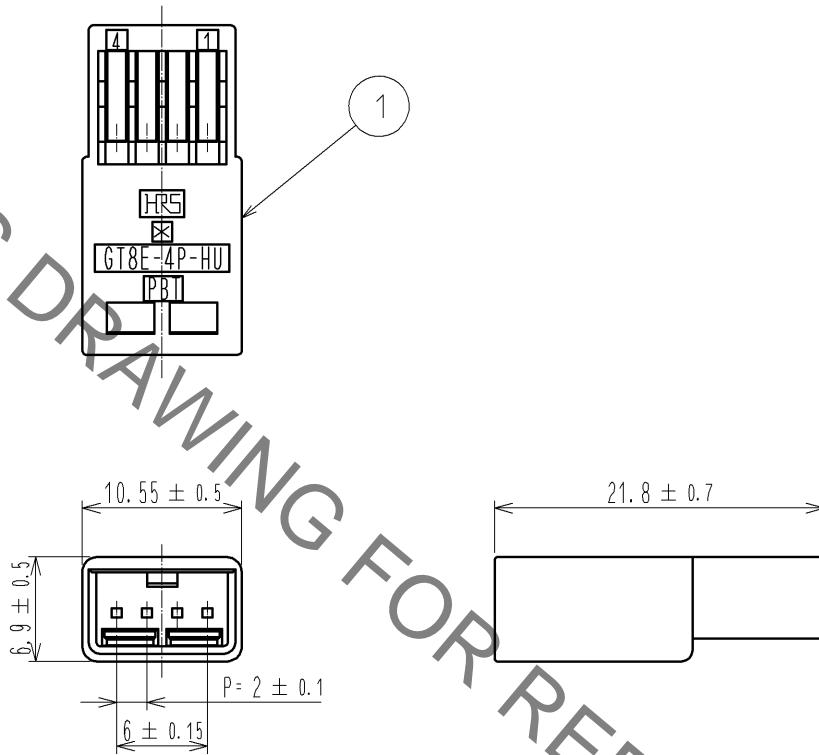


Jun.1.2019 Copyright 2019 HIROSE ELECTRIC CO., LTD. All Rights Reserved.  
 In case of consideration for using Automotive equipment / device which demand high reliability, kindly contact our sales window correspondents.

ELV. RoHS COMPLIANT



MATING CONFIGURATION

1	PBT	BLACK						
NO.	MATERIAL	FINISH	REMARKS	NO.	MATERIAL	FINISH	REMARKS	
UNITS mm		SCALE 2 : 1	COUNT 	DESCRIPTION OF REVISIONS		DESIGNED	CHECKED	DATE
<b>HRS</b> HIROSE ELECTRIC CO., LTD.	APPROVED	: AR. SHIRAI	10.10.19	DRAWING NO.		EDC4-167412-01		
	CHECKED	: NH. NAKATA	10.10.18	PART NO.		GT8E-4P-HU		
	DESIGNED	: NA. HARUBAYASHI	10.10.18	CODE NO.		CL758-0082-0-00		
	DRAWN	: Chinai.k.Ng	10.10.18			1/1		