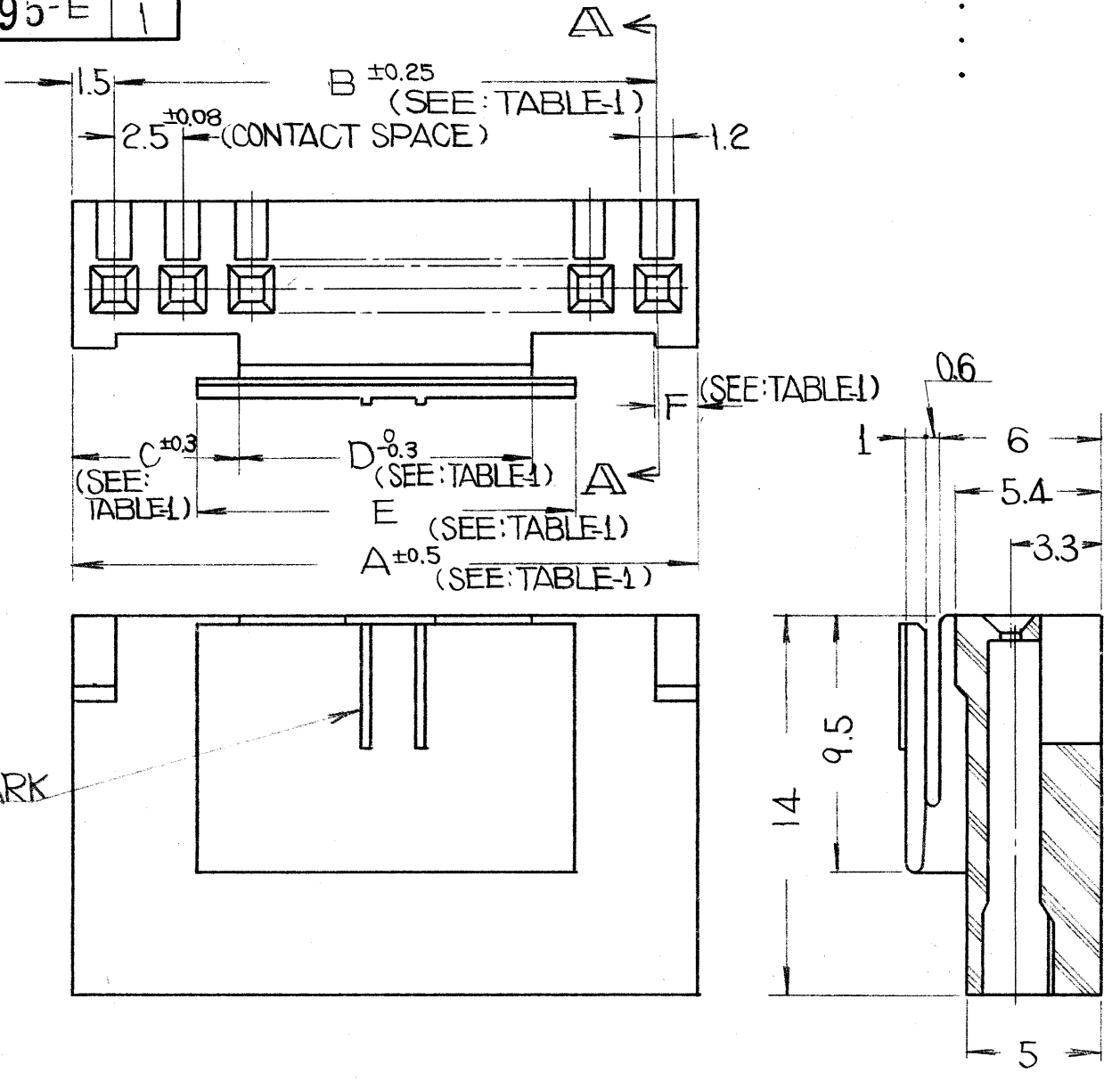


DWG. NO. **SJ015095-E**
 SYM. **1**

SYM.	DCN NO.	DESCRIPTION	DATE	DRAWN	CHECKED	APP'D	APP'D
------	---------	-------------	------	-------	---------	-------	-------



IDENT. MARK

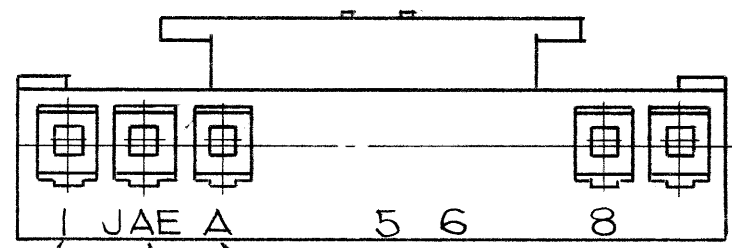
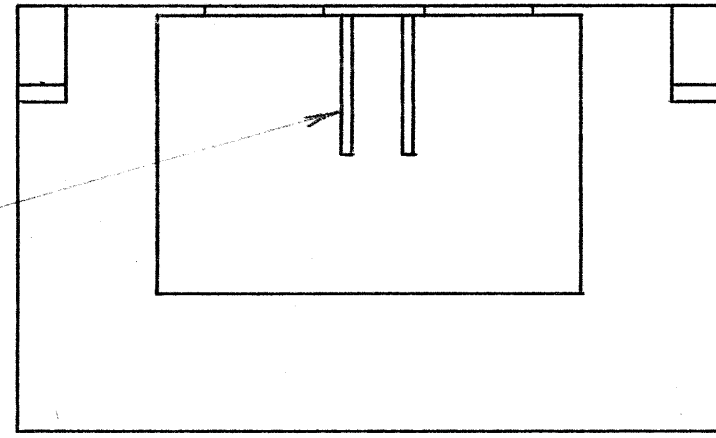


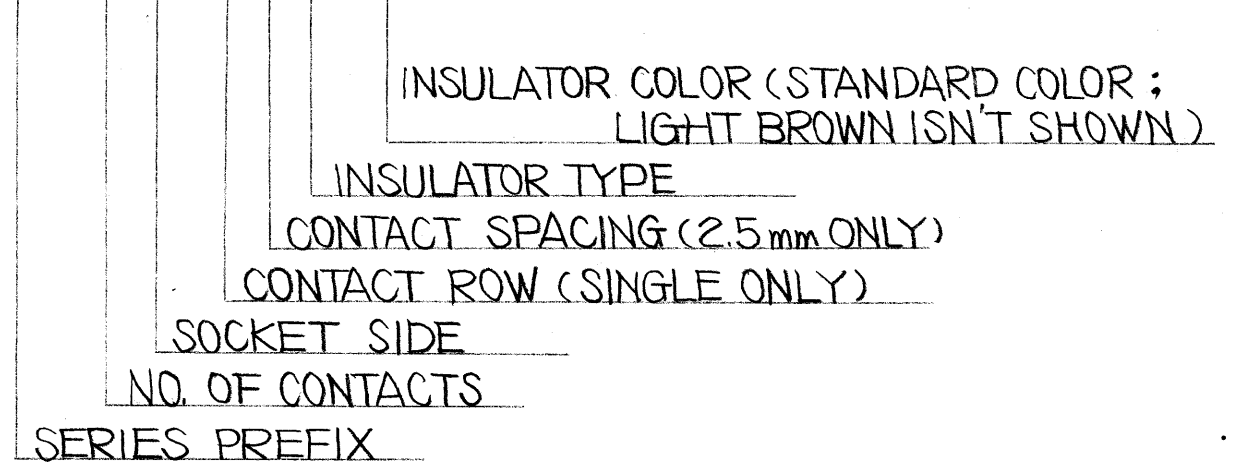
TABLE-1
 CAVITY IDENT MARK
 TRADE MARK

TABLE-1

NO. OF CONTACTS	DIM.	A ±0.5	B ±0.25	C ±0.3	D ±0.3	E	F	CONTACT POSITION NO.
2		5.5	2.5	2.1	1.4	2.4	1	1
3		8	5	3.1	1.9	2.9	1	1
4		10.5	7.5	4.1	2.4	3.4	1	1
5		13	10	5.1	2.9	3.9	1	1.5
6		15.5	12.5	6.1	3.4	4.4	1	1.5.6
7		18	15	6.1	5.9	6.9	1	1.5.6
8		20.5	17.5	6.1	8.4	9.4	1.5	1.5.6.8
9		23	20	6.1	10.9	11.9	1.5	1.5.6.8
10		25.5	22.5	6.1	13.4	14.4	3	1.5.6.8.10

HOW TO ORDER

IL-***S-S3L-*



1	INSULATOR	1	THERMOPLASTIC		
ITEM	DESCRIPTION	Q'TY	MATERIAL	FINISH	PART NO.

UNLESS OTHERWISE SPECIFIED			DATE	DEC. 1977	TITLE
DIMENSIONS ARE IN MILLIMETERS			DRAWN	E. MURANO	RECEPTACLE HOUSING IL-***S-S3L-*
TOLERANCES ON:			CHECKED	K. Takoda	
FRACTIONS	DECIMALS	ANGLES	APP'D	T. SCHEI	
	±0.8	× ±0.5	APP'D	Joe Sauter	
TREATMENT OR FINISH			3rd Angle Drawing		

JAE-CONNECTOR.COM		JAPAN AVIATION ELECTRONICS IND. CO. LTD.	
Reference Only		NAKAGAMI-CHO, AKISHIMA-SHI TOKYO, JAPAN	
DWG. NO.		SJ015095-E	
SCALE		×4	
DWG. SIZE		B WT.	
SHEET		1 OF 1	

NEXT ASS'Y	USED ON	NEXT ASS'Y	FINAL ASS'Y
APPLICATION	QTY REQ'D		