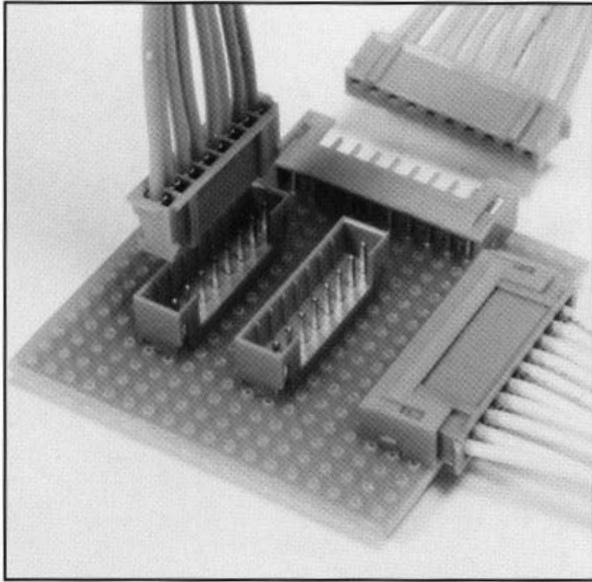


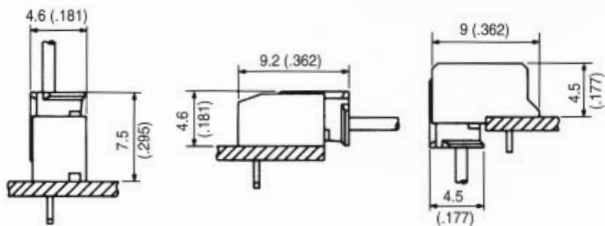
IL-S SERIES CONNECTORS

2.0mm (.079") Contact Spacing, PCB-to-Cable (Crimp Type) Connectors



FEATURES

- Box type pin header prevents mismatching
- Highly reliable socket contacts
- Both semi-automatic crimp termination machine and hand crimping tool are available
- Design prevents flux wicking
- Pin headers are available in straight, right angle and bottom through hole types



IL-S Series connectors are low profile connectors with 2.0mm (.079") contact spacing for PCB-to-Cable applications.

High reliable crimp termination socket contacts permit fast and simple semi-automatic termination, resulting in labor and cost savings.

IL-S Series connectors are ideal for use in VTR, television, audio and other consumer electronic products. Additional applications include OA equipment, computers, measuring equipment, telecommunications, and vending machines.

GENERAL SPECIFICATIONS

Number of Contacts	2 to 15 (Bottom type – 2 to 12)
Contact Spacing	2.0mm (.079"), single row
Current Rating	3 Amps
Operating Voltage	300 VAC, 400 VDC
Dielectric Withstanding Voltage	1,000 VAC r.m.s. (one minute)
Insulation Resistance	100 megohms min.
Contact Resistance	20 milliohms max.
Applicable Wire	#24 to #28 AWG, stranded
Applicable PCB Thickness	1.2 to 1.6mm (.047" to .063")
Operating Temperature	-40°C to +85°C

MATERIALS AND FINISHES

Description	Materials/Finishes
Insulator	6-6 Nylon (UL94V-0, Light Brown)
Pin Contact	Brass/Tin plating over Nickel
Socket Contact	Phosphor Bronze/Tin Plated

Dimensions and specifications subject to change without notice.



Hong Kong
Tel: 2723-7782
Fax: 2723-9028

Japan
03-3780-2715
03-3780-2883

Korea
2-551-8959
2-551-8958

Philippines
46-433-0276
46-433-0287

Singapore
748-1332
748-2920

Taiwan
02-555-9711
02-556-5424

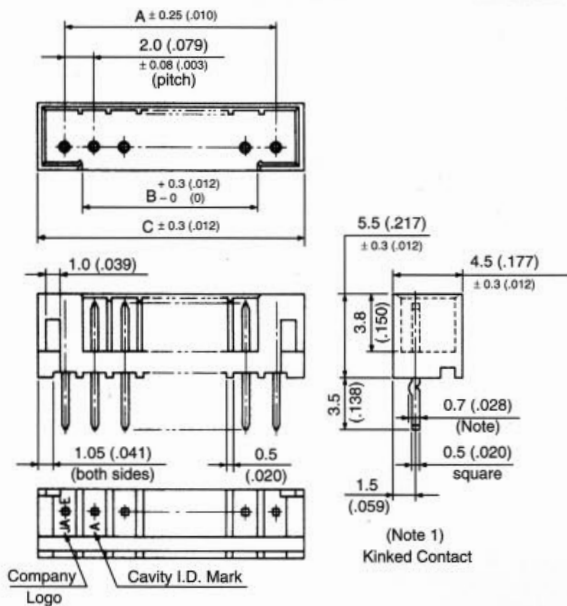
Europe
1276-21717
1276-66165

United States
949-753-2600
949-753-2699

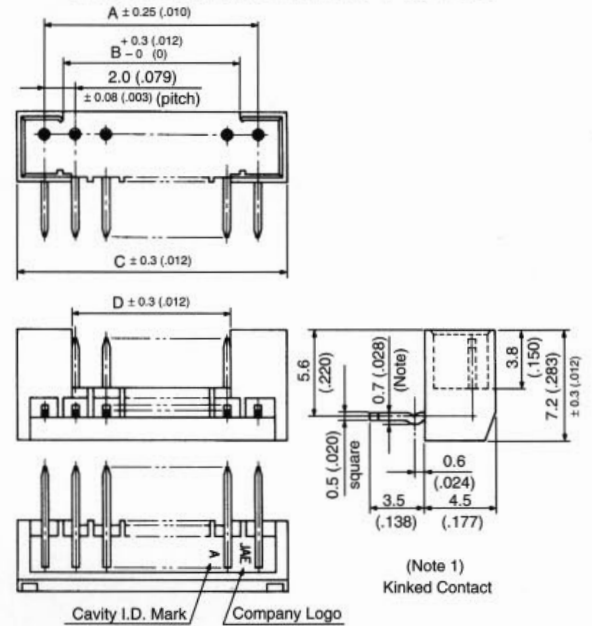
IL-S SERIES CONNECTORS

2.0mm (.079") Contact Spacing, PCB-to-Cable (Crimp Type) Connectors

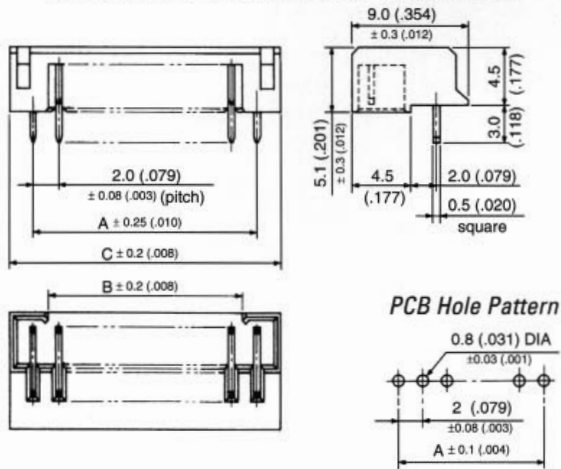
STRAIGHT PIN HEADER: IL-S-*P-S2T2-EF



ANGLE PIN HEADER: IL-S-*P-S2L2-EF



BOTTOM PIN HEADER: IL-S-*P-S2UX2-E



ORDERING INFORMATION

IL-S - 5 P - S 2 T 2 - E F

Series — IL-S
 No. of Contacts — 5
 Contact Type — P — Pin
 Contact Arrangement — S — Single Row
 Contact Pitch — 2.0mm (.079")
 Termination — T — Straight Through Hole
 L — Right Angle Through Hole
 UX — Bottom Through Hole
 Applicable PCB Thickness: 1.2 to 1.6 (.047 to .063)
 Terminal Length: 3.5mm (.138")
 DIP Side Kinked (except bottom type)

No. of Contacts	Part Number			A	B	C	D ± 0.3 (± .012)
	Straight Pin Header	Angle Pin Header	Bottom Pin Header				
2	IL-S- 2P-S2T2-EF	IL-S- 2P-S2L2-EF	IL-S- 2P-S2UX2-E	2 (.079)	0.8 (.031)	5.6 (.220)	0.5 (.012)
3	IL-S- 3P-S2T2-EF	IL-S- 3P-S2L2-EF	IL-S- 3P-S2UX2-E	4 (.157)	1.6 (.063)	7.6 (.230)	0.5 (.012)
4	IL-S- 4P-S2T2-EF	IL-S- 4P-S2L2-EF	IL-S- 4P-S2UX2-E	6 (.236)	3.6 (.142)	9.6 (.378)	2.5 (.098)
5	IL-S- 5P-S2T2-EF	IL-S- 5P-S2L2-EF	IL-S- 5P-S2UX2-E	8 (.315)	5.6 (.220)	11.6 (.457)	4.5 (.177)
6	IL-S- 6P-S2T2-EF	IL-S- 6P-S2L2-EF	IL-S- 6P-S2UX2-E	10 (.394)	7.6 (.299)	13.6 (.535)	6.5 (.256)
7	IL-S- 7P-S2T2-EF	IL-S- 7P-S2L2-EF	IL-S- 7P-S2UX2-E	12 (.472)	9.6 (.378)	15.6 (.614)	8.5 (.335)
8	IL-S- 8P-S2T2-EF	IL-S- 8P-S2L2-EF	IL-S- 8P-S2UX2-E	14 (.551)	11.6 (.457)	17.6 (.693)	10.5 (.413)
9	IL-S- 9P-S2T2-EF	IL-S- 9P-S2L2-EF	IL-S- 9P-S2UX2-E	16 (.630)	13.6 (.535)	19.6 (.772)	12.5 (.492)
10	IL-S-10P-S2T2-EF	IL-S-10P-S2L2-EF	IL-S-10P-S2UX2-E	18 (.709)	15.6 (.614)	21.6 (.850)	14.5 (.571)
11	IL-S-11P-S2T2-EF	IL-S-11P-S2L2-EF	IL-S-11P-S2UX2-E	20 (.787)	17.6 (.693)	23.6 (.929)	16.5 (.650)
12	IL-S-12P-S2T2-EF	IL-S-12P-S2L2-EF	IL-S-12P-S2UX2-E	22 (.866)	19.6 (.772)	25.6 (1.008)	18.5 (.728)
13	IL-S-13P-S2T2-EF	IL-S-13P-S2L2-EF	—	24 (.945)	21.6 (.850)	27.6 (1.087)	20.5 (.807)
14	IL-S-14P-S2T2-EF	IL-S-14P-S2L2-EF	—	26 (1.024)	23.6 (.929)	29.6 (1.165)	22.5 (.886)
15	IL-S-15P-S2T2-EF	IL-S-15P-S2L2-EF	—	28 (1.102)	25.6 (1.008)	31.6 (1.244)	24.5 (.965)

Note 1: Insulator colors – Red, Black, Green, White are available other than standard Light Brown.
 Please consult JAE for details.

Dimensions in mm (inches).

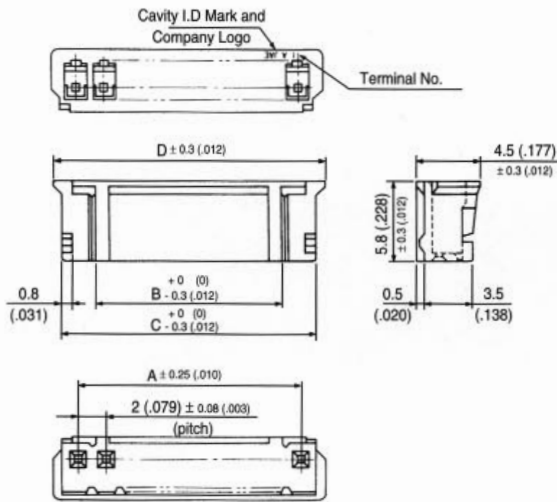
Hong Kong Tel: 2723-7782 Fax: 2723-9028
 Japan 03-3780-2715 03-3780-2883
 Korea 2-551-8959 2-551-8958
 Philippines 46-433-0276 46-433-0287
 Singapore 748-1332 748-2920
 Taiwan 02-555-9711 02-556-5424
 Europe 1276-21717 1276-66165
 United States 949-753-2600 949-753-2699



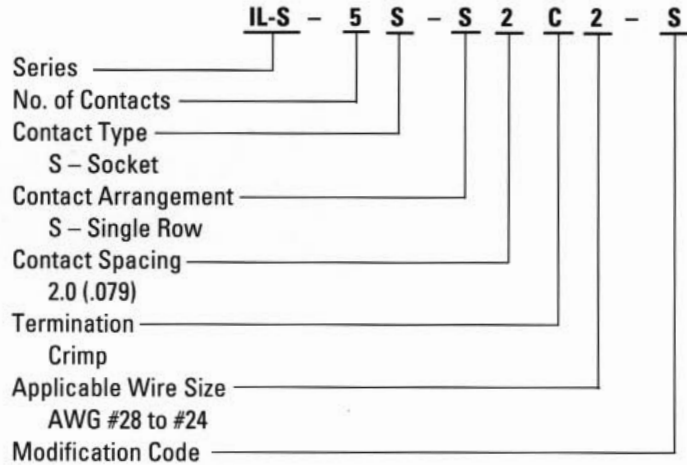
IL-S SERIES CONNECTORS

2.0mm (.079") Contact Spacing, PCB-to-Cable (Crimp Type) Connectors

SOCKET HOUSING: IL-S-*S-S2C2-S



ORDERING INFORMATION

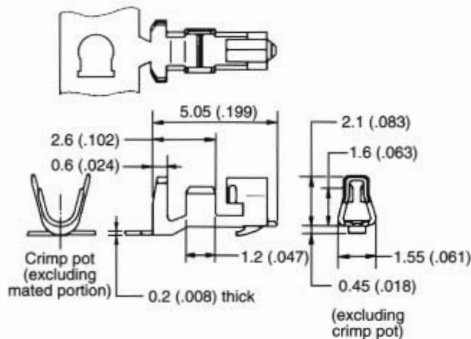


No. of Contacts	Part Number	A ± 0.25 (± .010)	B 0 (0) -0.3 (-.012)	C 0 (0) -0.3 (-.012)	D ± 0.3 (± .012)
2	IL-S- 2S-S2C2-S	2 (.079)	0.7 (.028)	4.5 (.177)	5.6 (.220)
3	IL-S- 3S-S2C2-S	4 (.157)	1.5 (.059)	6.5 (.256)	7.6 (.230)
4	IL-S- 4S-S2C2-S	6 (.236)	3.5 (.138)	8.5 (.335)	9.6 (.378)
5	IL-S- 5S-S2C2-S	8 (.315)	5.5 (.217)	10.5 (.413)	11.6 (.457)
6	IL-S- 6S-S2C2-S	10 (.394)	7.5 (.295)	12.5 (.492)	13.6 (.535)
7	IL-S- 7S-S2C2-S	12 (.472)	9.5 (.374)	14.5 (.570)	15.6 (.614)
8	IL-S- 8S-S2C2-S	14 (.551)	11.5 (.453)	16.5 (.650)	17.6 (.693)
9	IL-S- 9S-S2C2-S	16 (.630)	13.5 (.531)	18.5 (.728)	19.6 (.772)
10	IL-S- 10S-S2C2-S	18 (.709)	15.5 (.610)	20.5 (.807)	21.6 (.850)
11	IL-S- 11S-S2C2-S	20 (.787)	17.5 (.689)	22.5 (.886)	23.6 (.929)
12	IL-S- 12S-S2C2-S	22 (.866)	19.5 (.768)	24.5 (.965)	25.6 (1.008)
13	IL-S- 13S-S2C2-S	24 (.945)	21.5 (.846)	26.5 (1.043)	27.6 (1.087)
14	IL-S- 14S-S2C2-S	26 (1.024)	23.5 (.925)	28.5 (1.122)	29.6 (1.165)
15	IL-S- 15S-S2C2-S	28 (1.102)	25.5 (1.004)	30.5 (1.201)	31.6 (1.244)

SOCKET CONTACT (CRIMP TYPE)

Part Number: IL-S-C2-S-10000

10000 contacts/reel



Applicable Wire (Stranded)		Hand Crimping Tool
AWG No.	Wire Insulation Outer Dia.	
#28 to #26	ø1.0 to ø1.3mm (.039 to .051")	CT150-2-ILS CT150-4-ILS
#26 to #24	ø1.2 to ø1.6mm (.047 to .063")	
#28 to #26	ø0.7 to ø1.0mm (.028 to .039")	CT150-2-ILSmk2
#26 to #24	ø0.9 to ø1.2mm (.035 to .047")	

Semi-Automatic Crimping Machine: CT350-2-ILS

Contact Extraction Tool: ET-ILS-N03

Dimensions in mm (inches).



Hong Kong
Tel: 2723-7782
Fax: 2723-9028

Japan
03-3780-2715
03-3780-2883

Korea
2-551-8959
2-551-8958

Philippines
46-433-0276
46-433-0287

Singapore
748-1332
748-2920

Taiwan
02-555-9711
02-556-5424

Europe
1276-21717
1276-66165

United States
949-753-2600
949-753-2699