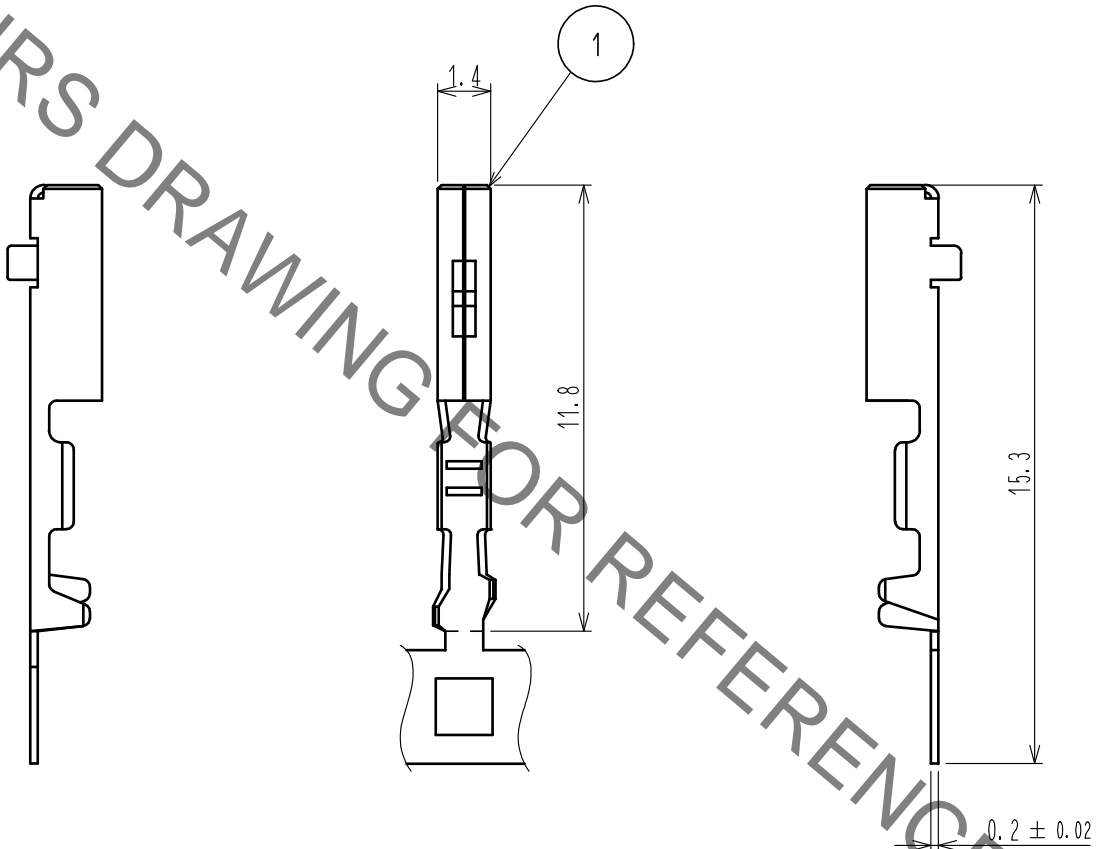


May.1.2019 Copyright 2019 HIROSE ELECTRIC CO., LTD. All Rights Reserved.
 In case of consideration for using Automotive equipment / device which demand high reliability, kindly contact our sales window correspondents.

ELV, RoHS COMPLIANT



1	COPPER ALLOY	TIN PLATED					
NO.	MATERIAL	FINISH .	REMARKS				
UNITS mm		SCALE 5 : 1	COUNT 	DESCRIPTION OF REVISIONS	DESIGNED	CHECKED	DATE
HIROSE ELECTRIC CO., LTD.	APPROVED	AR. SHIRAI	17.06.06	DRAWING NO.	EDC-166479-00-00		
	CHECKED	AR. SHIRAI	17.06.06	PART NO.	GT25-2630SCF		
	DESIGNED	HS. OZAWA	17.06.06	CODE NO.	CL775-0012-0-00		
	DRAWN	YP. SHEN	17.06.02		1/1		