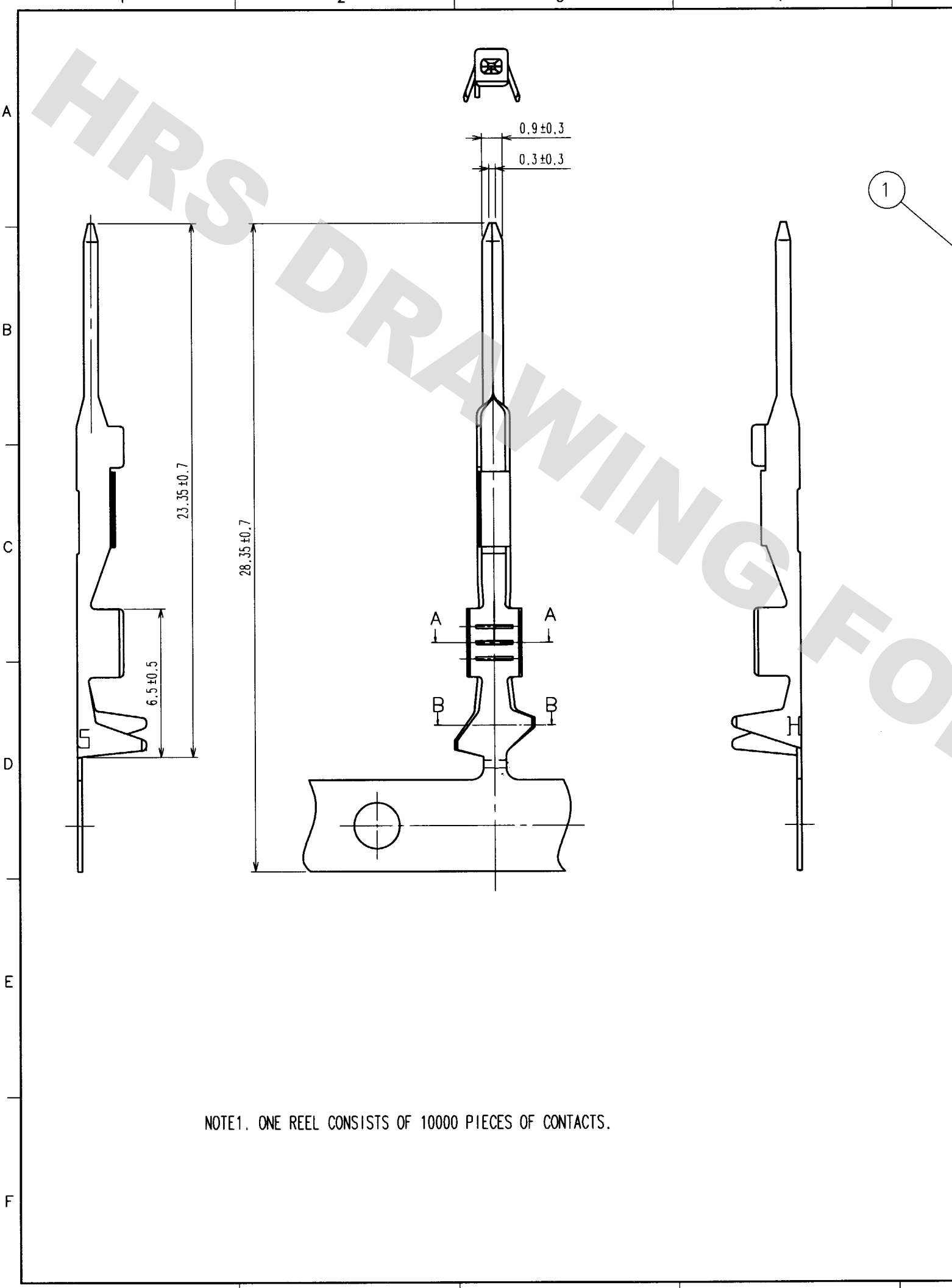


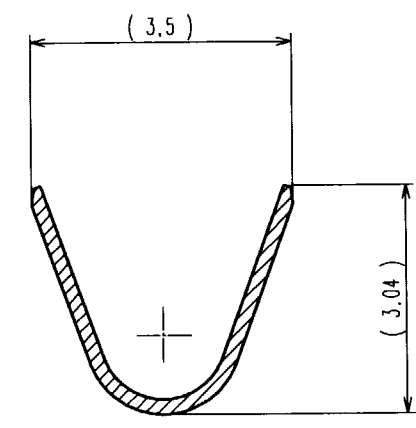
DRAWING FOR REFERENCE: This is subject to change without notice
08/11/2012

TO

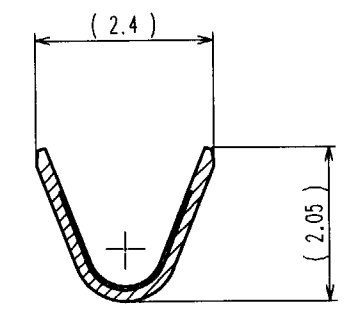
COUNT	DESCRIPTION OF REVISIONS	BY	CHKD	DATE	COUNT	DESCRIPTION OF REVISIONS	BY	CHKD	DATE



1



B-B (10:1)



A-A (10:1)

NOTE1. ONE REEL CONSISTS OF 10000 PIECES OF CONTACTS.

NO.	MATERIAL	FINISH, REMARKS	NO.	MATERIAL	FINISH, REMARKS
			1	BRASS	TIN PLATED

CODE NO. (OLD)	DRAWN	DESIGNED	CHECKED	APPROVED	RELEASED
	K. NEI	K. NEI	M. Ueda	K. Hata	
	'01.10.25	'01.10.25	'01.10.26	'01.10.26	

SCALE	DRAWING NO.	PART NO.
5 : 1	EDC3-165832	GT10A-2022PCF
UNITS		
mm	HRS HIROSE ELECTRIC CO., LTD	CODE NO. CL760-0015-9

1/1