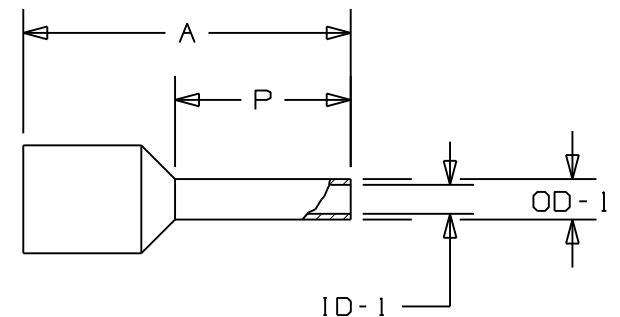
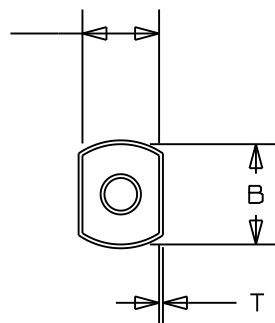


PART NO	WIRE RANGE AWG (mm ²)	COLOR	STRIP LENGTH :0/32 :0,79)	A	P	ID-1	OD-1	B	MAX WIRE INSUL DIA	T	INSTALLATION TOOLS	
FTD75-8	2 X 20 (2 X 0,50)	WHITE	7/16 (11,2)	0.59 (15,0)	0.31 (8,0)	0.06 (1,5)	0.07 (1,8)	0.18 (4,6)	0.87 (2,2)	0.01 (0,25)	CT-1002 CT-1003 CT-1123	
FTD76-8	2 X 18 (2 X 0,75)	GREY	7/16 (11,2)	0.59 (15,0)	0.31 (8,0)	0.07 (1,8)	0.08 (2,1)	0.20 (5,1)	0.094 (2,4)	0.01 (0,25)		
FTD76-10	2 X 18 (2 X 0,75)	GREY	9/16 (14,0)	0.67 (17,0)	0.39 (10,0)	0.07 (1,8)	0.08 (2,1)	0.20 (5,1)	0.094 (2,4)	0.01 (0,25)		
FTD77-8	2 X 18 (2 X 1)	RED	7/16 (11,2)	0.59 (15,0)	0.31 (8,0)	0.08 (2,1)	0.09 (2,4)	0.20 (5,1)	0.106 (2,7)	0.01 (0,30)		
FTD77-10	2 X 18 (2 X 1)	RED	9/16 (14,0)	0.67 (17,0)	0.39 (10,0)	0.08 (2,1)	0.09 (2,4)	0.20 (5,1)	0.106 (2,7)	0.01 (0,30)		
FTD78-8	2 X 16 (2 X 1,50)	BLACK	7/16 (11,2)	0.63 (16,0)	0.31 (8,0)	0.09 (2,3)	0.10 (2,6)	0.25 (6,4)	0.118 (3,0)	0.01 (0,30)		
FTD78-12	2 X 16 (2 X 1,50)	BLACK	21/32 (16,8)	0.79 (20,0)	0.47 (12,0)	0.09 (2,3)	0.10 (2,6)	0.25 (6,4)	0.118 (3,0)	0.01 (0,30)		
FTD80-10	2 X 14 (2 X 2,50)	BLUE	9/16 (14,0)	0.73 (18,5)	0.39 (10,0)	0.11 (2,9)	0.13 (3,3)	0.30 (7,5)	0.146 (3,7)	0.01 (0,30)		
FTD80-13	2 X 14 (2 X 2,50)	BLUE	23/32 (18,2)	0.85 (21,5)	0.51 (13,0)	0.11 (2,9)	0.13 (3,3)	0.30 (7,5)	0.146 (3,7)	0.01 (0,30)		
FTD81-12	2 X 12 (2 X 4)	GREY	21/32 (16,8)	0.91 (23,0)	0.47 (12,0)	0.15 (3,8)	0.17 (4,2)	0.34 (8,6)	0.169 (4,3)	0.01 (0,30)		
FTD82-14	2 X 10 (2 X 6)	YELLOW	25/32 (19,6)	0.98 (25,0)	0.55 (14,0)	0.18 (4,6)	0.20 (5,0)	0.38 (9,6)	0.190 (4,8)	0.01 (0,30)		CT-1003 CT-1004 CT-1104
FTD83-14	2 X 8 (2 X 10)	RED	25/32 (19,6)	1.02 (26,0)	0.55 (14,0)	0.26 (6,5)	0.27 (6,9)	0.50 (12,6)	0.277 (7,0)	0.01 (0,30)		CT-1005
FTD84-16	2 X 6 (2 X 16)	BLUE	3/4 (19,1)	1.22 (31,0)	0.63 (16,0)	0.33 (8,5)	0.35 (8,9)	0.65 (16,6)	0.347 (8,8)	0.01 (0,30)		

NOTES:

- MATERIAL;
A. STAMPING - COPPER, TIN PLATED
B. HOUSING - POLYPROPYLENE, COLOR CODED
- DIMENSIONS IN BRACKETS ARE IN mm OR mm²
- FOR TOLERANCING REFER TO DIN 46228 PART 4
- SEE www.panduit.com
FOR PART NUMBER SUFFIX DESIGNATION
FOR PACKAGE SIZE

MAX WIRE
INSUL DIA



PANDUIT

CORP.

TINLEY PARK, ILLINOIS

FERRULE DUAL WIRE
(DIN)

09	7/11	SRB	ADDED note #4
REV	DATE	BY	DESCRIPTION

DRAWN BY	CHK'D	SCALE	DRAWING NO.
JKD	SKB	NONE	A41669