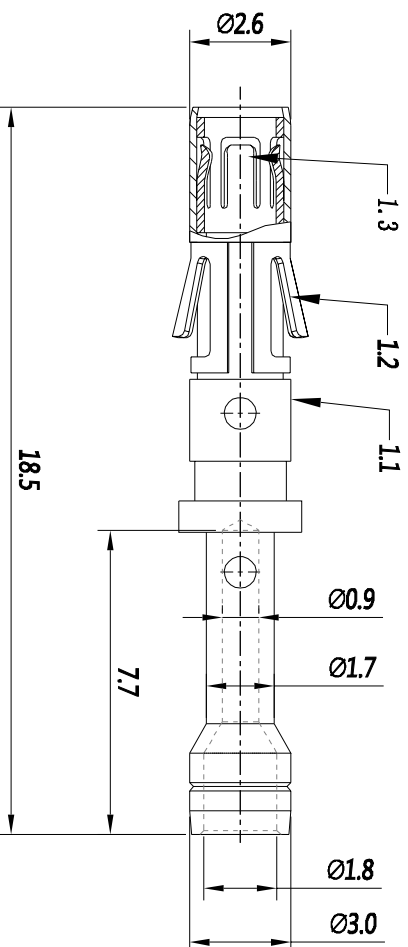


REVISIONS				
REV	ECO	DESCRIPTION	DATE	BY APPR
B1	-	RELEASED DRAWING	JUN-19-2014	BEN TOMMY



- NOTES : (UNLESS OTHERWISE SPECIFIED)
- MATERIAL :
 - CONTACT BODY : COPPER ALLOY.
 - POSITIONING CLIP : COPPER ALLOY.
 - CROWN SPRING CONTACT : COPPER ALLOY.
 - SPECIFICATIONS :
 - CURRENT RATING : 13A(MAX).
 - TERMINATION TYPE : CRIMPING.
 - WIRE RANGE : 24~26AWG.
 - SUITABLE SOCKET TYPE : MP24M23xx.
 - ROHS COMPLIANT.
 - ALL DIMENSIONS ARE FOR REFERENCE USE ONLY.

P/N	DESCRIPTION	QTY
MS24M23F	CONTACT PLATING(MATING AREA) GOLD FLASH PLATING OVER NICKEL.	
MS24M23G10	10µ" GOLD PLATING OVER NICKEL.	
MS24M23G15	15µ" GOLD PLATING OVER NICKEL.	
MS24M23G30	30µ" GOLD PLATING OVER NICKEL.	

QUANTITY	PART NUMBER	DESCRIPTION	ITEM
MATERIALS LIST			

UNLESS OTHERWISE SPECIFIED		SIGNATURES		DATE	
1) All dimensions are in millimeters.	2) Tolerances are as follows:	DRWEN: BEN	JUN 19 2014		
1 Pl. DEC 20 08	1 Pl. DEC 20 08	DESIGNER:			
2 Pl. DEC 20 08	2 Pl. DEC 20 08	ENGINEER:			
3) Note reference =	3) Note reference =	APPROVAL:			
MATERIAL SPECIFICATIONS:		CUSTOMER:		ECO-MATE SOCKET CONTACT, MACHINE: 24-26AWG, SIZE 18	

PROCESS SPECIFICATIONS:		THIS DRAWING IS SUPPLIED FOR		SIZE	TYPE	DWG NO.	REVISION
NEXT ASST.		SPECIFICATIONS AND PERFORMANCE DATA		B	C-	MS24M23xx	B1
		THE DRAWING IS FOR THE INFORMATION OF THE CUSTOMER AND IS NOT TO BE USED FOR REPRODUCTION IN ANY MANNER. ALL RIGHTS ARE RESERVED.		SCALE	NONE	SHEET	1 OF 1

Amphenol
 Shine Systems - www.amphenol-shine.com
 44724 Monkey Drive
 Clinton Township, MI 48038

ECO-MATE SOCKET CONTACT,
 MACHINE: 24-26AWG, SIZE 18