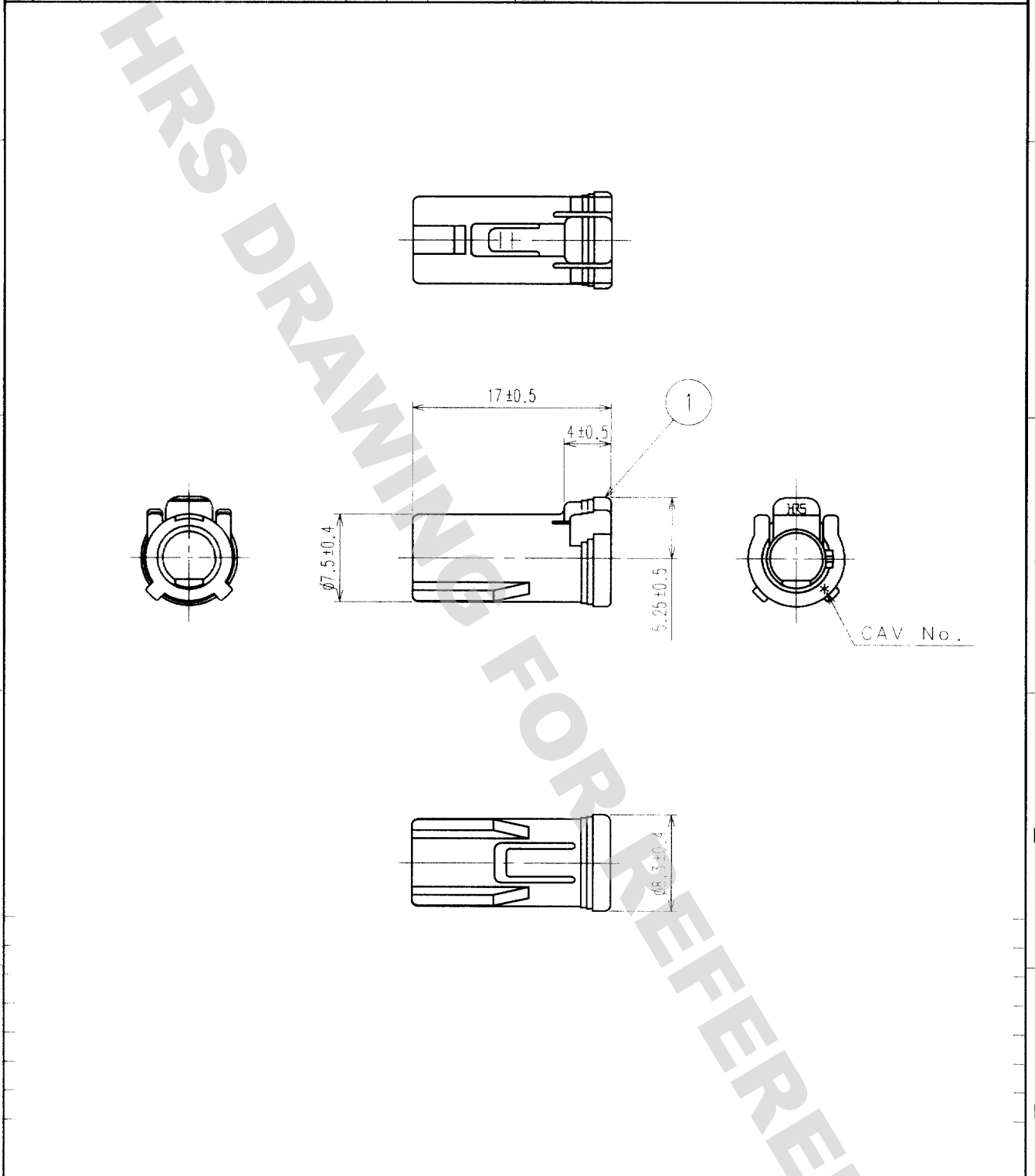


DRAWING FOR REFERENCE: This is subject to change without notice  
08/11/2012

TO

1		2			3			4		
COUNT	DESCRIPTION OF REVISIONS	BY	CHKD	DATE	COUNT	DESCRIPTION OF REVISIONS	BY	CHKD	DATE	



1	PBT	LIHGT GRAY					
NO.	MATERIAL	FINISH, REMARKS	NO.	MATERIAL	FINISH, REMARKS		
CODE NO. (OLD)			DRAWN	DESIGNED	CHECKED	APPROVED	RELEASED
			T.SHISHIKURA	T.SHISHIKURA	<i>M. Hara</i>	<i>K. Aoto</i>	
			'03 .5 .26	'03 .5 .26	03.5.26	03.5.28	
DRAWING NO. EDC4-165707			PART NO. GT16-1S-HU				
SACLE 2 : 1			CODE NO. CL766-0004-0				1/1
UNITS mm			HRS HIROSE ELECTRIC CO., LTD.				