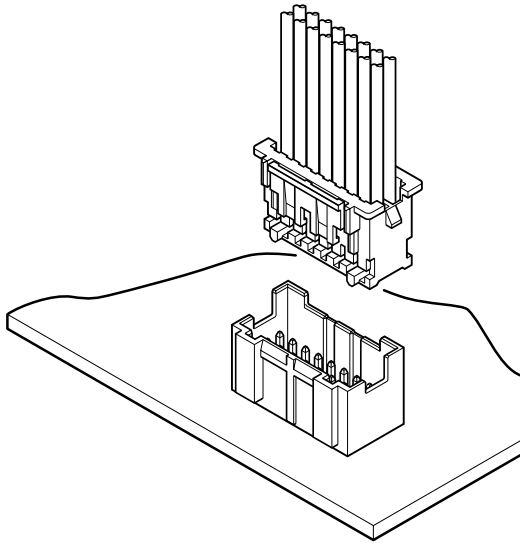


# PAD CONNECTOR

2.0mm pitch/Disconnectable Crimp style connectors



**Dual-row construction allows high density mounting.**

- Secure locking device
- Reliable contacts
- Insertion guide mechanism
- Polarizing boss

## Specifications

- Current rating: 3 A AC, DC (AWG #22)
- Voltage rating: 250 V AC, DC
- Temperature range: -25°C to +85°C  
(including temperature rise in applying electrical current)
- Contact resistance: Initial value/ 10 mΩ max.  
After environmental tests/ 20 mΩ max.
- Insulation resistance: 1,000 MΩ min.
- Withstanding voltage: 800 VAC/minute
- Applicable wire: AWG #28 to #22
- Applicable PC board thickness: 1.6 mm

\* In using the products, refer to "Handling Precaution for Terminal and Connector" described on our website (Technical documents of Product information page).

\* Contact JST for details.

\* RoHS2 compliance.

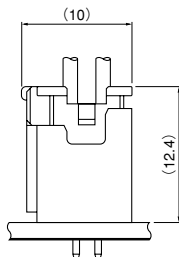
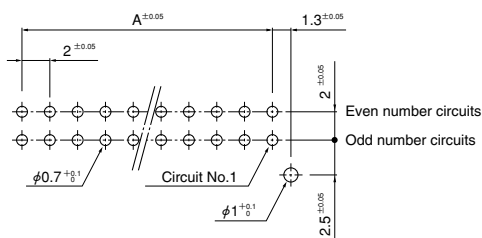
## Standards

Ⓜ Recognized E60389

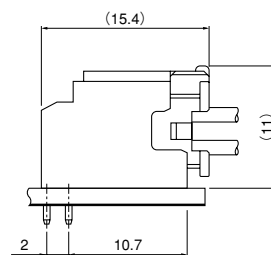
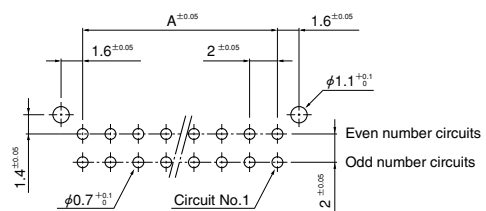
△ R50053749

## PC board layout and Assembly layout

### Top entry type



### Side entry type



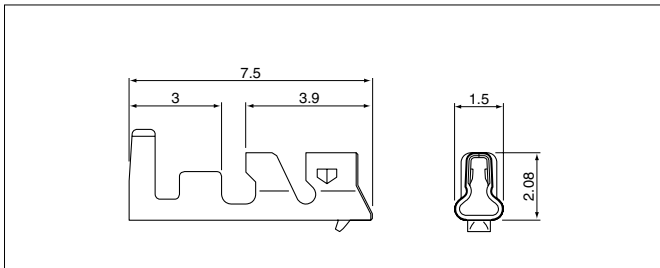
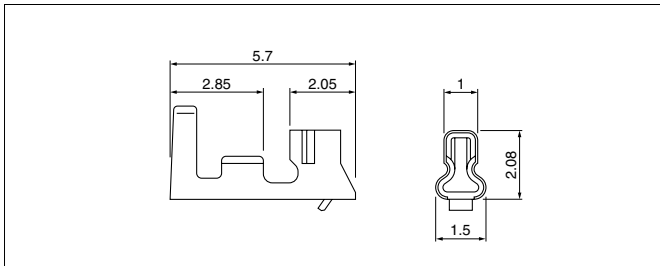
Note: 1. The above figure is the figure viewed from the connector mounting side.

2. Tolerances are non-cumulative:  $\pm 0.05$  mm for all centers.

3. Hole dimensions differ according to the type of PC board and piercing method. If PC boards made of hard material are used, the hole dimensions should be larger. The dimensions above should serve as a guideline. Contact JST for details.

# PAD CONNECTOR

## Contact



| Contact        | Crimping machine | Applicator       |                |                            |
|----------------|------------------|------------------|----------------|----------------------------|
|                |                  | Crimp applicator | Dies           | Crimp applicator with dies |
| SPH-001T-P0.5L | AP-K2N           | MKS-L            | MK/SPH-001-05L | APLMK SPH001-05L           |
|                |                  | —                | —              | —                          |
| SPH-002T-P0.5L | AP-K2N           | MKS-L            | MK/SPH-002-05L | APLMK SPH002-05L           |
|                |                  | *MKS-SC          | SC/SPH-002-05L | APLSC SPH002-05L           |

Note: \*Strip-crimp applicator

| Model No.      | Applicable wire |       | Insulation O.D. (mm) | Q'ty/reel |
|----------------|-----------------|-------|----------------------|-----------|
|                | mm <sup>2</sup> | AWG#  |                      |           |
| SPH-001T-P0.5L | 0.13~0.33       | 26~22 | 1.0~1.5              | 8,000     |
| SPH-002T-P0.5L | 0.08~0.22       | 28~24 | 0.8~1.5              |           |

### Material and Finish

Phosphor bronze, tin-plated (reflow treatment)

### RoHS2 compliance

| Model No.      | Applicable wire |       | Insulation O.D. (mm) | Q'ty/reel |
|----------------|-----------------|-------|----------------------|-----------|
|                | mm <sup>2</sup> | AWG#  |                      |           |
| SPND-001T-C0.5 | 0.13~0.33       | 26~22 | 1.0~1.5              | 8,000     |
| SPND-002T-C0.5 | 0.08~0.22       | 28~24 | 0.8~1.5              |           |

### Material and Finish

Copper alloy, tin-plated (reflow treatment)

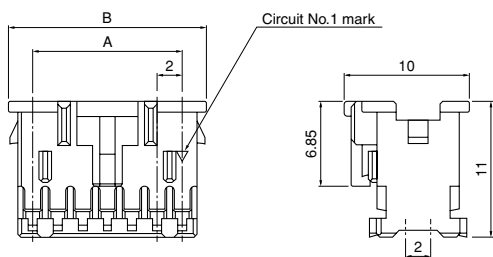
### RoHS2 compliance

Note: SPND-( )T-C0.5 is low insertion/withdrawal force type contact, in order to improve the work of insertion/withdrawal.

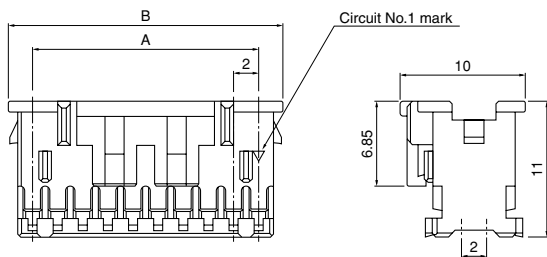
| Contact        | Crimping machine | Applicator       |                   |                            |
|----------------|------------------|------------------|-------------------|----------------------------|
|                |                  | Crimp applicator | Dies              | Crimp applicator with dies |
| SPND-001T-C0.5 | AP-K2N           | MKS-L            | MK/SPND-001-05    | APLMK SPND001-05           |
|                |                  | —                | —                 | —                          |
| SPND-002T-C0.5 | AP-K2N           | MKS-L            | MK/SPAD/ND-002-05 | APLMK SPAD/ND002-05        |
|                |                  | —                | —                 | —                          |

## Housing

### <14 circuits or less>



### <16 circuits or more>



| Circuits | Model No.    | Dimensions (mm) |      | Q'ty/bag |
|----------|--------------|-----------------|------|----------|
|          |              | A               | B    |          |
| 10       | PADP-10V-1-S | 8.0             | 12.0 | 1,000    |
| 12       | PADP-12V-1-S | 10.0            | 14.0 | 1,000    |
| 14       | PADP-14V-1-S | 12.0            | 16.0 | 1,000    |
| 16       | PADP-16V-1-S | 14.0            | 18.0 | 1,000    |
| 20       | PADP-20V-1-S | 18.0            | 22.0 | 1,000    |
| 22       | PADP-22V-1-S | 20.0            | 24.0 | 1,000    |
| 24       | PADP-24V-1-S | 22.0            | 26.0 | 1,000    |
| *40      | PADP-40V-1-S | 38.0            | 42.0 | 500      |

### Material and Finish

PA 66, UL94V-0, natural (white)

### RoHS2 compliance

Note: \*Marked product is not TÜV approved.

<For reference> As the color identification, the following alphabet shall be put in the underlined part. For availability, delivery and minimum order quantity, contact JST.

ex. **PADP-16V-1-S**

S...natural (white)

K...black R...red Y...yellow E...blue M...green P...purple

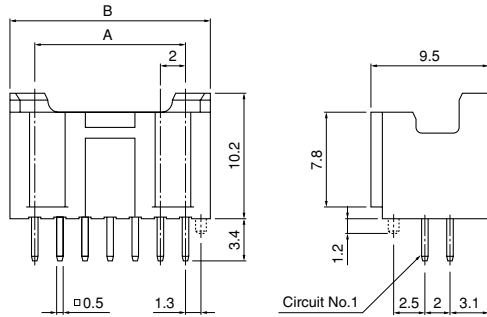
L...lemon yellow

# PAD CONNECTOR

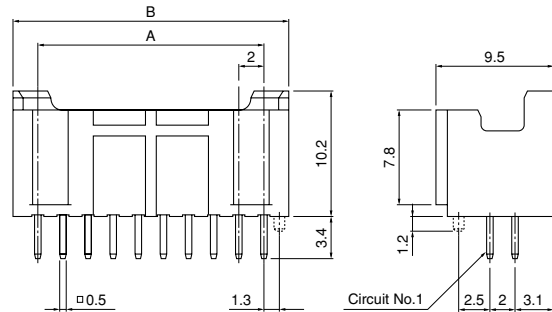
## Shrouded header

### Top entry type

<14 circuits or less>

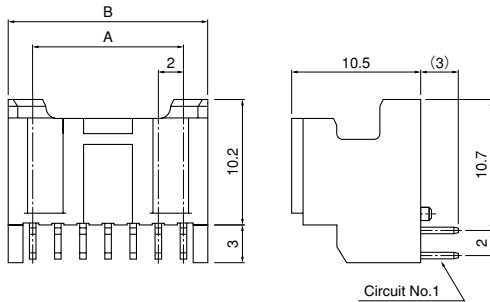


<16 circuits or more>

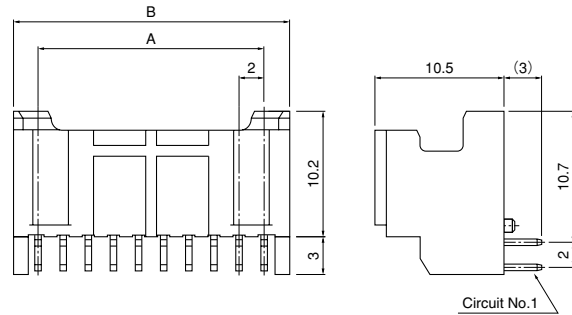


### Side entry type

<14 circuits or less>



<16 circuits or more>



| Circuits | Model No.      |                |                 | Dimensions (mm) |      | Q'ty/box       |                 |
|----------|----------------|----------------|-----------------|-----------------|------|----------------|-----------------|
|          | Top entry type |                | Side entry type | A               | B    | Top entry type | Side entry type |
|          | With a boss    | Without a boss |                 |                 |      |                |                 |
| 10       | B10B-PADSS-1F  | B10B-PADSS-F   | S10B-PADSS-1    | 8.0             | 12.0 | 400            | 504             |
| 12       | B12B-PADSS-1F  | B12B-PADSS-F   | S12B-PADSS-1    | 10.0            | 14.0 | 300            | 420             |
| 14       | B14B-PADSS-1F  | B14B-PADSS-F   | S14B-PADSS-1    | 12.0            | 16.0 | 300            | 364             |
| 16       | B16B-PADSS-1F  | B16B-PADSS-F   | S16B-PADSS-1    | 14.0            | 18.0 | 200            | 336             |
| 20       | B20B-PADSS-1F  | B20B-PADSS-F   | S20B-PADSS-1    | 18.0            | 22.0 | 150            | 280             |
| 22       | B22B-PADSS-1F  | B22B-PADSS-F   | —               | 20.0            | 24.0 | 150            | —               |
| 24       | B24B-PADSS-1F  | B24B-PADSS-F   | S24B-PADSS-1    | 22.0            | 26.0 | 150            | 224             |
| *40      | B40B-PADSS-1F  | —              | —               | 38.0            | 42.0 | 100            | —               |

#### Material and Finish

Post: Copper alloy, copper-undercoated, tin-plated (reflow treatment)

Wafer: Glass-filled PBT, UL94V-0, (natural) [side entry type]

Glass-filled PA 66, UL94V-0, (natural) [top entry type]

**RoHS2 compliance** This product displays (LF)(SN) on a label.

Note: \*Marked product is not TÜV approved.

<For reference> As the color identification,

the following alphabet shall be put in the underlined part.

For availability, delivery and minimum order quantity, contact JST.

ex. **B16B-PADSS(-1F)**

S...natural (white)

K...black R...red Y...yellow E...blue M...green P...purple

L...lemon yellow