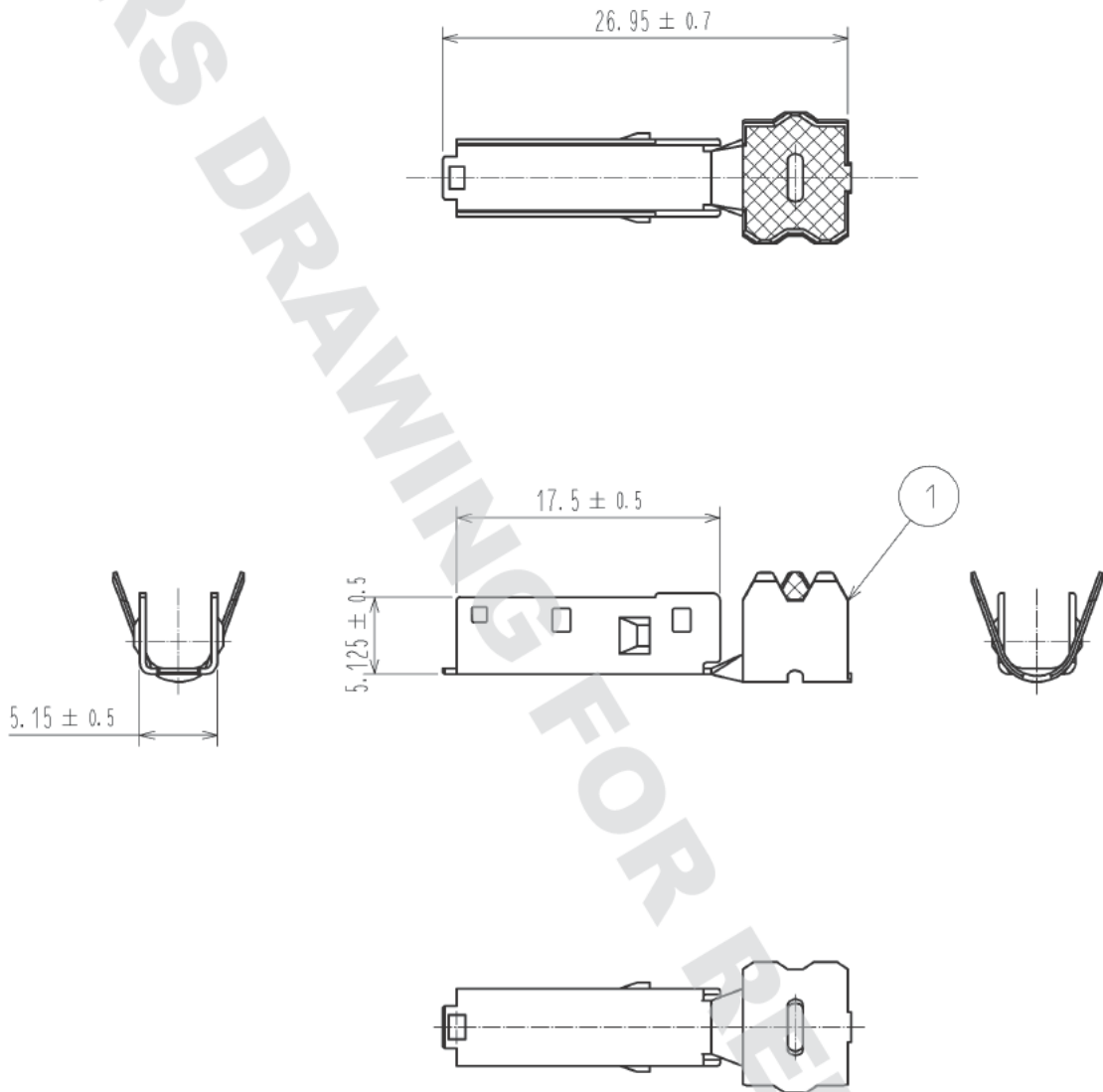


ELV. RoHS COMPLIANT



Applicable Cable : $\phi 4.8 \sim 5.0$ mm

DRAWING FOR REFERENCE: This is subject to change without notice
05/31/2014

1	COPPER ALLOY	TIN PLATED						
NO.	MATERIAL	FINISH	REMARKS	NO.	MATERIAL	FINISH	REMARKS	
UNITS mm		SCALE 2 : 1	COUNT 	DESCRIPTION OF REVISIONS		DESIGNED	CHECKED	DATE
HIROSE ELECTRIC CO., LTD.		APPROVED : NH. NAKATA	14. 03. 08	DRAWING NO.		EDC4-353799-00		
		CHECKED : TS. KUBOTA	14. 03. 07	PART NO.		GT32-4DS-5CF		
		DESIGNED : NK. IKUTA	14. 03. 07	CODE NO.		CL782-0040-3-00		
		DRAWN : NK. IKUTA	14. 03. 07					1/1