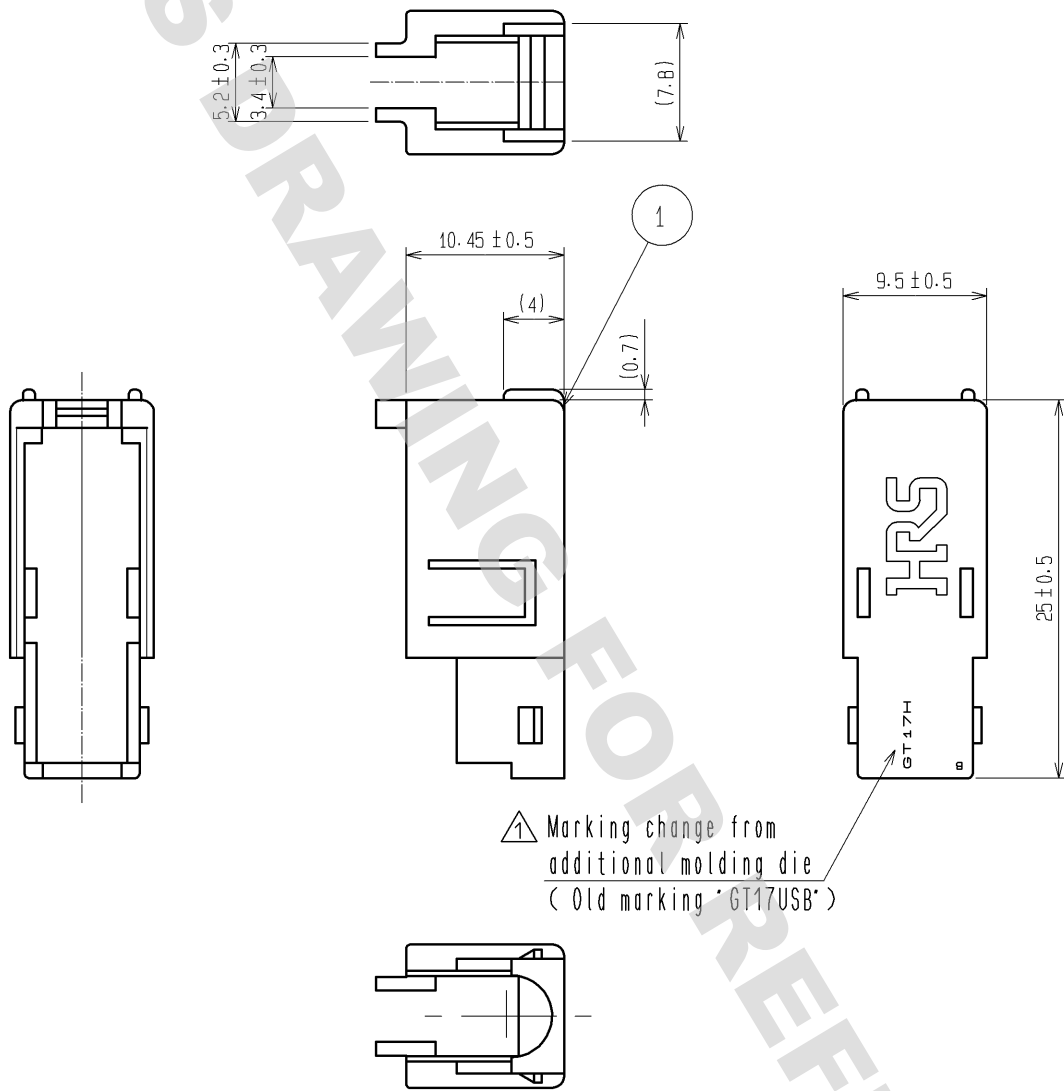


DRAWING FOR REFERENCE: This is subject to change without notice
08/11/2012

ELV. RoHS compliant



△ Marking change from additional molding die
(Old marking 'GT17USB')

1	PBT	DARK GRAY						
NO.	MATERIAL	FINISH . REMARKS		NO.	MATERIAL	FINISH . REMARKS		
UNITS mm		SCALE 2 : 1	COUNT 1	DESCRIPTION OF REVISIONS DIS-T-001563		DESIGNED NA. HARUBAYASHI	CHECKED AR. SHIRAI	DATE 10. 02. 03
HIROSE ELECTRIC CO., LTD.		APPROVED : KS. SATOH	05. 01. 05	DRAWING NO.		EDC4-166356-00		
		CHECKED : NH. NAKATA	05. 01. 05	PART NO.		GT17H-4S-HU		
		DESIGNED : NA. HARUBAYASHI	05. 01. 05	CODE NO.		CL767-0085-9-00		
		DRAWN : TK. SHISHIKURA	05. 01. 05			1/1		