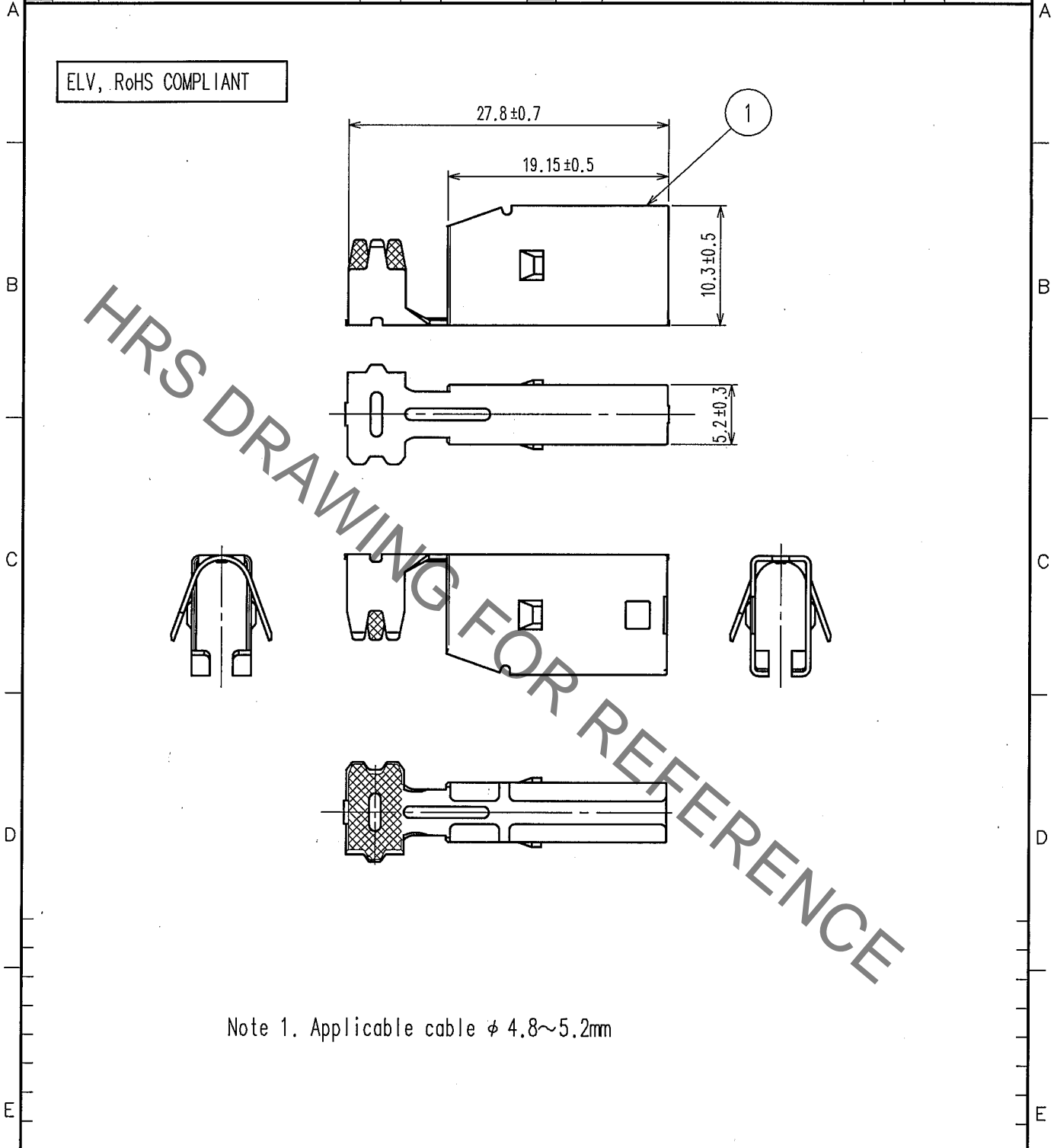


Jun.1.2019 Copyright 2019 HIROSE ELECTRIC CO., LTD. All Rights Reserved.
 In case of consideration for using Automotive equipment / device which demand high reliability, kindly contact our sales window correspondents.

1		2			3			4		
COUNT	DESCRIPTION OF REVISIONS	BY	CHKD	DATE	COUNT	DESCRIPTION OF REVISIONS	BY	CHKD	DATE	
△				..	△				..	
△					△				..	
△					△				..	



2			4		
1	COPPER ALLOY	TIN PLATING	3		
NO.	MATERIAL	FINISH, REMARKS	NO.	MATERIAL	FINISH, REMARKS

CODE NO. (OLD) CL?	DRAWN <i>N. Haru- bayashi</i> 06.06.06	DESIGNED <i>N. Haru- bayashi</i> 06.06.06	CHECKED <i>K. Sato</i> 06.06.06	APPROVED <i>K. Sato</i> 06.06.06	RELEASED
-----------------------	--	---	---------------------------------------	--	----------

 SCALE 2 : 1 UNITS mm	DRAWING NO. EDC4-166640 	PART NO. GT17HS-4S-5CF CODE NO. CL767-0135-5	1 1
-----------------------------------	--------------------------------	---	--------

TO
 AMC

AMC