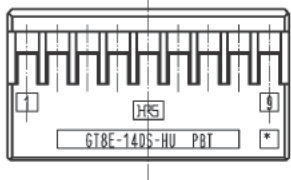
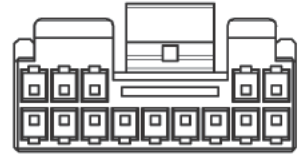
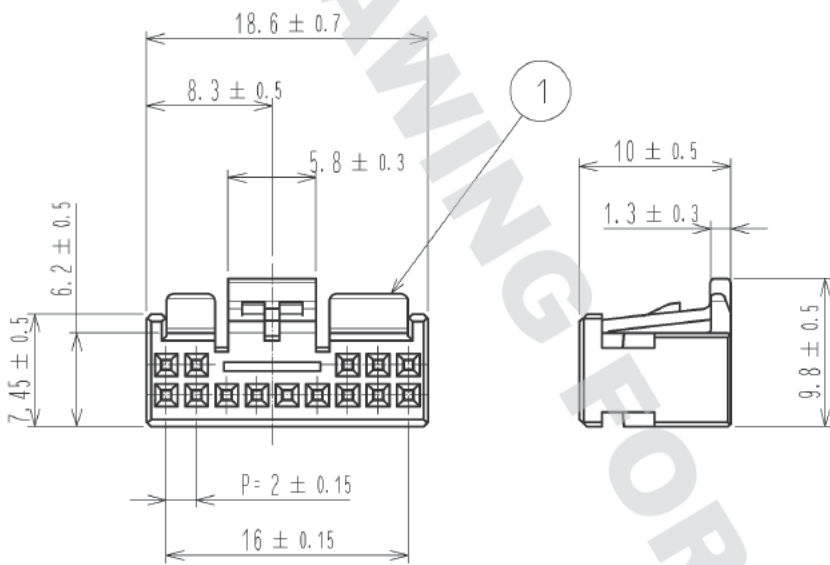
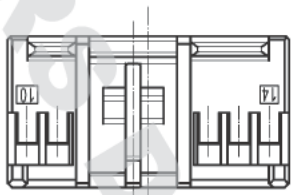


DRAWING FOR REFERENCE: This is subject to change without notice
05/31/2014

ELV, RoHS適合品



NOTE 1. CONTACT : GT8B-2428SCF (CL758-0055-7)
GT8E-2022SCF (CL758-0033-4)

1	PBT	BLACK						
NO.	MATERIAL	FINISH	REMARKS	NO.	MATERIAL	FINISH	REMARKS	
UNITS mm		SCALE 2 : 1	COUNT 	DESCRIPTION OF REVISIONS		DESIGNED	CHECKED	DATE
HIROSE ELECTRIC CO., LTD.		APPROVED : HS. OZAWA	14. 03. 11	DRAWING NO.		EDC4-168841-01		
		CHECKED : HS. OZAWA	14. 03. 11	PART NO.		GT8E-14DS-HU		
		DESIGNED : NA. HARUBAYASHI	14. 03. 11	CODE NO.		CL758-0226-8-00		
		DRAWN : NA. HARUBAYASHI	14. 03. 11					1/1