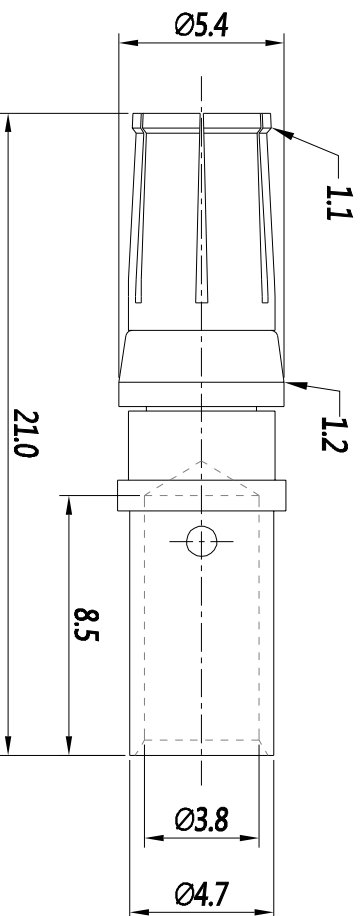


REVISIONS					
REV	ECO	DESCRIPTION	DATE	BY	APPR
B1	-	RELEASED DRAWING	JUN-17-2014	BEN	TOMMY



P/N	CONTACT PLATING(MATING AREA)
MS10A23T	TIN PLATING OVER NICKEL
MS10A23S	SILVER PLATING OVER NICKEL
MS10A23F	GOLD FLASH PLATING OVER NICKEL
MS10A23G10	10µ" GOLD PLATING OVER NICKEL
MS10A23G15	15µ" GOLD PLATING OVER NICKEL
MS10A23G30	30µ" GOLD PLATING OVER NICKEL

- NOTES : (UNLESS OTHERWISE SPECIFIED)
- MATERIAL :
 - CONTACT BODY : COPPER ALLOY.
 - POSITIONING CLIP : COPPER ALLOY.
 - SPECIFICATIONS :
 - CURRENT RATING : 45A(MAX).
 - TERMINATION TYPE : CRIMPING.
 - WIRE RANGE : 10~12AWG.
 - SUITABLE SOCKET TYPE : MP10A23xx .
 - ROHS COMPLIANT.
 - ALL DIMENSIONS ARE FOR REFERENCE USE ONLY.

QUANTITY	PART NUMBER	DESCRIPTION	ITEM
MATERIALS LIST			
UNLESS OTHERWISE SPECIFIED			
1) ALL DIMENSIONS ARE IN MILLIMETERS UNLESS OTHERWISE SPECIFIED.			
2) TOLERANCES ARE AS SHOWN.			
3) Note reference = A			
SIGNATURES		DATE	
DRAWN: BBI	CHKD: JMH/2/11		
ENGR: P. DEB 24-03-09	FR: P. DEB 24-03-09		
APP: P. DEB 24-03-09	APP: P. DEB 24-03-09		
MATERIAL SPECIFICATIONS:		CUSTOMER:	
PROCESS SPECIFICATIONS:		THIS DRAWING IS SUPPLIED FOR INFORMATION ONLY. IT IS NOT TO BE USED FOR THE MANUFACTURE OF PARTS OR FOR REPRODUCTION IN ANY FORM. ALL RIGHTS ARE RESERVED. ALL DIMENSIONS ARE IN MILLIMETERS UNLESS OTHERWISE SPECIFIED.	
NEXT ASST:		SCALE: NONE	
		SHEET 1 OF 1	

Amphenol

Sine Systems - www.amphenol-sine.com
 44724 Morley Drive
 Clinton Township, MI 48038

ECO-MATE SOCKET CONTACT,
 MACHINE,FEMALE CONTACT,3.6mm