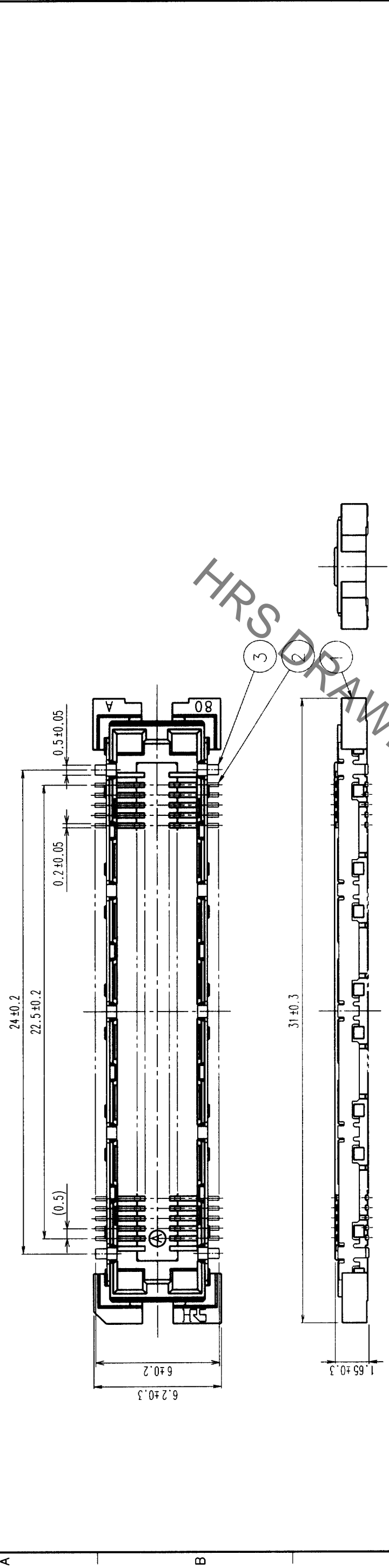
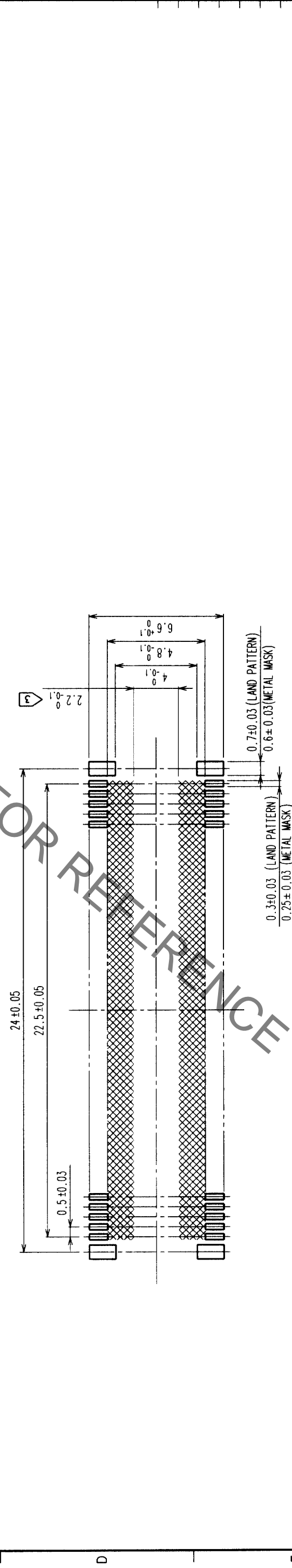


1 2 3 4 5 6 7 8

COUNT	DESCRIPTION OF REVISIONS	BY	CHKD	DATE	COUNT	DESCRIPTION OF REVISIONS	BY	CHKD	DATE
△					△				
△					△				
△					△				



RECOMMENDED LAND PATTERN DIMENSION OF PCB



- NOTES
- SMT LEAD-COPLANARITY: 0.1 MAX.
  - THIS PRODUCT HAS NO POLARITY TO PATTERN FOR MOUNTING.  
 ☞ MAKE SURE WIDTH OF PATTERN IS WITHIN THAT OF LAND, OR LEAD MAY TOUCH PATTERN. (THIS APPLIES TO HATCHED AREA.)

2	PHOSPHOR BRONZE	CONTACT AREA: GOLD (0.1μm) OVER NICKEL
1	LCP	LEAD: GOLD FLASH OVER NICKEL
NO.	MATERIAL	FINISH, REMARKS
3	PHOSPHOR BRONZE	TIN PLATED
CODE NO. (OLD)	CL	
DRAWN	DESIGNED	CHECKED
<i>S. Kitayama</i>	<i>M. Sakata</i>	<i>T. Yoshimura</i>
99.05.25	99.05.25	99.05.26
APPROVED	APPROVED	RELEASED
DRAWING NO.	PART NO.	
EDC3-152121	FX11LB-92S-SV	
SCALE	CODE NO.	
5 : 1	CL573-0153-2	
UNITS	mm	

TO	
PCK	