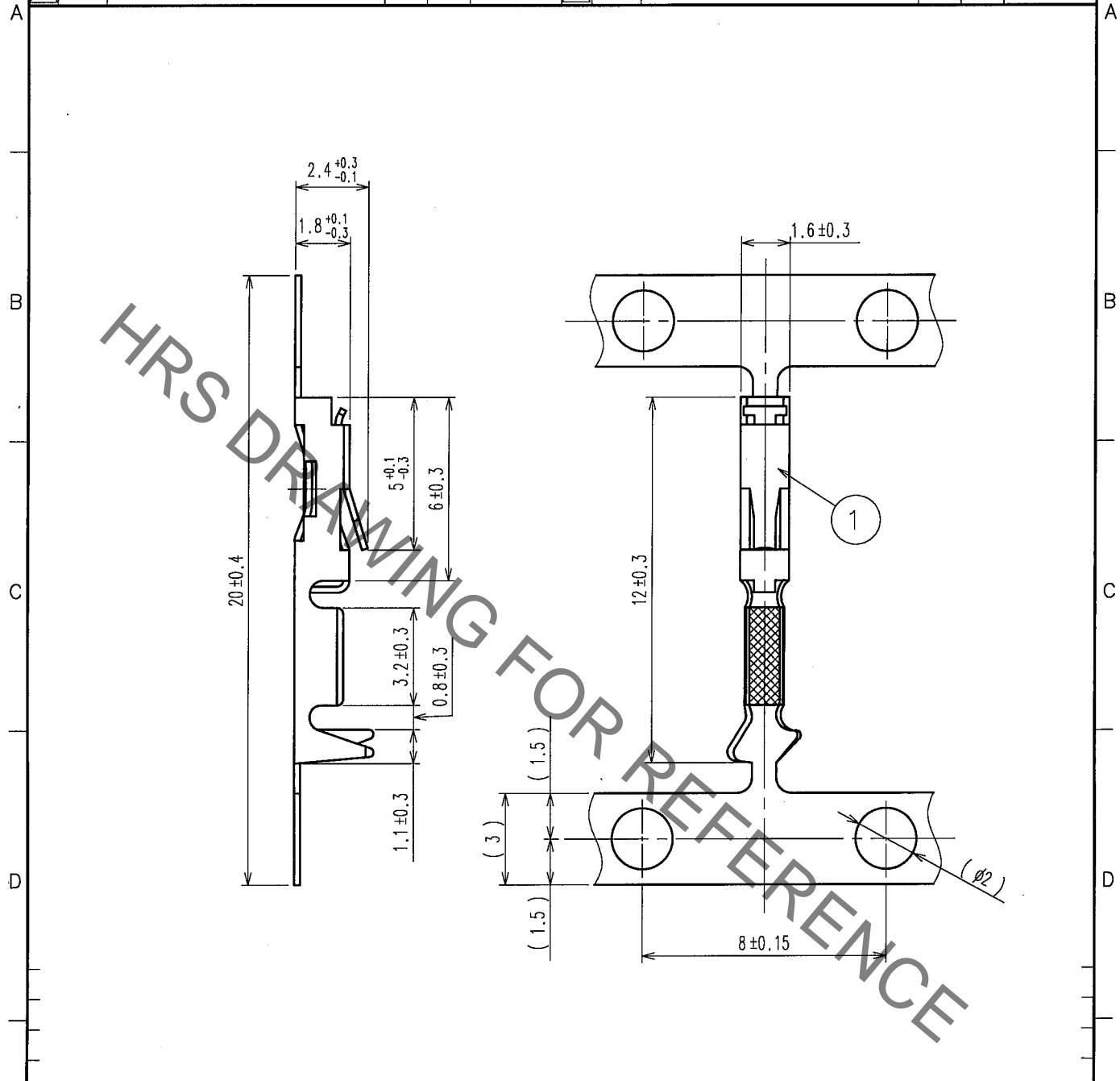


May.1.2019 Copyright 2019 HIROSE ELECTRIC CO., LTD. All Rights Reserved.  
 In case of consideration for using Automotive equipment / device which demand high reliability, kindly contact our sales window correspondents.

| 1     |                          |  |  |  | 2  |      |      |       |                          | 3 |  |  |    |      | 4    |  |  |  |  |
|-------|--------------------------|--|--|--|----|------|------|-------|--------------------------|---|--|--|----|------|------|--|--|--|--|
| COUNT | DESCRIPTION OF REVISIONS |  |  |  | BY | CHKD | DATE | COUNT | DESCRIPTION OF REVISIONS |   |  |  | BY | CHKD | DATE |  |  |  |  |
| △     |                          |  |  |  |    |      | ..   | △     |                          |   |  |  |    |      | ..   |  |  |  |  |
| △     |                          |  |  |  |    |      |      | △     |                          |   |  |  |    |      | ..   |  |  |  |  |
| △     |                          |  |  |  |    |      |      | △     |                          |   |  |  |    |      | ..   |  |  |  |  |



NOTE 1 THE DIMENSIONS IN PARENTHESES ARE FOR REFERENCE.

|     |                 |                 |     |          |   |
|-----|-----------------|-----------------|-----|----------|---|
| NO. | MATERIAL        | FINISH, REMARKS | NO. | MATERIAL | FINISH, REMARKS   |
| 1   | PHOSPHOR BRONZE |                 |     |          | CONTACT AREA: GOLD 0.2μ m min.<br>UNDER PLATING: NICKEL 1μ m min. |

|                      |                                   |   |   |  |          |
|----------------------|-----------------------------------|---|---|--|----------|
| CODE NO. (OLD)<br>CL | DRAWN<br>A. SUZUKAWA<br>'06.04.12 | DESIGNED<br><i>H. Nakamura</i><br>'06.04.17 | CHECKED<br><i>K. Ogasawara</i><br>'06.04.17 | APPROVED<br><i>H. Okawa</i><br>'06.04.17 | RELEASED |
|----------------------|-----------------------------------|---|---|--|----------|

|                                   |                               |                           |
|-----------------------------------|-------------------------------|---------------------------|
| <br>SCALE<br>5 : 1<br>UNITS<br>mm | DRAWING NO.<br>EDC4-016841    | PART NO.<br>HIF3-2428SCFA |
|                                   | <br>HIROSE ELECTRIC CO., LTD. | CODE NO.<br>CL562-0247-0  |

|     |
|-----|
| TO  |
| PCK |
|     |
|     |