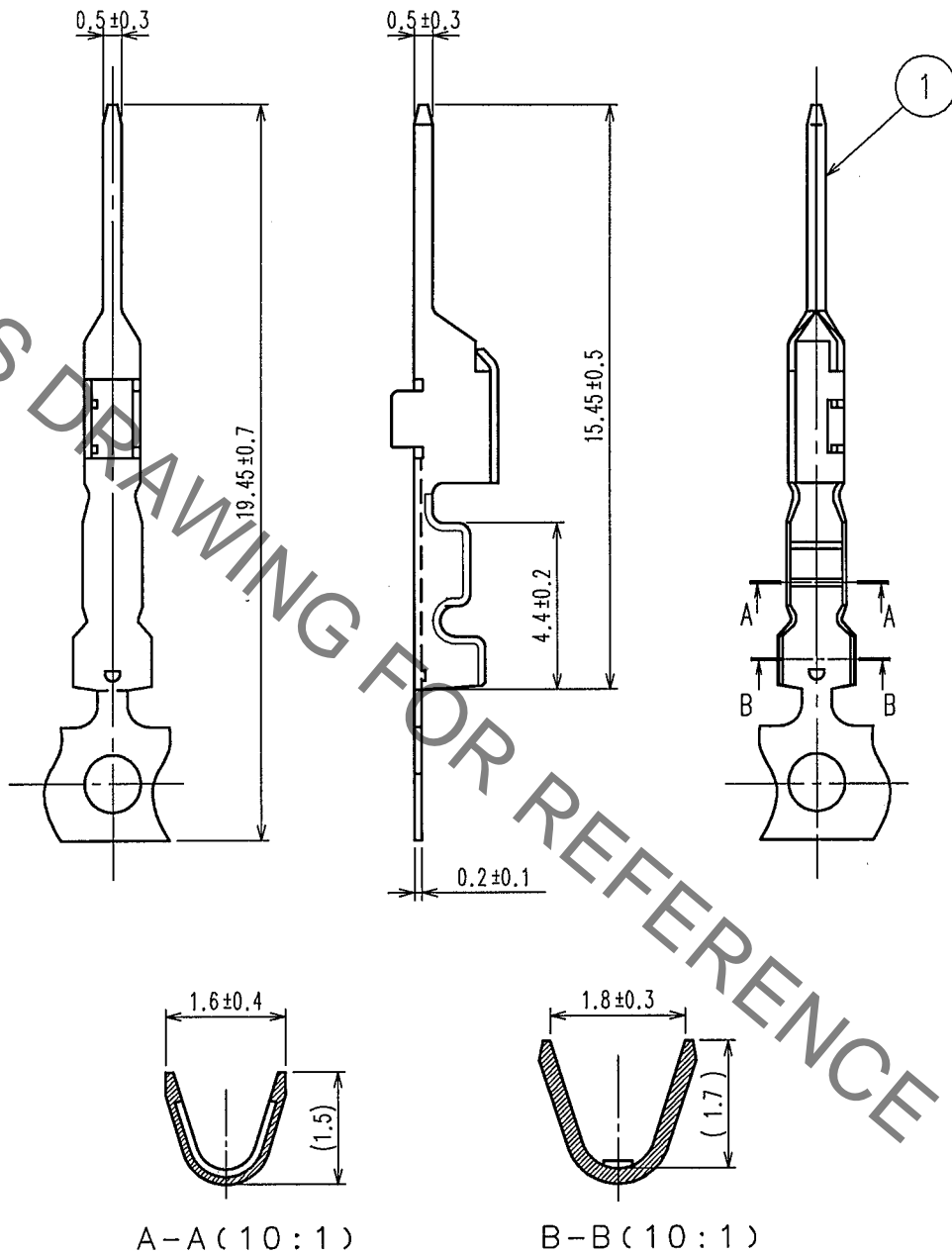


Jul.1.2019 Copyright 2019 HIROSE ELECTRIC CO., LTD. All Rights Reserved.
 In case of consideration for using Automotive equipment / device which demand high reliability, kindly contact our sales window correspondents.

1		2			3			4		
COUNT	DESCRIPTION OF REVISIONS	BY	CHKD	DATE	COUNT	DESCRIPTION OF REVISIONS	BY	CHKD	DATE	
△					△					
△					△					
△					△					

ELV. RoHS COMPLIANT



NOTE1. 10000 PIECES PER REEL.

1	BRASS	TIN PLATING
NO.	MATERIAL	FINISH, REMARKS

CODE NO. (OLD)	DRAWN	DESIGNED	CHECKED	APPROVED	RELEASED
	T. IKEDA '07. 12.07	T. IKEDA '07. 12.07	K. Aato 07.12.19	K. Aato 07.12.19	

 SCALE 5 : 1 UNITS mm	DRAWING NO. EDC4-166884	PART NO. GT8E-2428PCF
	 HIROSE ELECTRIC CO., LTD.	CODE NO. CL758-0067-6

TO
AMC

