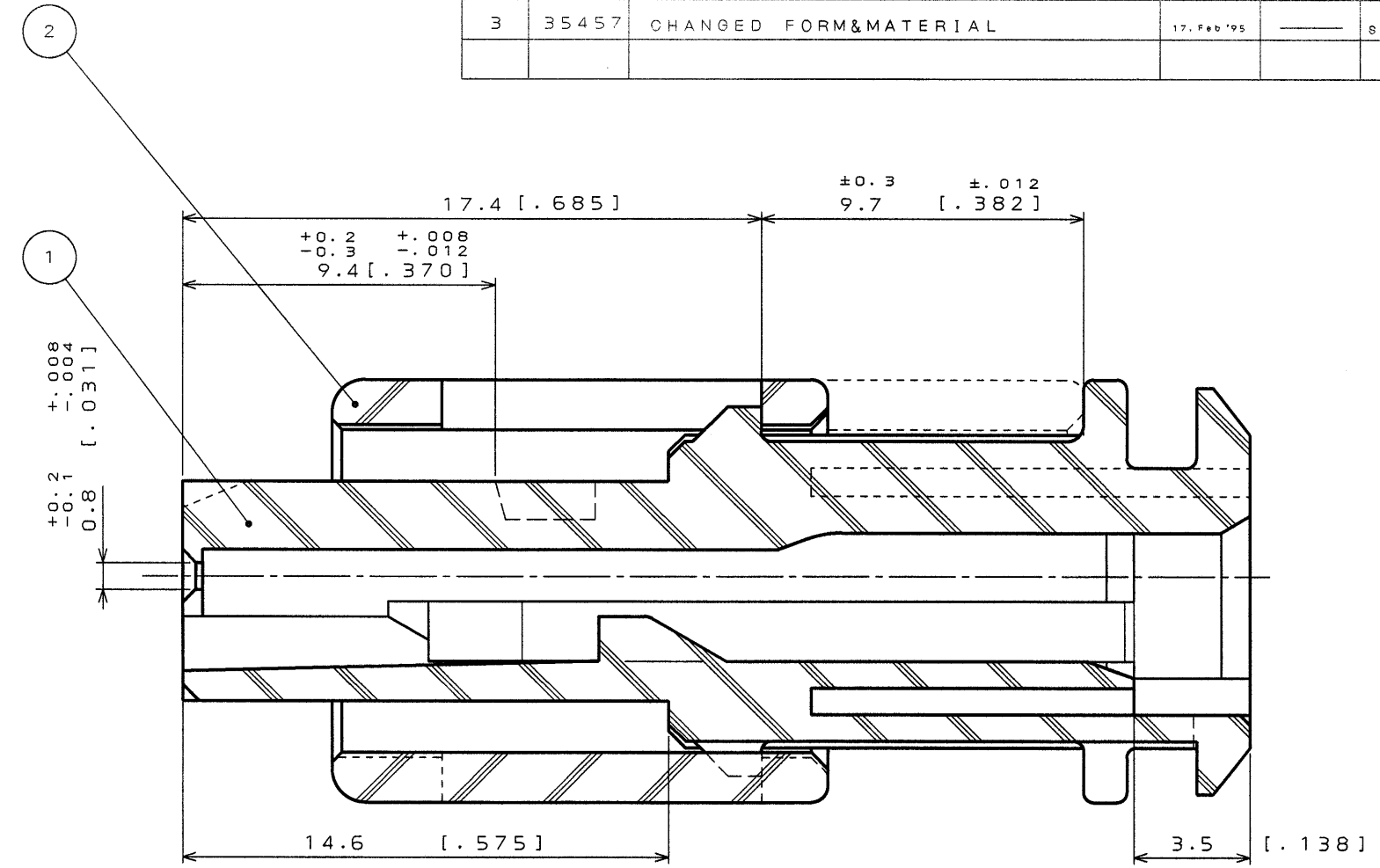
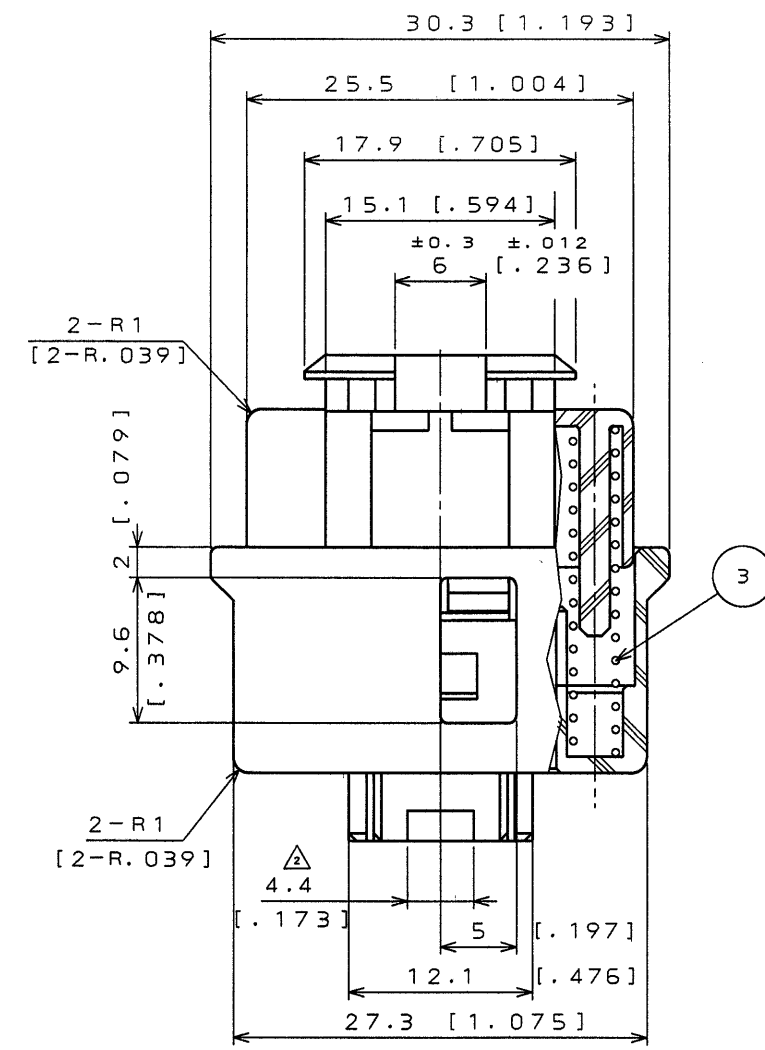
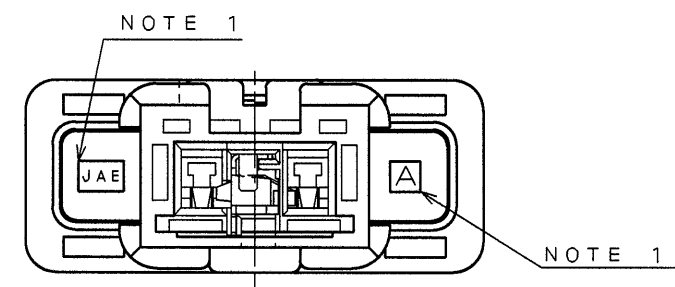
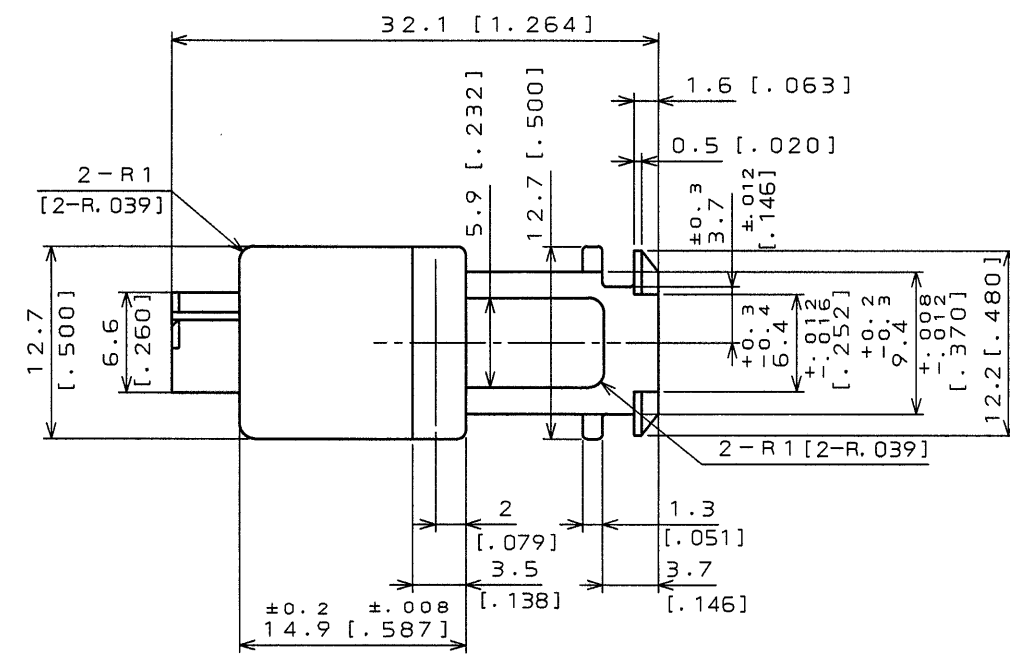
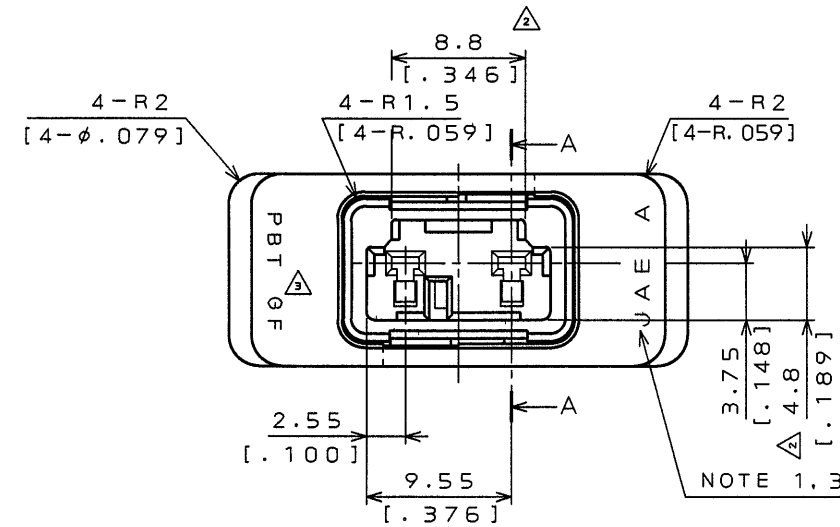


SYM.	DCN NO.	DESCRIPTION	DATE	DRAWN	CHECKED	APP'D	APP'D
2	34604	CHANGED FORM	27. Feb '94		SHINMYO	T. TOTANI	H. FUJINO
3	35457	CHANGED FORM&MATERIAL	17. Feb '95		SHINMYO		I. Shimori



SECTION A-A  
(SCALE 5/1)



- NOTE 1. COMPANY LOGO "JAE" & TOOLING MARK APPEARS IN RAISED LETTERS OR RELIEF.
2. TOLERANCES (DIMENSION: X)
- .X ≤ 10 : ±0.2 [±.008]
  - 10 < X ≤ 30 : ±0.5 [±.020]
  - 30 < X ≤ 100 : ±1 [±.039]
3. IT WILL BE NOT MATTER WHETHER THIS MARK IS LOCATED AT THE RIGHT SIDE OR THE LEFT SIDE OF THE CENTER LINE.

SPECIAL CONTROL ITEM  
MX9

DIMENSIONS ARE IN MILLIMETERS  
TOLERANCES ON: (INCHES)

DIMENSION	ANGLES	CONCENTRICITY
.X ±	X° ±	WITHIN T.I.M.
.XX ±	X'X' ±	
.XXX ±		

4	SHORT CONTACT	1	PHOSPHOR BRONZE	SELECTIVE GOLD PLATING	
3	COIL SPRING	2	SUS304		
2	COVER INSULATOR	1	GLASS FILLED PBT		COLOR: YELLOW
1	SOCKET INSULATOR	1	PBT		COLOR: YELLOW
ITEM	DESCRIPTION	Q'TY	MATERIAL	FINISH	REMARKS
REFERENCE DOCUMENT		DATE	SCALE	WT.	
		23. May. '94	JAE-CONNECTOR.COM		
MATERIAL		DRAWN	TITLE		
		M. OOWA	MX9-2SC-SH		
TREATMENT		CHECKED	SERIES		
		SHINMYO	MX9		
FINISH		APP'D	DWG. NO.		
		I. IIMORI	SJ028346-E		