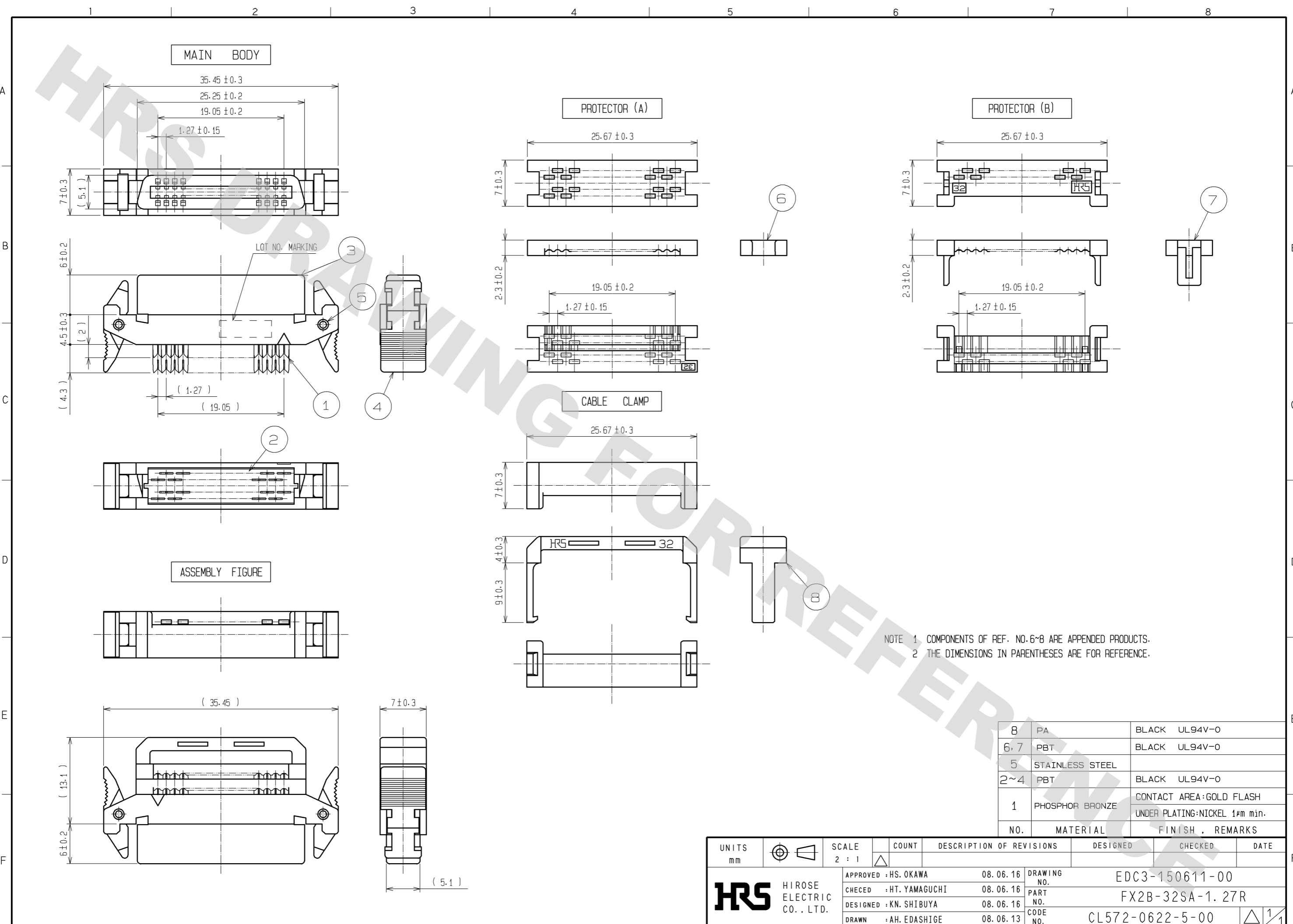


DRAWING FOR REFERENCE: This is subject to change without notice  
08/11/2012



NO.	MATERIAL	FINISH	REMARKS
8	PA	BLACK	UL94V-0
6, 7	PBT	BLACK	UL94V-0
5	STAINLESS STEEL		
2~4	PBT	BLACK	UL94V-0
1	PHOSPHOR BRONZE	CONTACT AREA: GOLD FLASH UNDER PLATING: NICKEL 1μm min.	

UNITS	SCALE	COUNT	DESCRIPTION OF REVISIONS	DESIGNED	CHECKED	DATE
mm	2 : 1	△				
<b>HRS</b> HIROSE ELECTRIC CO., LTD.			APPROVED : HS. OKAWA 08.06.16 CHECKED : HT. YAMAGUCHI 08.06.16 DESIGNED : KN. SHIBUYA 08.06.16 DRAWN : AH. EDASHIGE 08.06.13	DRAWING NO. EDC3-150611-00 PART NO. FX2B-32SA-1.27R CODE NO. CL572-0622-5-00		