



# D SUBMINIATURE CONNECTOR J SERIES

*Solder pot plug and socket*

SOLDER POT PLUG AND SOCKET



Solder pot plug



Solder pot socket

## Features

- The socket contacts are formed by high-speed stamping presses to obtain the advantages of cold working. They are therefore highly elastic, which in turn ensures reliable connection even after many mating cycles.
- The dimples in the plug shell ensure continuity between it and the socket shell, thus providing complete shielding.
- Costs are kept low by selective gold plating the contacts.
- The solder cup portions of the contacts are tin-plated for easy soldering.
- Insulator housings are made of a heat-resistant glass-filled PBT resin.

## Standards

Recognized E60389 Certified LR20812

\* Refer to "General Instruction and Notice when using Terminals and Connectors" at the end of this catalog.

\* Contact JST for details.

\* Compliant with RoHS.

# D SUBMINIATURE CONNECTOR J SERIES

## Specifications

### Materials

Connector	Part name	Material and Finish
Plug	Contact	Brass, gold-plated product: Nickel-undercoated, Mating part; gold-plated Solder tail; tin-plated (reflow treatment) tin-plated product: Copper-undercoated, tin-plated (reflow treatment)
	Insulator	Glass-filled PBT, UL94V-0, black
	Shell	Steel, copper-undercoated, nickel-plated
Socket	Contact	Phosphor bronze, gold-plated product: Nickel-undercoated, Mating part; gold-plated Solder tail; tin-plated (reflow treatment) tin-plated product: Copper-undercoated, tin-plated (reflow treatment)
	Insulator	Glass-filled PBT, UL94V-0, black
	Shell	Steel, copper-undercoated, nickel-plated

### Characteristics

Current rating	3 A AC, DC (2 A for 37 circuits)
Voltage rating	250 V AC, DC
Temperature range	-40°C to +85°C (including temperature rise in applying electrical current)
Contact resistance	Initial value/ 15 mΩ max. After environmental tests/ 30 mΩ max.
Insulation resistance	5,000 MΩ min.
Withstanding voltage	1,000 VAC/minute

Note: Contact JST for details.

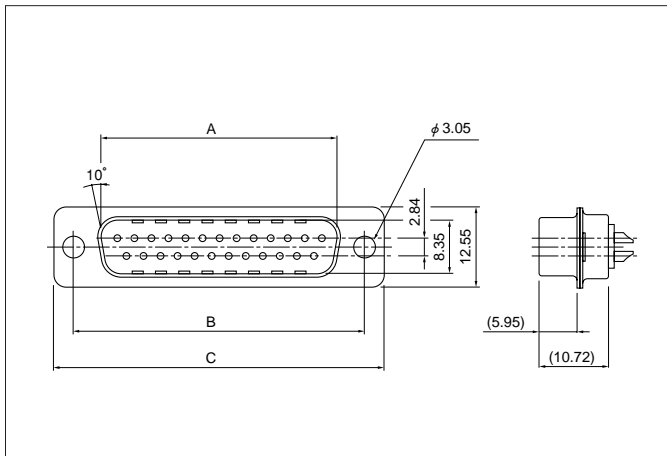
### Model number identification

J E Z - 9 P - 12 - 3

- Series name
- Shell size: E, A, B, C
- Wire connection style: Z ... Solder pot type
- Number of circuits: 9, 15, 25, 37
- Connector type: P ... Plug, S ... Socket
- Finish
  - Blank ... Gold-plated (flash)                    12 ... 0.2 micron gold-plated
  - 13 ... 0.4 micron gold-plated                    14 ... 0.76 micron gold-plated
  - 90 ... Tin-plated (reflow treatment)
- Plating specification of shell: 3 ... Copper-undercoated, nickel-plated

Note: 1. The relationship between number of circuits and shell size is shown below.  
9: E, 15: A, 25: B, 37: C  
2. Contact JST for special plating requirements.

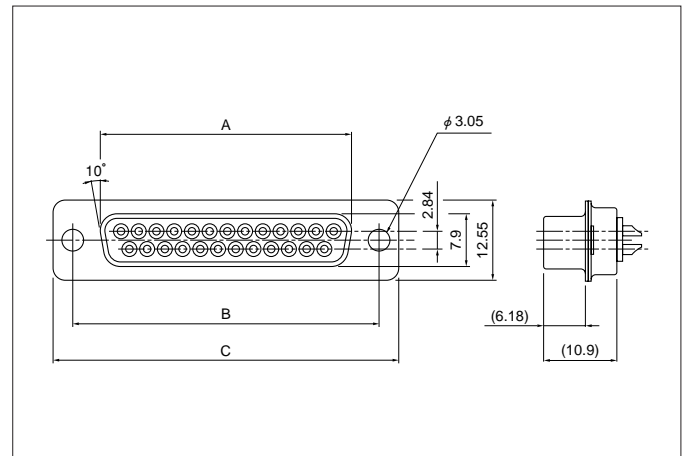
### Plug



Circuits	Model No.		Dimensions (mm)			Q'ty/box
	Gold-plated	Tin-plated	A	B	C	
9	<b>JEZ-9P-3</b>	<b>JEZ-9P-90-3</b>	16.92	24.99	30.80	100
15	<b>JAZ-15P-3</b>	—	25.25	33.32	39.14	100
25	<b>JBZ-25P-3</b>	<b>JBZ-25P-90-3</b>	38.97	47.04	53.04	50
37	<b>JCZ-37P-3</b>	<b>JCZ-37P-90-3</b>	55.43	63.50	69.32	50

RoHS compliance Gold-plated products display (LF)(SN) on a label.

### Socket



Circuits	Model No.		Dimensions (mm)			Q'ty/box
	Gold-plated	Tin-plated	A	B	C	
9	<b>JEZ-9S-3</b>	<b>JEZ-9S-90-3</b>	16.34	24.99	30.80	100
15	<b>JAZ-15S-3</b>	<b>JAZ-15S-90-3</b>	24.67	33.33	39.14	100
25	<b>JBZ-25S-3</b>	<b>JBZ-25S-90-3</b>	38.38	47.04	53.04	50
37	<b>JCZ-37S-3</b>	<b>JCZ-37S-90-3</b>	54.84	63.50	69.32	50

RoHS compliance Gold-plated products display (LF)(SN) on a label.



# D SUBMINIATURE CONNECTOR J SERIES

*Right angle through-hole plug and socket*

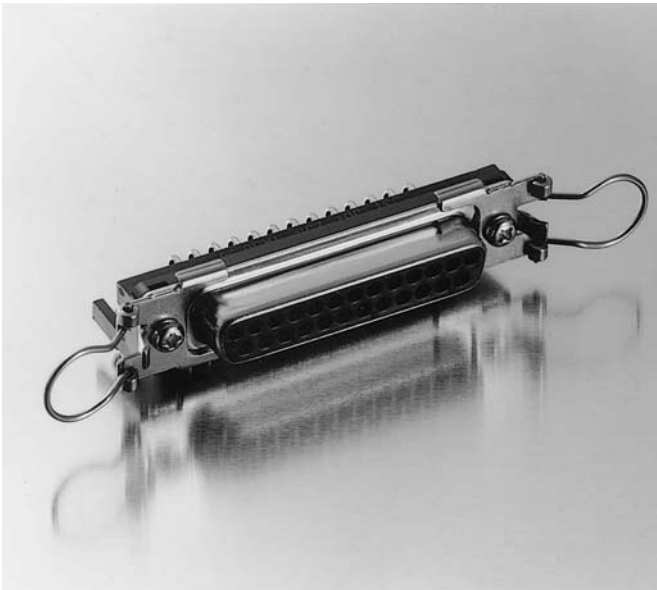
RIGHT ANGLE THROUGH-HOLE PLUG AND SOCKET



Right angle through-hole plug  
(with hexagonal lock screw blocks)



Right angle through-hole socket  
(with rectangular lock screw blocks)



Right angle through-hole socket  
(with bail lock)

## Features

- The socket contacts are made by high-speed stamping presses. This promotes the uniform elasticity of the twin-contact mating sections and therefore ensures reliable contact even after repeated mating cycles. The solder tails are U-shaped for extra strength.
- Costs are minimized by selective gold plating, high speed stamping presses, and completely automated assembly.
- To ensure complete shielding, a wide variety of grounding adapters are available so that the sockets can be grounded to different kinds of supporting structures.
- Metric, inch or other lock screw blocks are available for fastening mating plugs.

# D SUBMINIATURE CONNECTOR J SERIES

## Specifications

### Materials

Part name		Material and Finish
Contact	Plug	Brass, gold-plated product: Nickel-undercoated, Mating part: gold-plated Solder tail; tin-plated (reflow treatment) tin-plated product: Copper-undercoated, tin-plated (reflow treatment)
	Socket	Phosphor bronze, gold-plated product: Nickel-undercoated, Mating part: gold-plated Solder tail; tin-plated (reflow treatment) tin-plated product: Copper-undercoated, tin-plated (reflow treatment)
Insulator		Glass-filled PBT, UL94V-0, black
Shell		Steel, copper-undercoated, nickel-plated
Hexagonal lock screw block		Steel, copper-undercoated, nickel-plated
Rectangular lock screw block		Zinc, copper-undercoated, nickel-plated
Grounding adapter having a 3.2 mm dia. hole		Steel, copper-undercoated, nickel-plated
Grounding adapter having an M3 tapped hole		
Grounding adapter having a spring lock lever		
Spring lock	Bail lock	Stainless steel
	Accepts bail lock	

### Characteristics

Current rating	3 A AC, DC (2 A AC, DC for 37 circuits)
Voltage rating	250 V AC, DC
Temperature range	-40°C to +85°C (including temperature rise in applying electrical current)
Contact resistance	Initial value/ 15 mΩ max. After environmental tests/ 30 mΩ max.
Insulation resistance	5,000 MΩ min.
Withstanding voltage	1,000 VAC/minute
Applicable PC board thickness	1.6 mm

Note: Contact JST for details.

### Standards

Recognized E60389 Certified LR20812

\* Refer to "General Instruction and Notice when using Terminals and Connectors" at the end of this catalog.

\* Contact JST for details.

\* Compliant with RoHS.







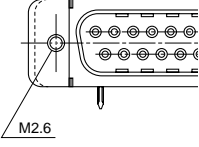
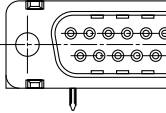
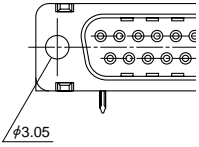
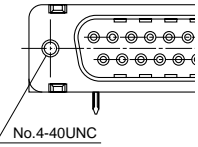
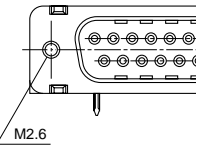
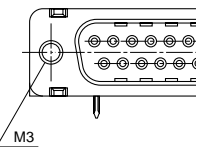
### Model number identification

	J	E	Y	-	9	S	-	1A	3	A	12	S1
• Series name												
• Shell size: E, A, B, C												
• Wire connection style: Y... Right angle through-hole style												
• Number of circuits: 9, 15, 25, 37												
• Connector type: P ... Plug, S ... Socket												
• Connector construction/Dimensions: Standard J series												
• Types of grounding adapters: 0 ... Without grounding adapters												
1 ... With grounding adapters having a 3.2 mm dia. hole												
2 ... With grounding adapters having an M3 thread												
3 ... With grounding adapters having a spring lock device (1)												
4 ... With grounding adapters having a spring lock device (2)												
• Types of lock screw blocks: A ... With hexagonal lock screw blocks having a No. 4-40UNC inch thread												
B ... With hexagonal lock screw blocks having an M2.6 thread												
C ... With rectangular lock screw blocks having an M2.6 thread												
D ... Without lock screw blocks												
E ... Without lock screw blocks, but with grounding adapters having a 3.05 mm dia. hole												
F ... Without lock screw blocks, but with grounding adapters having a No. 4-40UNC inch thread												
G ... Without lock screw blocks, but with grounding adapters having an M2.6 thread												
H ... Without lock screw blocks, but with grounding adapters having an M3 thread												
• Finish: Blank ... Gold-plated (flash)												
12 ... 0.2 micron gold-plated												
13 ... 0.4 micron gold-plated												
14 ... 0.76 micron gold-plated												
90 ... Tin-plated (reflow treatment)												
• Bail locks: Blank...Without bail locks												
S or S1...With bail locks												
S2...With bail locks (with addition of spring characteristic)												
Note: 1. The relationship between number of circuits and shell size is shown below.												
9: E, 15: A, 25: B, 37: C												
2. Contact JST for special plating requirements.												
3. Contact JST for the Socket with bail locks. (Not UL/CSA approved.)												

# D SUBMINIATURE CONNECTOR J SERIES

Right angle through-hole plug		Type A	Type B																																											
<p>H: Height of the lock screw block (for Types A, B &amp; C)</p> <table border="1"> <thead> <tr> <th rowspan="2">Circuits</th> <th colspan="2">Model No.</th> <th colspan="5">Dimensions (mm)</th> <th rowspan="2">Q'ty/ box</th> </tr> <tr> <th>Gold-plated plug</th> <th>Tin-plated plug</th> <th>A</th> <th>B</th> <th>C</th> <th>D</th> <th>E</th> </tr> </thead> <tbody> <tr> <td>9</td> <td><b>JEY-9P-1A**</b></td> <td><b>JEY-9P-1A**90</b></td> <td>16.90</td> <td>24.99</td> <td>30.80</td> <td>8.1</td> <td>9.52</td> <td>100</td> </tr> <tr> <td>15</td> <td><b>JAY-15P-1A**</b></td> <td><b>JAY-15P-1A**90</b></td> <td>25.25</td> <td>33.33</td> <td>39.14</td> <td>8.1</td> <td>9.52</td> <td>100</td> </tr> <tr> <td>25</td> <td><b>JBYP-25P-1A**</b></td> <td><b>JBYP-25P-1A**90</b></td> <td>38.97</td> <td>47.04</td> <td>53.00</td> <td>8.2</td> <td>9.62</td> <td>50</td> </tr> </tbody> </table> <p>&lt;Gold-plated product&gt; <b>RoHS compliance</b> This product displays (LF)(SN) on a label.            &lt;Tin-plated product&gt; *1, 2, 3 ... <b>RoHS compliance</b> *4, 5 ... <b>RoHS compliance</b> This product displays (LF) on a label.            Note: ** shows the location where a two-digit code (see the table below for codes) should be entered.            For example, if a 9-circuit gold-plated (flash) plug with hexagonal lock screw blocks having a No.4-40UNC inch thread and without grounding adapters is required, specify the model number as JEY-9P-1A0A.</p>		Circuits	Model No.		Dimensions (mm)					Q'ty/ box	Gold-plated plug	Tin-plated plug	A	B	C	D	E	9	<b>JEY-9P-1A**</b>	<b>JEY-9P-1A**90</b>	16.90	24.99	30.80	8.1	9.52	100	15	<b>JAY-15P-1A**</b>	<b>JAY-15P-1A**90</b>	25.25	33.33	39.14	8.1	9.52	100	25	<b>JBYP-25P-1A**</b>	<b>JBYP-25P-1A**90</b>	38.97	47.04	53.00	8.2	9.62	50	<p>With hexagonal lock screw blocks (H: 6.3 mm) having a No.4-40UNC inch thread</p>	<p>With hexagonal lock screw blocks (H: 6.3 mm) having an M2.6 thread</p>
Circuits	Model No.		Dimensions (mm)					Q'ty/ box																																						
	Gold-plated plug	Tin-plated plug	A	B	C	D	E																																							
9	<b>JEY-9P-1A**</b>	<b>JEY-9P-1A**90</b>	16.90	24.99	30.80	8.1	9.52	100																																						
15	<b>JAY-15P-1A**</b>	<b>JAY-15P-1A**90</b>	25.25	33.33	39.14	8.1	9.52	100																																						
25	<b>JBYP-25P-1A**</b>	<b>JBYP-25P-1A**90</b>	38.97	47.04	53.00	8.2	9.62	50																																						
*1 Without grounding adapters		0A	0B																																											
*2 With grounding adapters with a 3.2 mm dia. hole		1A	1B																																											
*3 With grounding adapters with an M3 thread		2A	2B																																											
*4 With grounding adapters with a spring lock device (1)		3A	3B																																											
*5 With grounding adapters with a spring lock device (2)		—	—																																											







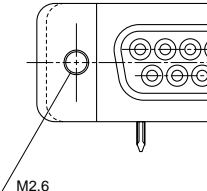
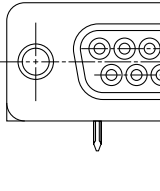
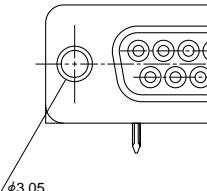
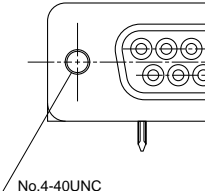
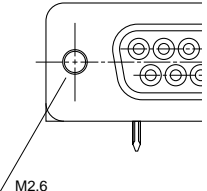
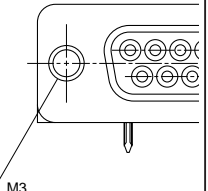
# D SUBMINIATURE CONNECTOR J SERIES

Type C	Type D	Type E	Type F	Type G	Type H
					
With rectangular lock screw blocks (H: 6.2 mm) having an M2.6 thread	Without lock screw blocks	Without lock screw blocks E: Grounding adapter has no thread. F, G, H: Grounding adapters have a thread (*1) for securing separately-purchased lock screw blocks (*2)			
		Use a lock screw block of Model number JFS-( )S-C1N.	*1: No.4-40UNC inch thread *2: Model number JFS-4S-( )1W(M)	*1: M2.6 thread *2: Model number JFS-2.6S-( )1W(M)	*1: M3 thread *2: Model number JFS-3S-( )1W(M)
					
0C	0D	—	—	—	—
1C	1D	—	1F	1G	—
2C	2D	2E	2F	2G	—
3C	3D	3E	3F	3G	—
—	—	—	—	—	4H

# D SUBMINIATURE CONNECTOR J SERIES

Right angle through-hole socket		Type A	Type B																																																				
<p>H: Height of the lock screw block (for Types A, B &amp; C)</p> <table border="1"> <thead> <tr> <th rowspan="2">Circuits</th> <th colspan="2">Model No.</th> <th colspan="5">Dimensions (mm)</th> <th rowspan="2">Q'ty/ box</th> </tr> <tr> <th>Gold-plated socket</th> <th>Tin-plated socket</th> <th>A</th> <th>B</th> <th>C</th> <th>D</th> <th>E</th> </tr> </thead> <tbody> <tr> <td>9</td> <td><b>JEY-9S-1A**</b></td> <td><b>JEY-9S-1A**90</b></td> <td>16.34</td> <td>24.99</td> <td>30.81</td> <td>8.1</td> <td>9.52</td> <td>100</td> </tr> <tr> <td>15</td> <td><b>JAY-15S-1A**</b></td> <td><b>JAY-15S-1A**90</b></td> <td>24.67</td> <td>33.32</td> <td>39.14</td> <td>8.1</td> <td>9.52</td> <td>100</td> </tr> <tr> <td>25</td> <td><b>JBY-25S-1A**</b></td> <td><b>JBY-25S-1A**90</b></td> <td>38.38</td> <td>47.04</td> <td>53.04</td> <td>8.2</td> <td>9.62</td> <td>50</td> </tr> <tr> <td>37</td> <td><b>JCY-37S-1A**</b></td> <td><b>JCY-37S-1A**90</b></td> <td>54.84</td> <td>63.50</td> <td>69.32</td> <td>8.2</td> <td>9.62</td> <td>50</td> </tr> </tbody> </table> <p>&lt;Gold-plated product&gt; <b>RoHS compliance</b> This product displays (LF)(SN) on a label.            &lt;Tin-plated product&gt; *1, 2, 3... <b>RoHS compliance</b>            *4, 5... <b>RoHS compliance</b> This product displays (LF) on a label.</p> <p>Note:1. ** shows the location where a two-digit code (see the table below for codes) should be entered. For example, if a 9-circuit gold-plated (flash) socket with hexagonal lock screw blocks having a No.4-40UNC inch thread and without grounding adapters is required, specify the model number as JEY-9S-1A0A.            2. It may be out of production depending on a combination.</p>		Circuits	Model No.		Dimensions (mm)					Q'ty/ box	Gold-plated socket	Tin-plated socket	A	B	C	D	E	9	<b>JEY-9S-1A**</b>	<b>JEY-9S-1A**90</b>	16.34	24.99	30.81	8.1	9.52	100	15	<b>JAY-15S-1A**</b>	<b>JAY-15S-1A**90</b>	24.67	33.32	39.14	8.1	9.52	100	25	<b>JBY-25S-1A**</b>	<b>JBY-25S-1A**90</b>	38.38	47.04	53.04	8.2	9.62	50	37	<b>JCY-37S-1A**</b>	<b>JCY-37S-1A**90</b>	54.84	63.50	69.32	8.2	9.62	50	<p>With hexagonal lock screw blocks (H: 6.3 mm) having a No.4-40UNC inch thread</p>	<p>With hexagonal lock screw blocks (H: 6.3 mm) having an M2.6 thread</p>
Circuits	Model No.		Dimensions (mm)					Q'ty/ box																																															
	Gold-plated socket	Tin-plated socket	A	B	C	D	E																																																
9	<b>JEY-9S-1A**</b>	<b>JEY-9S-1A**90</b>	16.34	24.99	30.81	8.1	9.52	100																																															
15	<b>JAY-15S-1A**</b>	<b>JAY-15S-1A**90</b>	24.67	33.32	39.14	8.1	9.52	100																																															
25	<b>JBY-25S-1A**</b>	<b>JBY-25S-1A**90</b>	38.38	47.04	53.04	8.2	9.62	50																																															
37	<b>JCY-37S-1A**</b>	<b>JCY-37S-1A**90</b>	54.84	63.50	69.32	8.2	9.62	50																																															
*1 Without grounding adapters		0A	0B																																																				
*2 With grounding adapters with a 3.2 mm dia. hole		1A	1B																																																				
*3 With grounding adapters with an M3 thread		2A	2B																																																				
*4 With grounding adapters with a spring lock device (1)		3A	3B																																																				
*5 With grounding adapters with a spring lock device (2)		—	—																																																				

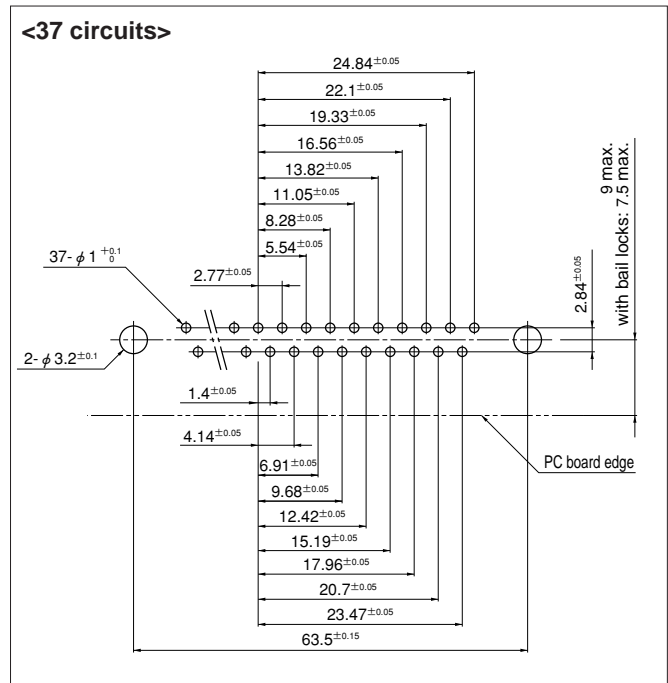
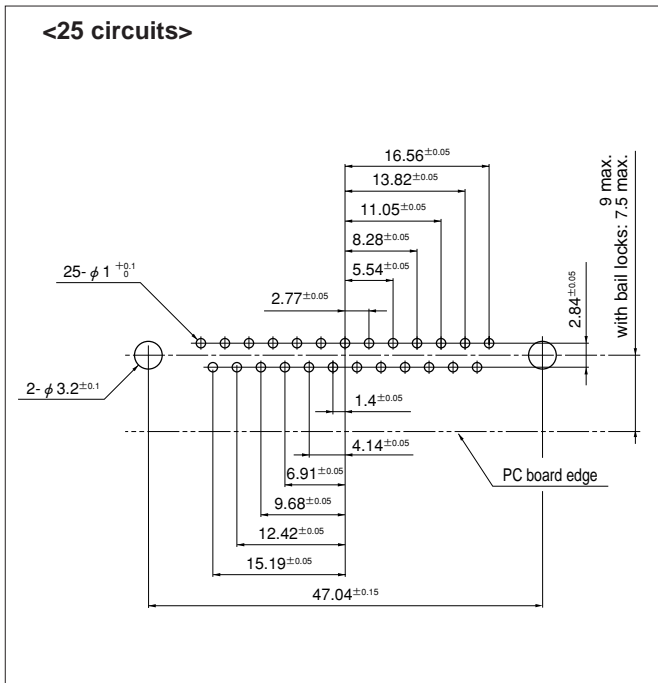
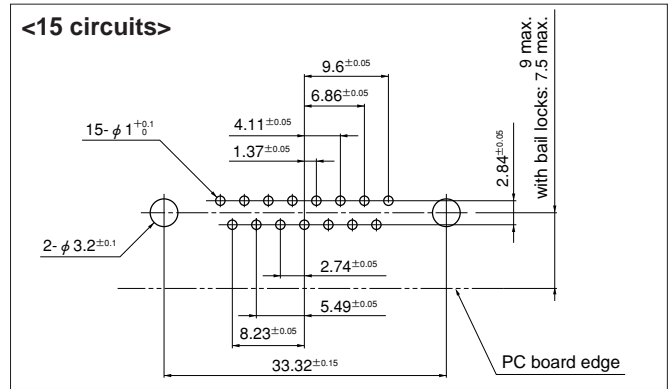
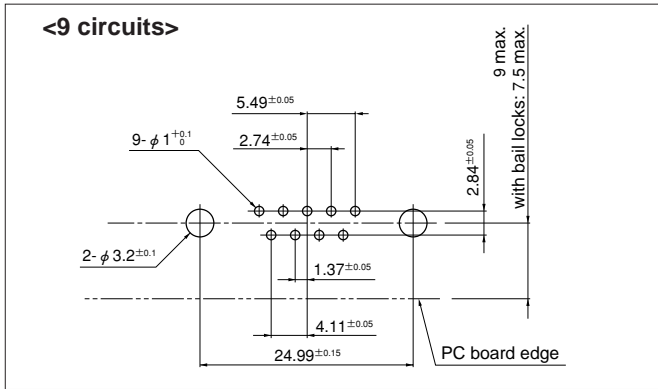
# D SUBMINIATURE CONNECTOR J SERIES

Type C	Type D	Type E	Type F	Type G	Type H
					
With rectangular lock screw blocks (H: 6.2 mm) having an M2.6 thread	Without lock screw blocks	Without lock screw blocks E: Grounding adapter has no thread. F, G, H: Grounding adapters have a thread (*1) for securing separately-purchased lock screw blocks (*2)			
		Used a lock screw block [model number JFS-( )S-C1N]	*1: No.4-40UNC inch thread *2: Model number JFS-4S-( )1W(M)	*1: M2.6 thread *2: Model number JFS-2.6S-( )1W(M)	*1: M3 thread *2: Model number JFS-3S-( )1W(M)
					
0C	0D	—	—	—	—
1C	1D	1E	1F	1G	—
2C	2D	2E	2F	—	—
3C	3D	3E	3F	3G	—
—	—	—	—	—	4H



# D SUBMINIATURE CONNECTOR J SERIES

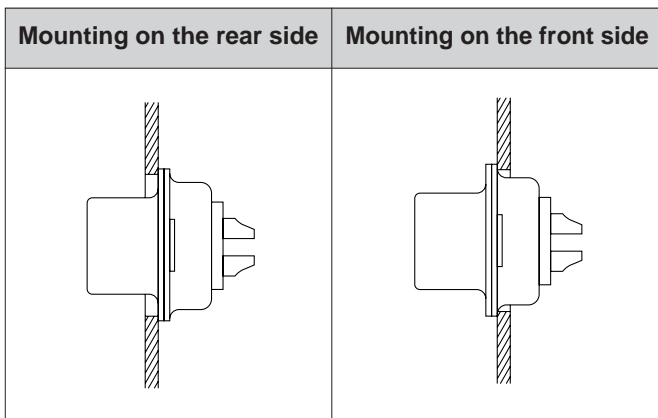
## PC board layout (viewed from component side)



Note: 1. Tolerances are non-cumulative:  $\pm 0.05$  mm for all centers.

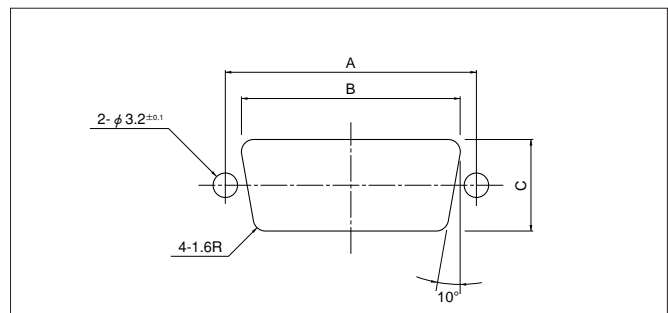
2. Hole dimensions differ according to the type of PC board and piercing method. The dimensions above should serve as a guideline. Contact JST for details.

## Panel layout



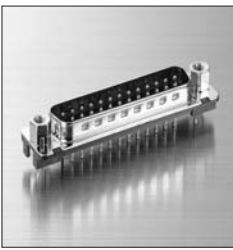
The connector can be mounted either on the front side or on the rear side of the panel as shown above.

Use M2.5 or M2.6 screws for installation.



Circuits	A $\pm 0.15$	B $\pm 0.2$	C $\pm 0.2$
9	24.99	20.6	12.0
15	33.32	28.8	12.0
25	47.04	42.6	12.0
37	63.50	59.0	12.0

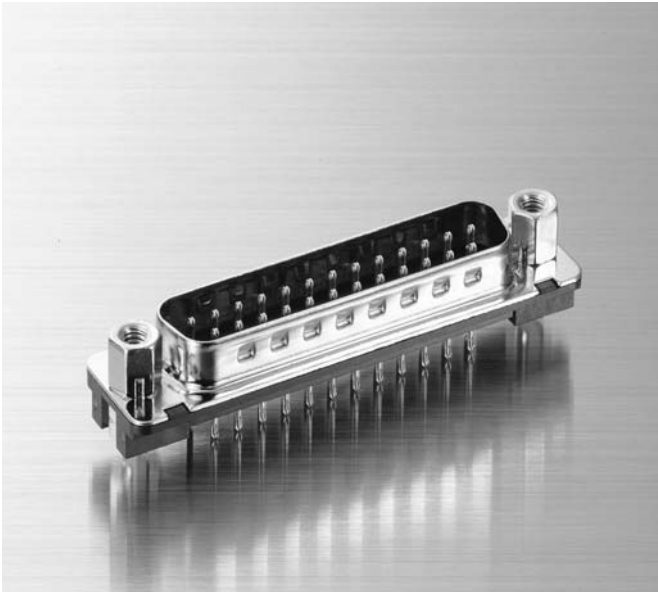
Note: The dimensions above should serve as a guideline. Contact JST for details.



# D SUBMINIATURE CONNECTOR J SERIES

## Straight through-hole plug and socket

### STRAIGHT THROUGH-HOLE PLUG AND SOCKET



Straight through-hole plug  
(with hexagonal lock screw blocks)



Straight through-hole socket (without lock screw blocks, but with  
grounding adapters having a No.4-40UNC inch thread)

## Features

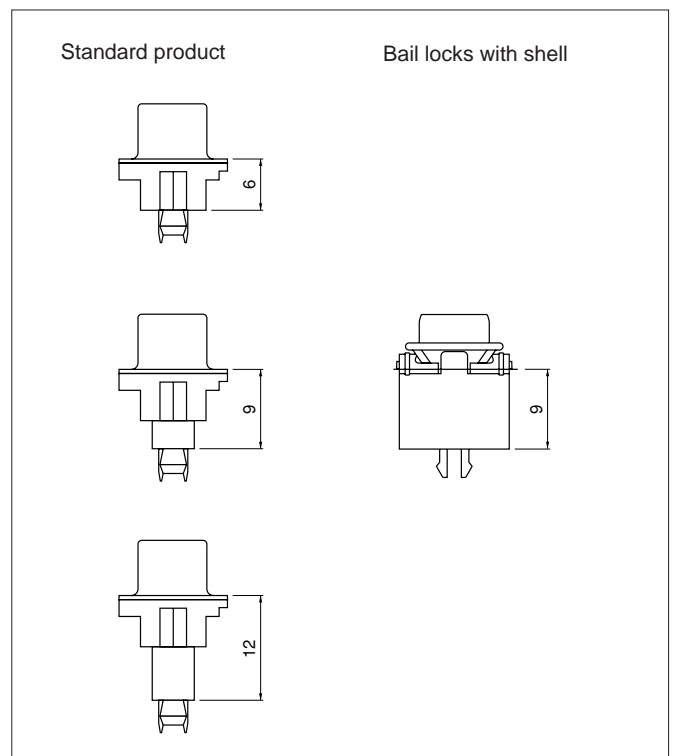
- Three standard types are available with different dimensions between the flange and solder tail: 6 mm, 9 mm, and 12 mm.
- The roots of the contact leads are covered to prevent flux from rising into the connector during soldering.
- A grounding adapter with a spring lock device allows the connector to be temporarily secured onto the printed circuit board so that the connector can be soldered easily.

## Standards

Recognized E60389

Certified LR20812

- \* Refer to "General Instruction and Notice when using Terminals and Connectors" at the end of this catalog.
- \* Contact JST for details.
- \* Compliant with RoHS.



# D SUBMINIATURE CONNECTOR J SERIES

## Specifications

### Materials

Part name		Material and Finish
Contact	Plug	Brass, gold-plated product: Nickel-undercoated, Mating part; gold-plated Solder tail; tin-plated (reflow treatment)
	Socket	Phosphor bronze, gold-plated product: Nickel-undercoated, Mating part; gold-plated Solder tail; tin-plated (reflow treatment)
Insulator		Glass-filled PBT, UL94V-0, black
Shell		Steel, copper-undercoated, nickel-plated
Hexagonal lock screw block		Steel, copper-undercoated, nickel-plated
Grounding adapter with spring lock device	Cutting product	Brass, nickel-undercoated, tin/copper alloy-plated
	Stamping product	Brass, tin-plated (reflow treatment)
Spring lock	Bail lock	Stainless steel
	Accepts bail lock	

### Characteristics

Current rating	3 A AC, DC
Voltage rating	250 V AC, DC
Temperature range	-40°C to +85°C (including temperature rise in applying electrical current)
Contact resistance	Initial value/ 15 mΩ max. After environmental tests/ 30 mΩ max.
Insulation resistance	5,000 MΩ min.
Withstanding voltage	1,000 VAC/minute
Applicable PC board thickness	1.6 mm



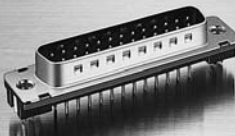


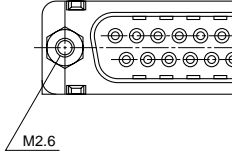
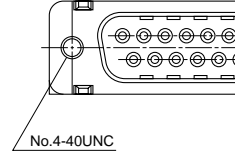
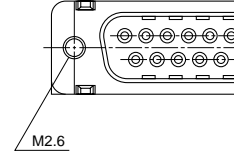
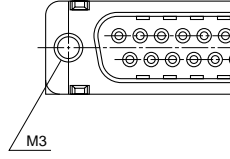
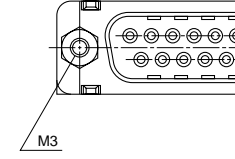
Note: Contact JST for details.

Straight through-hole plug		Type A						
		<p>With hexagonal lock screw blocks(H: 6.3 mm) having a No.4-40UNC inch thread</p>						
<p>H: Height of the lock screw block (for Types A, B &amp; J)</p>								
Circuits	Dimension between flange and solder tail (mm)	Model No.		Dimensions (mm)				Q'ty/box
		Gold-plated (flash) Plug	Gold-plated 0.76 micron	A	B	C	D	
9	6	<b>JES-9P-2A**</b>	<b>JES-9P-2A**14</b>	16.90	24.99	30.8	2.4	100
	9	<b>JES-9P-3A**</b>	<b>JES-9P-3A**14</b>					
	12	<b>JES-9P-4A**</b>	<b>JES-9P-4A**14</b>					
25	6	<b>JBS-25P-2A**</b>	<b>JBS-25P-2A**14</b>	38.97	47.04	53.0	2.5	50
	9	<b>JBS-25P-3A**</b>	<b>JBS-25P-3A**14</b>					
	12	<b>JBS-25P-4A**</b>	<b>JBS-25P-4A**14</b>					
<p><b>RoHS compliance</b> This product displays (LF)(SN) A on a label.            Note: ** shows the location where a two-digit code (see the table below for codes) should be entered. For example, if a 9-circuit gold-plated (flash) plug with hexagonal lock screw blocks having a No. 4-40UNC inch thread and with grounding adapters whose dimension between flange and solder tail is 6 mm is required, specify the model number as JES-9P-3A3A.</p>								
<p>With grounding adapters with a spring lock device</p>				<p style="text-align: center; font-size: 2em;"><b>3A</b></p>				

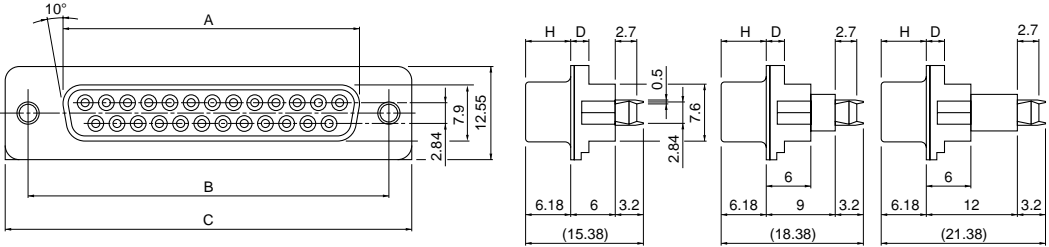
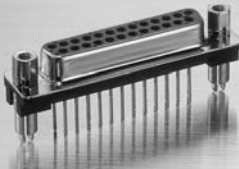
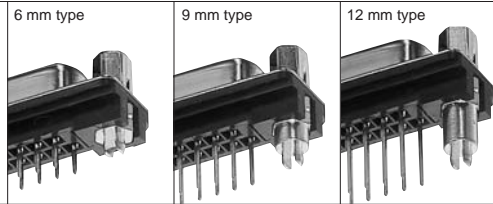



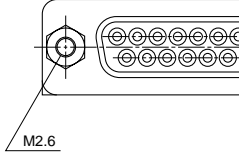
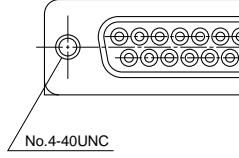
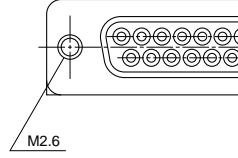
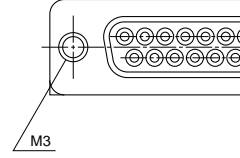
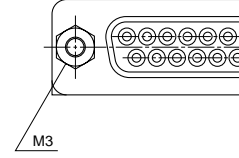
# D SUBMINIATURE CONNECTOR J SERIES

## Model number identification

	J    B    S - 25    P - 2A    3    F    14    S1
<ul style="list-style-type: none"> <li>• Series name</li> <li>• Shell size: B, E</li> <li>• Wire connection type: S ... Straight through-hole type</li> <li>• Number of circuits: 9, 25</li> <li>• Connector type: P ... Plug, S ... Socket</li> <li>• Connector construction/ dimensions: 2A ... 6 mm from flange to solder tail, 3A ... 9 mm from flange to solder tail, 4A ... 12 mm from flange to solder tail</li> <li>• Types of grounding adapter: 3 ... Grounding adapter with a spring lock device (Cutting product), 7 ... Grounding adapter with a spring lock device (Stamping product)</li> <li>• Types of lock screw block: A ... With hexagonal lock screw blocks having a No. 4-40UNC inch thread B ... With hexagonal lock screw blocks having an M2.6 thread F ... Without lock screw blocks, but with grounding adapters having a No.4-40UNC inch thread G ... Without lock screw blocks, but with grounding adapters having an M2.6 thread H ... Without lock screw blocks, but with grounding adapters having an M3 thread J ... With hexagonal lock screw blocks having an M3 thread K ... Without lock screw blocks, spring lock (Bail lock) with shell</li> <li>• Finish of mating part Blank ... Gold-plated (flash)      12 ... 0.2 micron gold-plated 13 ... 0.4 micron gold-plated      14 ... 0.76 micron gold-plated      90 ... Tin-plated (reflow treatment)</li> <li>• Bail locks Blank...Without bail locks, S or S1...With bail locks (bent oval type), S2...With bail locks (with addition of spring characteristic, bent oval type), S3...With bail locks (with addition of spring characteristic, straight rhombic type), S4...With bail locks (with addition of spring characteristic, rhombic type) S5...With bail locks (with addition of spring characteristic, straight oval type), S6...With bail locks (with addition of spring characteristic, parallel oval type with shell)</li> </ul>	<p style="font-size: small;">Note: 1. In the J Series, the number of circuits is determined by the shell size: 9 circuits for E and 25 circuits for B. 2. Contact JST for special plating requirements. 3. Contact JST for the dimensions between the flange and solder tail other than those listed above. 4. Grounding adapters that can secure printed circuit boards are also available. 5. Contact JST for the Receptacle with spring lock devices. (Not UL/CSA approved.)</p>

Type B	Type F	Type G	Type H	Type J
				
With hexagonal lock screw blocks (H: 6.3 mm) having an M2.6 thread	Without lock screw blocks F, G, H: Grounding adapters have a thread (*1) for securing separately-purchased lock screw blocks (*2)			With hexagonal lock screw blocks (H: 6.3 mm) having an M3 thread
	*1: No.4-40UNC inch thread *2: Model number SFS-4S-( )1W(M)	*1: M2.6 thread *2: Model number SFS-2.6S-( )1W(M)	*1: M3 thread *2: Model number SFS-3S-( )1W(M)	
				
3B	3F	3G	3H	3J

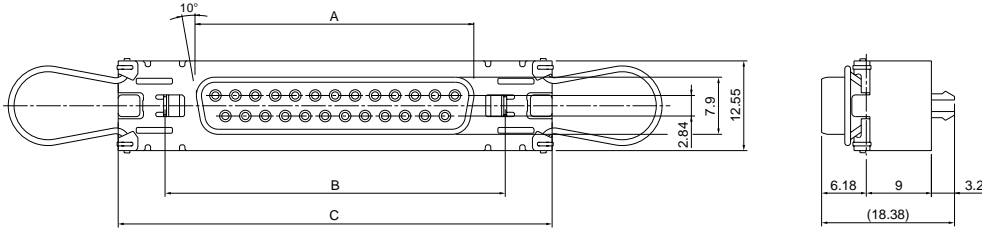
# D SUBMINIATURE CONNECTOR J SERIES

Straight through-hole socket / Standard product		Type A																																																							
		 <p>With hexagonal lock screw blocks (H:6.3 mm) having a No.4-40UNC inch thread</p>																																																							
<p>H: Height of the lock screw block (for Types A, B &amp; J)</p> <table border="1"> <thead> <tr> <th rowspan="2">Circuits</th> <th rowspan="2">Dimension between flange and solder tail (mm)</th> <th colspan="3">Model No.</th> <th colspan="4">Dimensions (mm)</th> <th rowspan="2">Q'ty/box</th> </tr> <tr> <th>Gold-plated (flash) socket</th> <th>Gold-plated 0.76 micron</th> <th>Tin-plated</th> <th>A</th> <th>B</th> <th>C</th> <th>D</th> </tr> </thead> <tbody> <tr> <td rowspan="3">9</td> <td>6</td> <td><b>JES-9S-2A**</b></td> <td><b>JES-9S-2A**14</b></td> <td>—</td> <td rowspan="3">16.34</td> <td rowspan="3">24.99</td> <td rowspan="3">30.8</td> <td rowspan="3">2.4</td> <td rowspan="3">100</td> </tr> <tr> <td>9</td> <td><b>JES-9S-3A**</b></td> <td><b>JES-9S-3A**14</b></td> <td>—</td> </tr> <tr> <td>12</td> <td><b>JES-9S-4A**</b></td> <td><b>JES-9S-4A**14</b></td> <td>—</td> </tr> <tr> <td rowspan="3">25</td> <td>6</td> <td><b>JBS-25S-2A**</b></td> <td><b>JBS-25S-2A**14</b></td> <td><b>JBS-25S-2A**90</b></td> <td rowspan="3">38.38</td> <td rowspan="3">47.04</td> <td rowspan="3">53.0</td> <td rowspan="3">2.5</td> <td rowspan="3">50</td> </tr> <tr> <td>9</td> <td><b>JBS-25S-3A**</b></td> <td><b>JBS-25S-3A**14</b></td> <td><b>JBS-25S-3A**90</b></td> </tr> <tr> <td>12</td> <td><b>JBS-25S-4A**</b></td> <td><b>JBS-25S-4A**14</b></td> <td>—</td> </tr> </tbody> </table> <p>&lt;Gold-plated product&gt; <b>RoHS compliance</b> This product displays (LF)(SN) A on a label.          &lt;Tin-plated product&gt; <b>RoHS compliance</b> This product displays (LF) A on a label.          Note: ** shows the location where a two-digit code (see the table below for codes) should be entered. For example, if a 9-circuit gold-plated (flash) socket with hexagonal lock screw blocks having a No. 4-40UNC inch thread and with grounding adapters whose dimension between flange and solder tail is 6 mm is required, specify the model number as JES-9S-3A3A.</p>					Circuits	Dimension between flange and solder tail (mm)	Model No.			Dimensions (mm)				Q'ty/box	Gold-plated (flash) socket	Gold-plated 0.76 micron	Tin-plated	A	B	C	D	9	6	<b>JES-9S-2A**</b>	<b>JES-9S-2A**14</b>	—	16.34	24.99	30.8	2.4	100	9	<b>JES-9S-3A**</b>	<b>JES-9S-3A**14</b>	—	12	<b>JES-9S-4A**</b>	<b>JES-9S-4A**14</b>	—	25	6	<b>JBS-25S-2A**</b>	<b>JBS-25S-2A**14</b>	<b>JBS-25S-2A**90</b>	38.38	47.04	53.0	2.5	50	9	<b>JBS-25S-3A**</b>	<b>JBS-25S-3A**14</b>	<b>JBS-25S-3A**90</b>	12	<b>JBS-25S-4A**</b>	<b>JBS-25S-4A**14</b>	—
Circuits	Dimension between flange and solder tail (mm)	Model No.					Dimensions (mm)				Q'ty/box																																														
		Gold-plated (flash) socket	Gold-plated 0.76 micron	Tin-plated	A	B	C	D																																																	
9	6	<b>JES-9S-2A**</b>	<b>JES-9S-2A**14</b>	—	16.34	24.99	30.8	2.4	100																																																
	9	<b>JES-9S-3A**</b>	<b>JES-9S-3A**14</b>	—																																																					
	12	<b>JES-9S-4A**</b>	<b>JES-9S-4A**14</b>	—																																																					
25	6	<b>JBS-25S-2A**</b>	<b>JBS-25S-2A**14</b>	<b>JBS-25S-2A**90</b>	38.38	47.04	53.0	2.5	50																																																
	9	<b>JBS-25S-3A**</b>	<b>JBS-25S-3A**14</b>	<b>JBS-25S-3A**90</b>																																																					
	12	<b>JBS-25S-4A**</b>	<b>JBS-25S-4A**14</b>	—																																																					
<p>With grounding adapters with a spring lock device</p>					<p>3A</p>																																																				
Type B	Type F	Type G	Type H	Type J																																																					
 <p>With hexagonal lock screw blocks (H: 6.3 mm) having an M2.6 thread</p>	<p>Without lock screw blocks                  F, G, H: Grounding adapters have a thread (*1) for securing separately-purchased lock screw blocks (*2)</p>			 <p>With hexagonal lock screw blocks (H: 6.3 mm) having an M3 thread</p>																																																					
	<p>*1: No.4-40UNC inch thread                  *2: Model number SFS-4S-( )1W(M)</p> 	<p>*1: M2.6 thread                  *2: Model number SFS-2.6S-( )1W(M)</p> 	<p>*1: M3 thread                  *2: Model number SFS-3S-( )1W(M)</p> 																																																						
<p>3B</p>	<p>3F</p>	<p>3G</p>	<p>3H                  Note: JBS-25S-2A3H is excluded.</p>	<p>3J</p>																																																					

# D SUBMINIATURE CONNECTOR J SERIES

## Straight through-hole socket / Bail locks with shell

## Type K



Circuits	Dimension between flange and solder tail (mm)	Model No.	Dimensions (mm)			Q'ty/box
		Gold-plated (flash) Socket	A	B	C	
9	9	<b>JES-9S-3A7KS6</b>	16.34	24.99	38	180
25	9	<b>JBS-25S-3A7KS6</b>	38.38	47.04	60	108

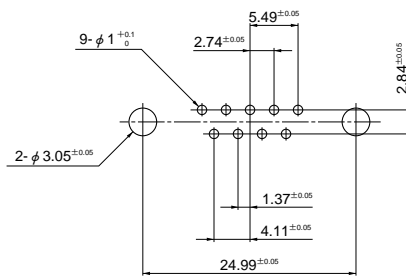
With grounding adapters with a spring lock device

9 mm type

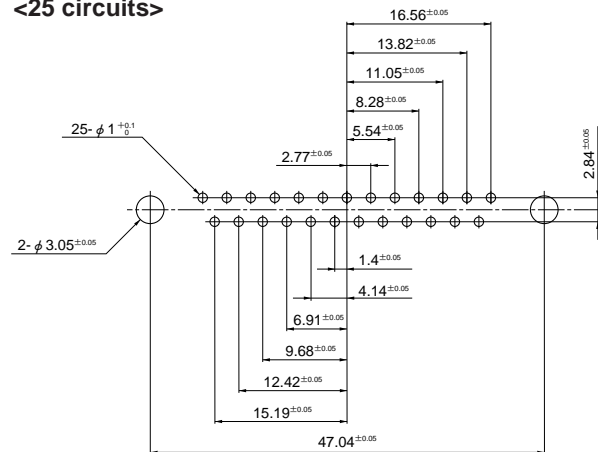


## PC board layout (viewed from component side)

<9 circuits>



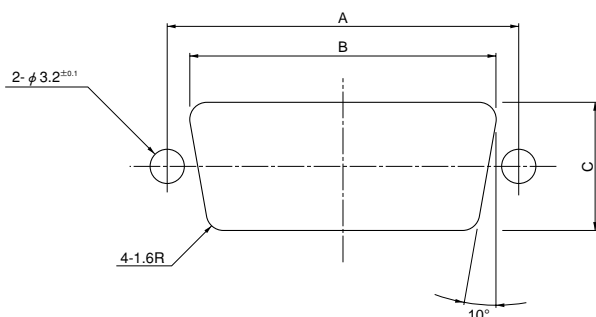
<25 circuits>



Note: 1. Tolerances are non-cumulative;  $\pm 0.05$  mm for all centers.

2. Hole dimensions differ according to the type of PC board and piercing method. The dimensions above should serve as a guideline. Contact JST for details.

## Panel layout



Circuits	A $\pm 0.15$	B $\pm 0.2$	C $\pm 0.2$
9	24.99	20.6	12.0
25	47.04	42.6	12.0

Note: The dimensions above should serve as a guideline. Contact JST for details.



# D SUBMINIATURE CONNECTOR J SERIES

## Crimp style plug and socket

### CRIMP STYLE PLUG AND SOCKET



### Features

- The contacts of this plug are formed by high-speed stamping presses into continuous strips that can be automatically fed into our compact crimping machines. Much less time is required to assemble CRT and RS-232C round cables using this plug than when soldering connections.
- The contacts in this connector are selectively gold-plated. Moreover, JST's advanced technological knowledge and

experience are fully utilized to significantly reduce production costs.

- The dimples in the connector shell provide the ground connection and are important factors in preventing electromagnetic interference. The contact has a lance that can be visually checked during assembly. This assures accurate assembly and reduces defects.

### Specifications

#### Materials

Connector	Part name	Material and Finish
Plug	Contact	Brass, gold-plated product: Nickel-undercoated, Mating part; gold-plated Crimping part; tin-plated (reflow treatment) tin-plated product: tin-plated (reflow treatment)
	Insulator	Glass-filled PBT, UL94V-0, black
	Shell	Steel, copper-undercoated, nickel-plated
Socket	Contact	Phosphor bronze, Nickel-undercoated, Mating part; gold-plated Crimping part; tin-plated (reflow treatment)
	Insulator	Glass-filled PBT, UL94V-0, black
	Shell	Steel, copper-undercoated, nickel-plated

#### Characteristics

Current rating	3 A AC, DC (2 A for 37 circuits)(AWG #20)
Voltage rating	250 V AC, DC
Temperature range	-40°C to +85°C (including temperature rise in applying electrical current)
Contact resistance	Initial value/ 15 mΩ max. After environmental tests/ 30 mΩ max.
Insulation resistance	5,000 MΩ min.
Withstanding voltage	1,000 VAC/minute

Note: Contact JST for details.

#### Model number identification

##### Contact

J - S P 2 1 40

- Series name
- Product shape: S ... Chain
- Type of contact: P ... Pin contact, S ... Socket contact
- Applicable wire: 1 ... AWG #24 to #20, 2 ... AWG #28 to #24
- Material: 1 ... Brass (Pin contact), 3 ... Phosphor bronze (Socket contact)
- Finish: 40 ... Gold-plated (flash), 42 ... 0.2 micron gold-plated, 43 ... 0.4 micron gold-plated, 44 ... 0.76 micron gold-plated, 90 ... Tin-plated (reflow treatment)

Note: Contact JST for special plating requirements.

##### Housing

J - E C - 9 P - 3

- Series name
- Shell size: E, A, B, C
- Wire connection style: C ... crimp style
- Number of circuits: 9, 15, 25, 37
- Connector type: P ... Plug, S ... Socket
- Plating specification of shell: 3 ... nickel-plated

Note: The relationship between number of circuits and shell size is shown below.

9: E, 15: A, 25: B, 37: C

### Standards

UL Recognized E60389

RoHS Certified LR20812

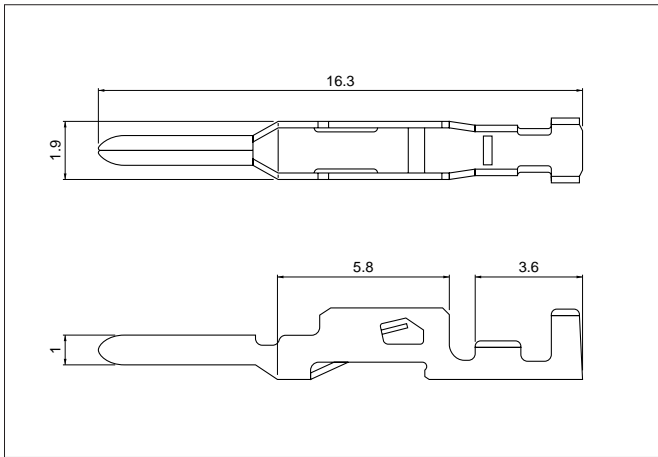
\* Refer to "General Instruction and Notice when using Terminals and Connectors" at the end of this catalog.

\* Contact JST for details.

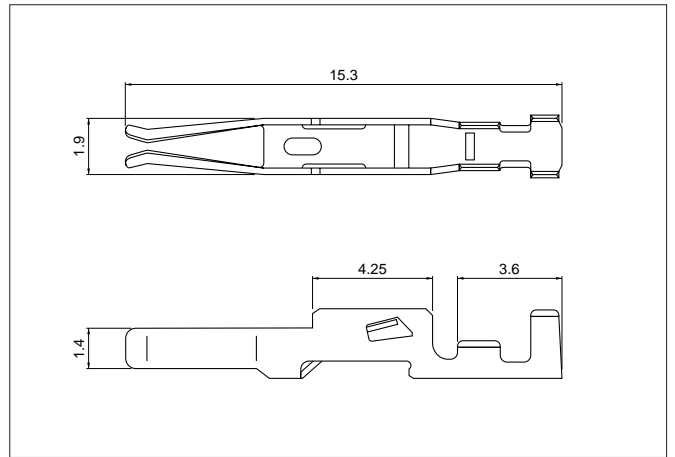
\* Compliant with RoHS.

# D SUBMINIATURE CONNECTOR J SERIES

## Pin contact (for plug housing)



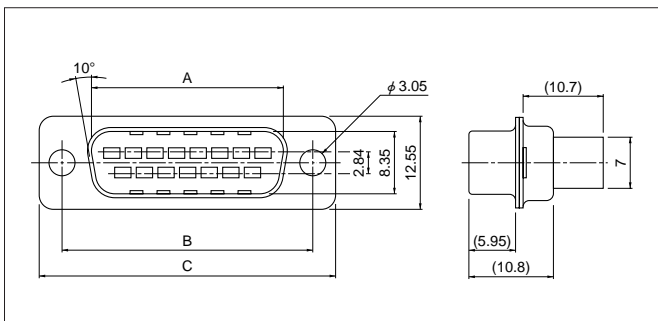
## Socket contact (for socket housing)



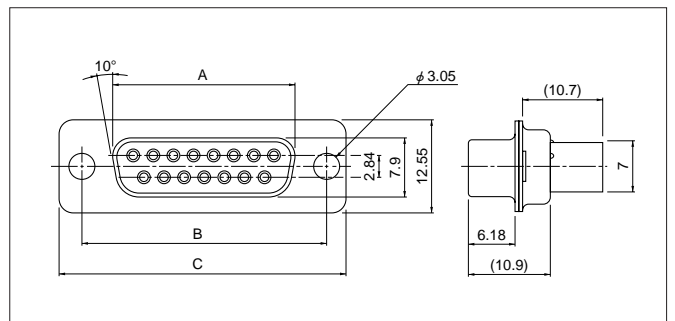
Model No.		Applicable wire		Q'ty/reel
Pin contact	Socket contact	AWG #	Insulation O.D. (mm)	
Gold-plated	Tin-plated	Gold-plated		10,000
<b>J-SP1140</b>	<b>J-SP1190</b>	<b>J-SS1340</b>	# 24~# 20	
<b>J-SP2140</b>	<b>J-SP2190</b>	<b>J-SS2340</b>	# 28~# 24	
			1.1~1.8	
			0.9~1.3	

RoHS compliance Gold-plated products display (LF)(SN) on a label.

## Plug housing



## Socket housing



Circuits	Model No.	Dimensions (mm)			Q'ty/box
		A	B	C	
9	<b>JEC-9P-3</b>	16.92	24.99	30.80	100
15	<b>JAC-15P-3</b>	25.25	33.32	39.14	100
25	<b>JBC-25P-3</b>	38.97	47.04	53.04	50
37	<b>JCC-37P-3</b>	55.43	63.50	69.32	50

RoHS compliance

Circuits	Model No.	Dimensions (mm)			Q'ty/box
		A	B	C	
9	<b>JEC-9S-3</b>	16.34	24.99	30.80	100
15	<b>JAC-15S-3</b>	24.67	33.33	39.14	100
25	<b>JBC-25S-3</b>	38.38	47.04	53.04	50

RoHS compliance

## Crimping machine, Applicator

Contact	Crimping machine	Applicator		
		Crimp applicator	Dies	Crimp applicator with dies
<b>J-SP1***</b>	AP-K2N	MKS-L	MK/J-SP/SS1	APLMK J-SP/SS1
		*MKS-SC	SC/J-SP/SS1	APLSC J-SP/SS1
<b>J-SS1***</b>		MKS-L	MK/J-SP/SS1	APLMK J-SP/SS1
		*MKS-SC	SC/J-SP/SS1	APLSC J-SP/SS1
<b>J-SP2***</b>		MKS-L	MK/J-SP/SS2	APLMK J-SP/SS2
		*MKS-SC	SC/J-SP/SS2	APLSC J-SP/SS2
<b>J-SS2***</b>		MKS-L	MK/J-SP/SS2	APLMK J-SP/SS2
		*MKS-SC	SC/J-SP/SS2	APLSC J-SP/SS2

Note: \*Strip-crimp applicator





# D SUBMINIATURE CONNECTOR J&K SERIES

Accessories/EMI prevention shielding cover ( J cover)

## J COVER



J cover



## Features

- This shielding cover is made of steel, formed by our advanced stamping technology, and nickel-plated.
  - The box-shaped cover completely encloses such EMI radiating areas as the connections between the connector and wires. The result is a superior shielding effect.
  - To install the shielding cover, simply align and press the upper and lower cover elements, then tighten the nuts. It then securely grips the round cables.
  - This cover is so compact, light and sturdy, that it can be used to cover the connectors of any input/output cable. Moreover, it is attractive in appearance.
- \* Refer to "General Instruction and Notice when using Terminals and Connectors" at the end of this catalog.  
 \* Contact JST for details.  
 \* Compliant with RoHS.

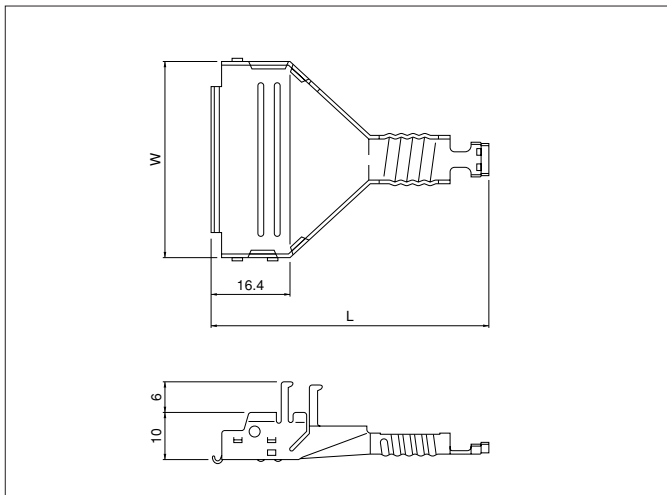
## Standards

RoHS Recognized E60389

## Applicable cable dimensions

Circuits	J series	9	15	25	37
	JK series	15	—	—	—
Cable outer diameter (mm)		7.0 ±0.2		8.0 ±0.2	10.0 ±0.2

## Shielding cover A

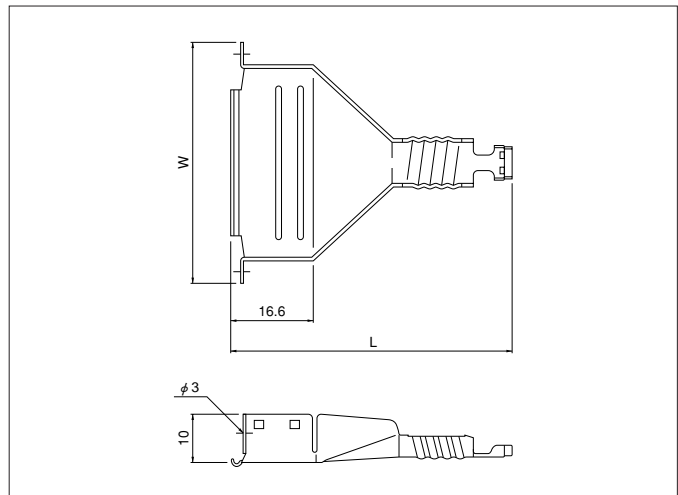


J series		JK series		Dimensions (mm)		Q'ty/box
Circuits	Model No.	Circuits	Model No.	W	L	
9	<b>J-SC9A</b>	15	<b>JK-SC15A</b>	19.4	42.0	200
15	<b>J-SC15A</b>	—	—	27.6	46.9	150
25	<b>J-SC25A</b>	—	—	41.4	57.0	100
37	<b>J-SC37A</b>	—	—	57.8	70.6	125

### Material and Finish

Steel, copper-undercoated, nickel-plated

## Shielding cover B



Circuits		Model No.	Dimensions (mm)		Q'ty/box
J series	JK series		W	L	
9	15	<b>J-SC9B</b>	30.0	(42.0)	200
15	—	<b>J-SC15B</b>	38.0	(46.9)	150
25	—	<b>J-SC25B</b>	52.0	(57.0)	150
37	—	<b>J-SC37B</b>	68.0	(70.6)	100

### Material and Finish

Steel, copper-undercoated, nickel-plated

## RoHS compliance

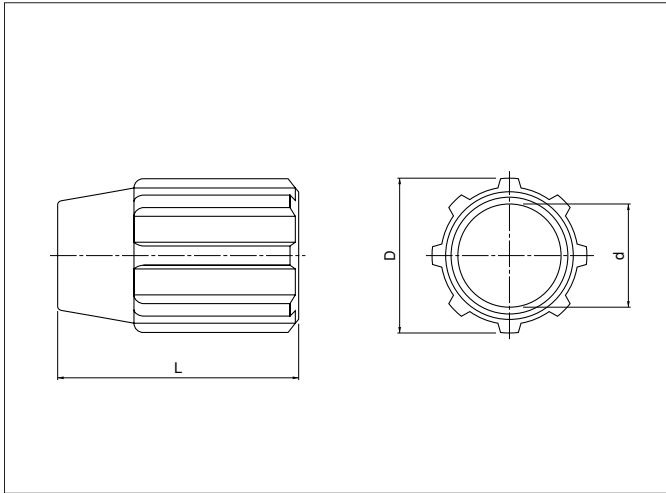
Note: The cover of the JK series 15-circuit connector is the same as that of the J series 9-circuit connector.

## RoHS compliance

Note: The cover of the JK series 15-circuit connector is the same as that of the J series 9-circuit connector, except for the number of circuits indicated.

# D SUBMINIATURE CONNECTOR J&K SERIES

## Cover nut



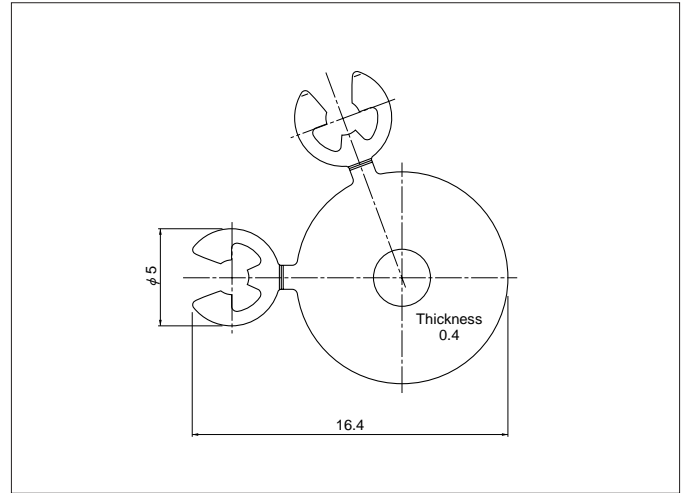
Circuits	Model No.	D	d	L	Q'ty/box
9	<b>J-CN9 · 15</b>	13.6	7.2	19.0	1,000
15					
25	<b>J-CN25</b>	16.4	8.4	25.0	1,000
37	<b>J-CN37</b>	18.8	10.4	28.0	1,500

### Material

Glass-filled, PBT, UL94V-0, black

### RoHS compliance

## E-ring



Model No.	Q'ty/box
<b>J-ER</b>	5,000

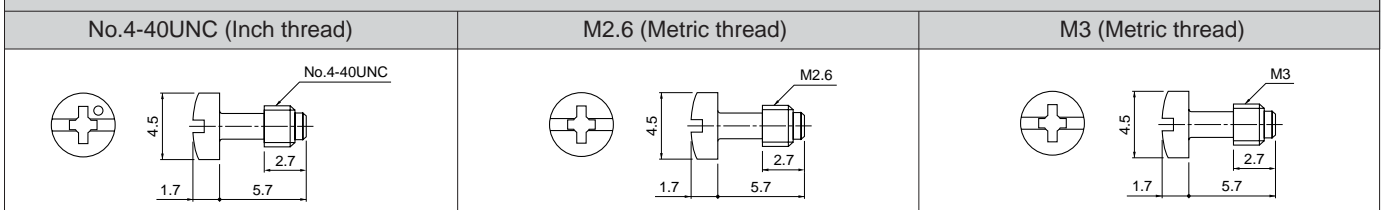
### Material

Stainless steel

### RoHS compliance

Note: The cover nuts, lock screws and E-rings are used with both the J and JK series connectors.

## Lock screw



Type of screw	Model No.	Q'ty/box
No.4-40UNC (Inch thread)	<b>J-SL-1C</b>	5,000
M2.6 (Metric thread)	<b>J-SL-2C</b>	5,000
M3 (Metric thread)	<b>J-SL-3C</b>	5,000

### Material and Finish

Steel, copper-undercoated, nickel-plated

### RoHS compliance

Use the following Model Nos. when ordering J-covers as a set.

J series		JK series		Parts in one set	Q'ty/box
Circuits	Model No.	Circuits	Model No.		
9	<b>J-C9-( )C</b>	15	<b>JK-C15-( )C</b>	Shielding cover A ..... 1 pc.	25
15	<b>J-C15-( )C</b>	—	—	Shielding cover B ..... 1 pc.	25
25	<b>J-C25-( )C</b>	—	—	Cover nut ..... 1 pc.	20
37	<b>J-C37-( )C</b>	—	—	Lock screw ..... 2 pcs.	10
				E-ring ..... 1 set	

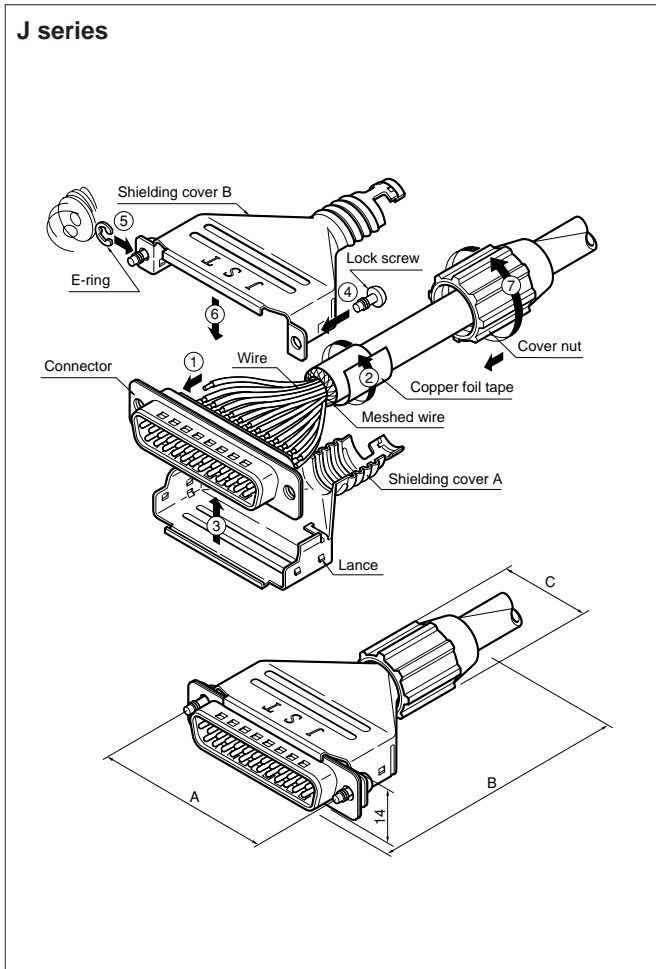
### RoHS compliance

Note: In the above lock screw model numbers, the number in parentheses indicates the type of screw-1: Inch thread (No.4-40UNC), 2: Metric thread (M2.6), 3: Metric thread (M3).

# D SUBMINIATURE CONNECTOR J&K SERIES

## J-cover assembly procedure

### J series

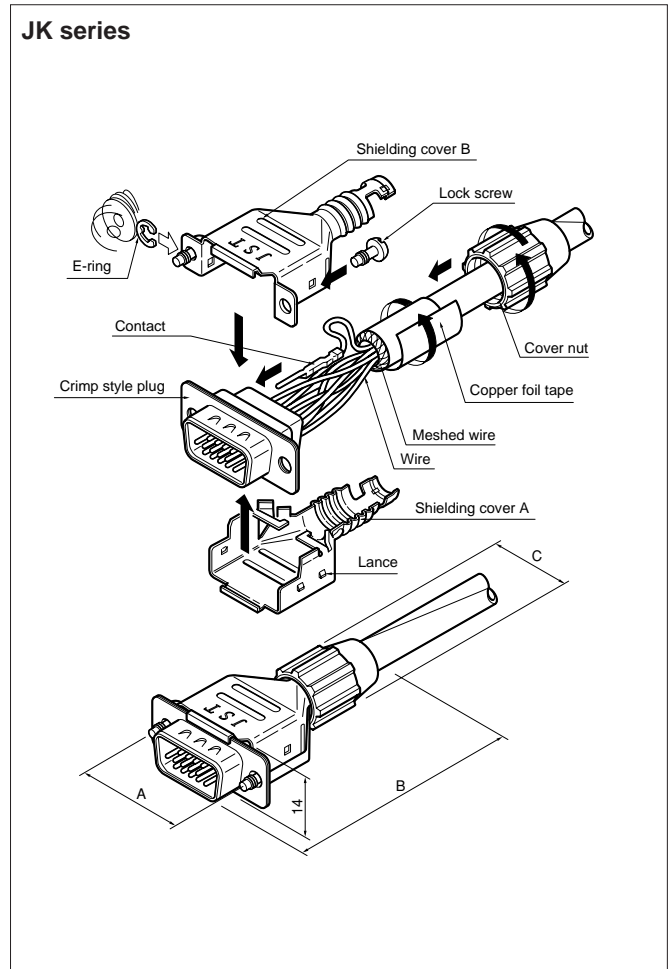


### Assembly procedure

1. Connect wires to the connector by soldering or crimping.
2. Fold back the braided shielding wire along the outside insulation and wind the copper foil tape around the shielding wire.
3. Install the connector into shielding cover A.
4. Screw the lock screws onto shielding cover B.
5. Install the E-rings.
6. Align shielding cover B with shielding cover A and press shielding cover B until it engages the lances of shielding cover A.
7. Tighten the cover nut until the predetermined position is reached.

Note: For details of the J-cover assembly procedure, please refer to the processing specifications separately available. The shielding effect of the J-cover is critically dependent on proper assembly.

### JK series



### Dimensions after assembly

Circuits		Dimensions (mm)		
J series	JK series	A	B	C
9	15	24.99	(49.0)	13.6
15	—	33.32	(53.0)	13.6
25	—	47.04	(64.5)	16.4
37	—	63.50	(78.5)	18.9



# D SUBMINIATURE J&JK SERIES

Accessories/EMI prevention overmolding cover

## MOLD COVER



## Features

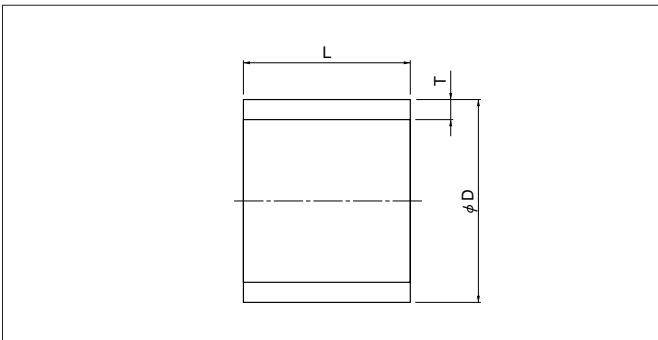
- This cover completely encloses all wire connections to the connector, and its braided wire crimp section ensures a reliable ground connection. The result is excellent shielding.
- This cover is sturdy enough to withstand the high pressure necessary during overmolding. It can thus be finish-molded directly.
- \* Refer to "General Instruction and Notice when using Terminals and Connectors" at the end of this catalog.
- \* Contact JST for details.
- \* Compliant with RoHS.

## Applicable cable diameter

Circuits		Cable O.D. (mm)
J series	JK series	
9	15	8.6 <sup>±0.2</sup>
15	—	7.6 <sup>±0.2</sup>
25	—	8.6 <sup>±0.2</sup>

Note: Contact JST for cables other than those listed above.

## Ferrule



Circuits		Ferrule	Dimensions (mm)		
J series	JK series		φ D	T	L
9 · 25	15	A	8.0	0.5	4.0
		B	11.3	0.6	8.0
15	—	A	7.0	0.5	4.0
		B	10.5	0.6	8.0

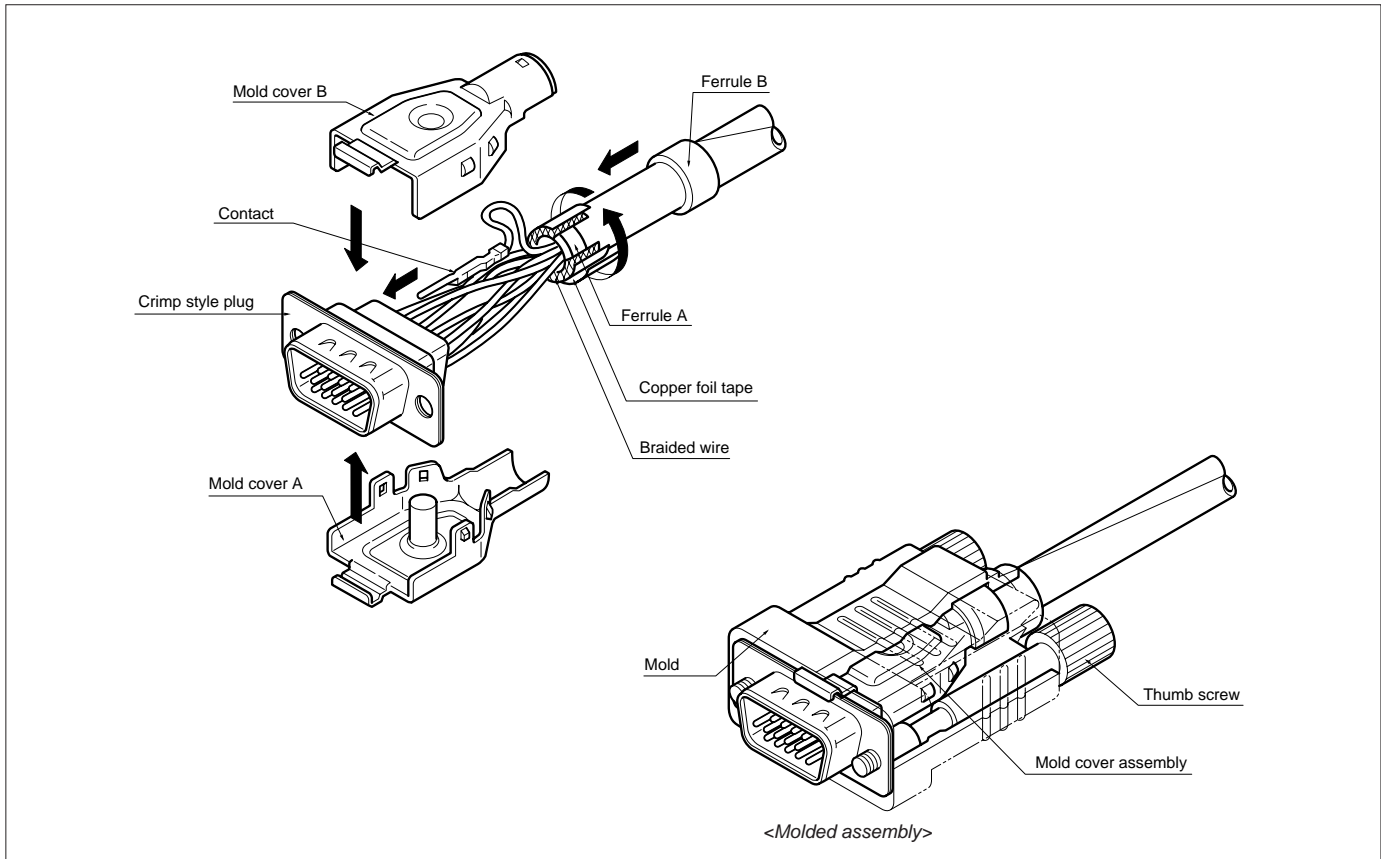
RoHS compliance

Mold cover A		Mold cover B	
<b>JK-MC15A-3</b> <b>J-MC15A</b>	<b>J-MC25A-4</b>	<b>JK-MC15B-3</b> <b>J-MC15B</b>	<b>J-MC25B-4</b>
<p>*Dimensions in ( ) are those for the J-MC15A.</p>		<p>*Dimensions in ( ) are those for the J-MC15B.</p>	

RoHS compliance

# D SUBMINIATURE CONNECTOR J&K SERIES

## Mold cover assembly procedure



Note: Customers please prepare mold and thumb screws on your own.

### Assembly procedure

#### 1. Processing braided shielding wire

Pass the cable through ferrule B and remove the insulation at the end of the cable. Install ferrule A and fold back the braided shielding wire along the outside insulation. Then wind the copper foil tape around the shielding wire.

#### 2. Connecting the wires to the contacts

Connect the wires to the contacts by crimping and insert the contacts into the housing.

#### 3. Assembling the mold covers

Align mold cover B with mold cover A and press mold cover B until it engages the lances of mold cover A. Install ferrule B over the cable holding section of the cover assembly and crimp ferrule B. This completes the assembly.

Circuits		Parts name	Model No.	Material and Finish	Q'ty/bag
J series	JK series				
9	15	Mold cover A	<b>JK-MC15A-3</b>	Steel, copper-undercoated, nickel-plated	500
		Mold cover B	<b>JK-MC15B-3</b>		
		Ferrule A	<b>JK-FL15A-8.0C</b>	Copper, tin-plated	
		Ferrule B	<b>JK-FL15B-11.3</b>		
15	—	Mold cover A	<b>J-MC15A</b>	Steel, copper-undercoated, nickel-plated	200
		Mold cover B	<b>J-MC15B</b>		
		Ferrule B	<b>J-FL15B-10.5</b>	Copper, tin-plated	
25	—	Mold cover A	<b>J-MC25A-4</b>	Steel, copper-undercoated, nickel-plated	250
		Mold cover B	<b>J-MC25B-4</b>		
		Ferrule A	<b>JK-FL15A-8.0C</b>	Copper, tin-plated	
		Ferrule B	<b>JK-FL15B-11.3</b>		

RoHS compliance

## Crimping machine, Applicator

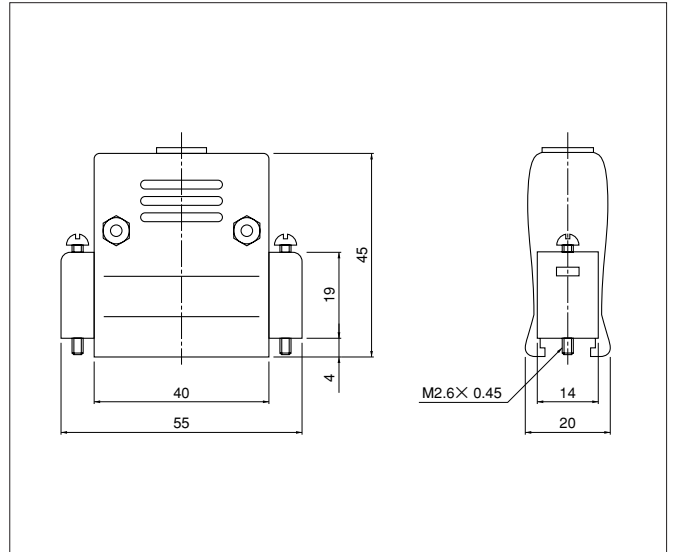
Contact	Crimping machine	Applicator		
		Crimp applicator	Dies	Crimp applicator with dies
<b>JK-FL15B-11.3</b> <b>J-FL15B-10.5</b>	AP-K2N	MKS-L-RG	MK/JK-MC15 MK/J-MC15	APLMK JK-MC15 APLSC JK-MC15



# D SUBMINIATURE J SERIES CONNECTOR

## Accessories/Covers

### JIS STYLE PLASTIC COVER (for 25-circuit J series connectors)



### Features

- Molded plastic cover.
- This cover can be used together with the hexagonal and rectangular metric lock screws specified in JIS-C-6361.
- \* Refer to "General Instruction and Notice when using Terminals and Connectors" at the end of this catalog.
- \* Contact JST for details.
- \* Compliant with RoHS.

Model No.	Parts in one set	Cover material	Q'ty/box
<b>JCB-25M</b>	Covers ..... 2 pcs. Lock screw ..... 2 pcs. Cable clamp ..... 2 pcs. Cover screws and nuts ..... 2 pcs. for each Clamp screws ..... 2 pcs.	ABS resin	10

*RoHS compliance*




# D SUBMINIATURE CONNECTOR J·JH·JK & KH SERIES

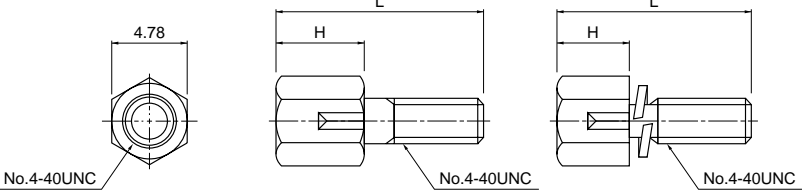
## Accessories/Lock screw block

A variety of accessories are available for the D subminiature connectors.

### LOCK SCREW BLOCK




**Hexagonal lock screw block  
(inch thread: No.4-40UNC)**



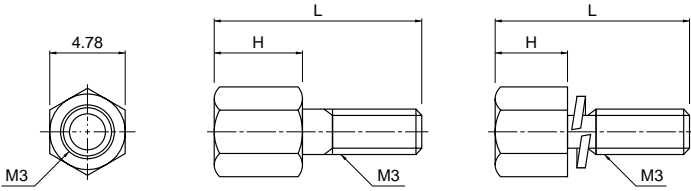
Type A                      Type B

Applicable series	J series right angle through-hole type JK series straight through-hole type	JK series right angle through-hole type	J series straight through-hole type	JH series right angle through-hole type KH series right angle through-hole type	Dimension H (mm)	Type	Attachment	Q'ty/box
Dimension L (mm)	13.1	15.0	10.0	11.8				
Model No.	<b>JFS-4S-C1N</b>	<b>KFS-4S-C1N</b>	—	—	5.5	A	Spring washer .. 1 pc. Nut ..... 1 pc.	2,000
	<b>JFS-4S-B1W</b>	<b>KFS-4S-B1W</b>	<b>SFS-4S-B1W</b>	<b>HFS-4S-B1W</b>	4.8		Spring washer .. 1 pc.	
	<b>JFS-4S-C1W</b>	<b>KFS-4S-C1W</b>	—	—	5.5	B	Hexagonal lock screw & spring washer are integrated	
	<b>JFS-4S-B1WM</b>	<b>KFS-4S-B1WM</b>	<b>SFS-4S-B1WM</b>	<b>HFS-4S-B1WM</b>	4.8			
	<b>JFS-4S-C1WM</b>	<b>KFS-4S-C1WM</b>	<b>SFS-4S-C1WM</b>	<b>HFS-4S-C1WM</b>	5.5			

RoHS compliance



**Hexagonal lock screw block  
(metric thread: M3)**

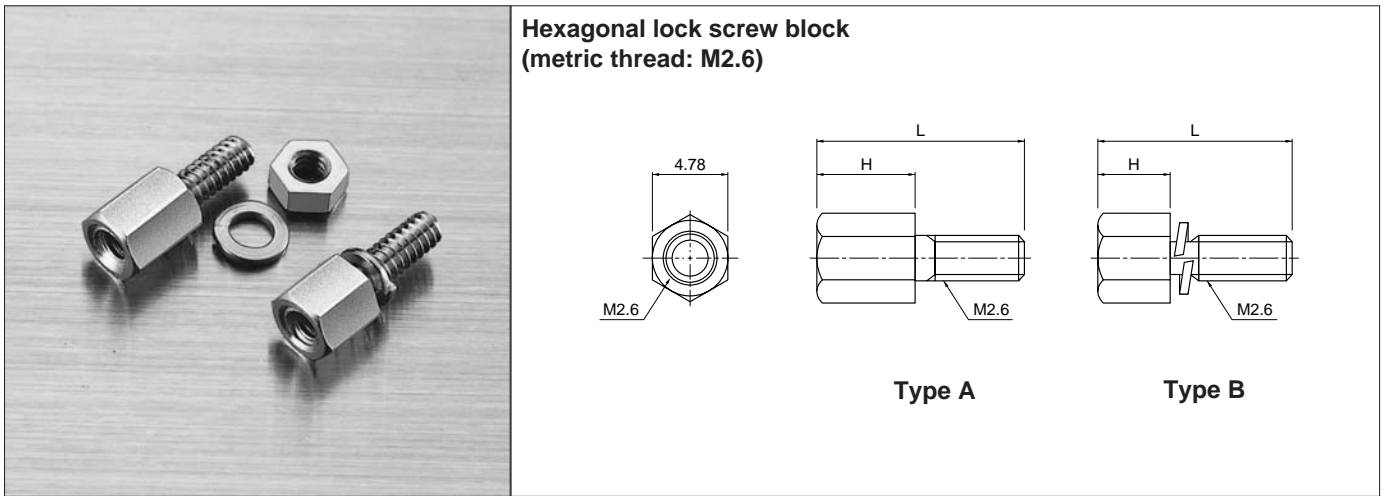


Type A                      Type B

Applicable series	J series right angle through-hole type JK series straight through-hole type	JK series right angle through-hole type	J series straight through-hole type	JH series right angle through-hole type KH series right angle through-hole type	Dimension H (mm)	Type	Attachment	Q'ty/box
Dimension L (mm)	13.1	15.0	10.0	11.8				
Model No.	<b>JFS-3S-C1N</b>	—	—	—	5.5	A	Spring washer .. 1 pc. Nut ..... 1 pc.	2,000
	<b>JFS-3S-B1W</b>	—	<b>SFS-3S-B1W</b>	—	4.8		Spring washer .. 1 pc.	
	—	<b>KFS-3S-C1W</b>	<b>SFS-3S-C1W</b>	<b>HFS-3S-C1W</b>	5.5	B	Hexagonal lock screw & spring washer are integrated	
	—	—	<b>SFS-3S-B1WM</b>	<b>HFS-3S-B1WM</b>	4.8			
	<b>JFS-3S-C1WM</b>	<b>KFS-3S-C1WM</b>	<b>SFS-3S-C1WM</b>	<b>HFS-3S-C1WM</b>	5.5			

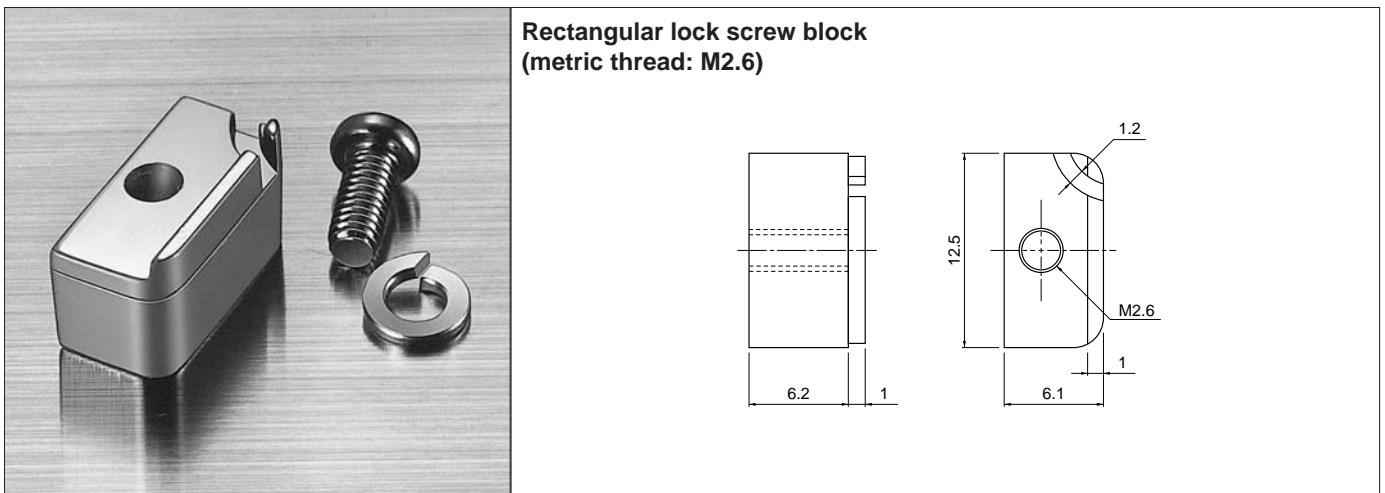
RoHS compliance

# D SUBMINIATURE CONNECTOR J·JH·JK & KH SERIES



Applicable series	J series right angle through-hole type JK series straight through-hole type	JK series right angle through-hole type	J series straight through-hole type	JH series right angle through-hole type KH series right angle through-hole type	Dimension H (mm)	Type	Attachment	Q'ty/box
Dimension L (mm)	13.1	15.0	10.0	11.8				
Model No.	JFS-2.6S-C1N	—	—	—	5.5	A	Spring washer .. 1 pc. Nut ..... 1 pc.	2,000
	JFS-2.6S-B1W	KFS-2.6S-B1W	SFS-2.6S-B1W	HFS-2.6S-B1W	4.8		Spring washer .. 1 pc.	
	—	KFS-2.6S-C1W	—	HFS-2.6S-C1W	5.5			
	JFS-2.6S-B1WM	KFS-2.6S-B1WM	SFS-2.6S-B1WM	HFS-2.6S-B1WM	4.8	B	Hexagonal lock screw & spring washer are integrated	
JFS-2.6S-C1WM	KFS-2.6S-C1WM	SFS-2.6S-C1WM	HFS-2.6S-C1WM	5.5				

RoHS compliance

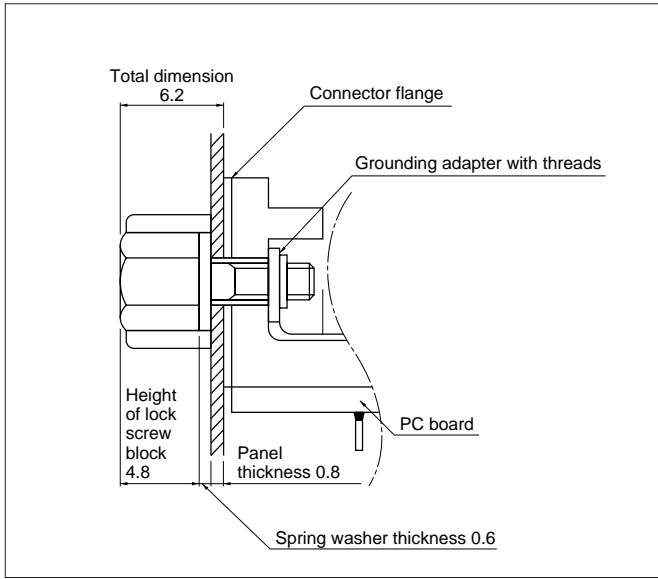


Model No.	Attachment	Q'ty/box
JFS-2.6R-N	Spring washer ..... 1 pc. Set screw ..... 1 pc.	1,000

RoHS compliance



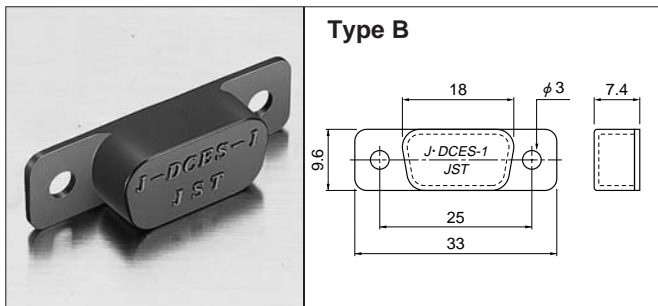
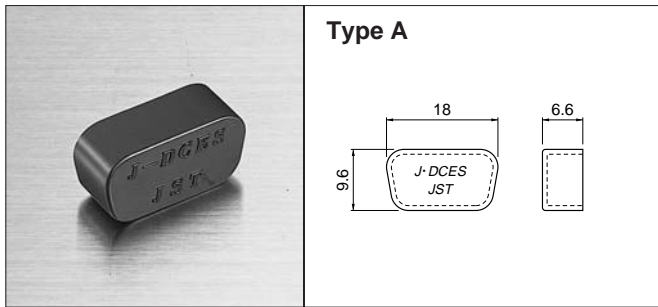
# D SUBMINIATURE CONNECTOR J·JH·JK&KH SERIES



## Application examples of hexagonal lock screw blocks

- The resulting total dimension from the connector flange to the top of the hexagonal lock screw block must be 6.2 mm after assembly.
- The D subminiature connector can be installed on the Panel by simply tightening the hexagonal lock screw block together with grounding adapter, which has an identical thread to that of the F, G, and H types.

## DUST COVER (for receptacles)



Type	Circuits		Model No.	Q'ty/box
	J series	JK series		
A	9	15	<b>J-DCES</b>	1,000
B			<b>J-DCES-1</b>	
Material				
PA, UL94V-0, black				

RoHS compliance

## EXTRACTION TOOL



With this tool, contacts (connected to wires by crimping) can be easily removed if they are improperly inserted into plug and receptacle housings.

Applicable Connector		Model No.
J series		<b>DEJ-0.3</b>
JK series	Plug	<b>KEJ-0.7</b>
	Receptacle	<b>KEJ-0.4</b>