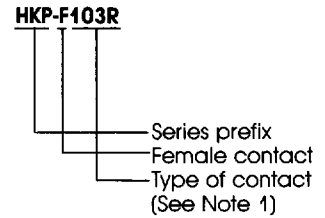
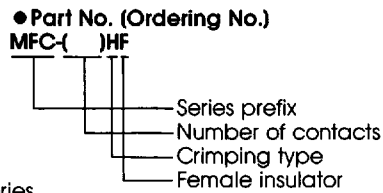
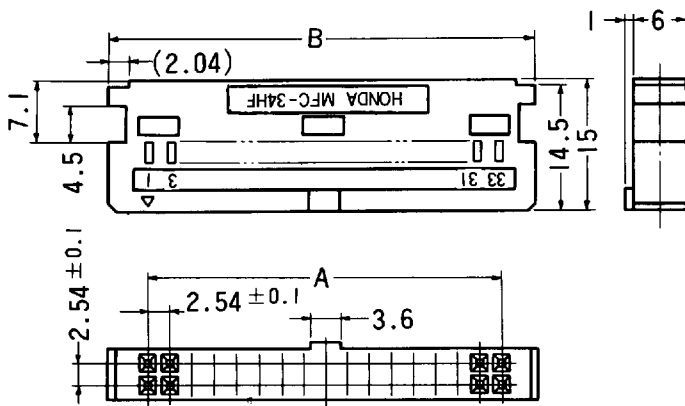


CRIMPING TYPE FEMALE CONNECTOR

Similar to the HKP series which is compatible with the MFC series (includes a lock-and-release mechanism). For the mating male connector, use 4-Wall male connector (MFC-()RPM, etc.)



MFC-()HF



Performance

Rated voltage	250 V AC (r.m.s.)
Rated current	3 A
Withstand voltage	800 V AC (r.m.s.) for one minute
Insulation resistance	1000 MΩ or more at 500 V DC
Contact resistance	15 mΩ or less

Material used

Female contact	Gold-plated phospher bronze
Female insulator	Glass-filled PBT resin UL94V-0
Case	ABS resin UL94V-0

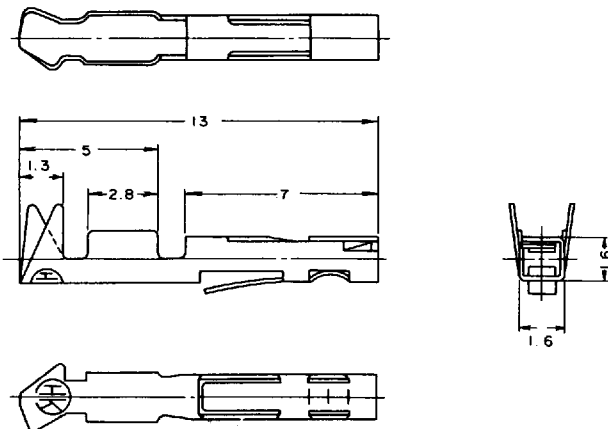
Applicable wire

Wire size (AWG)	Cross sectional area of conductor	Standard O.D. of vinyl insulator
#24	0.21mm ²	1.5mm
#26	0.13mm ²	1.3mm
#28	0.08mm ²	1.2mm

Unless otherwise specified, applicable wires should be stranded wires equivalent to #24 through #28 AWG.

Part No.	A	B
MFC-10HF	10.16	17.27
MFC-16HF	17.78	24.89
MFC-20HF	22.86	30.0
MFC-26HF	30.48	37.6
MFC-34HF	40.64	47.8
MFC-40HF	48.26	55.4
MFC-50HF	60.96	68.1

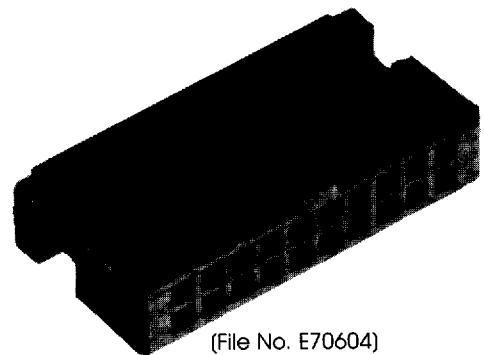
HKP-F (Note 1)



Note 1: 103R: Gold-plated, wound on a reel.

113: Gold-plated, for Hand Tool crimping a tool.

For further details on the selective gold-plated contacts, please refer to the brochure for the "HKP series".



(File No. E70604)
UL RECOGNIZED (E 70604)
(Applicable wire is #24 AWG.)