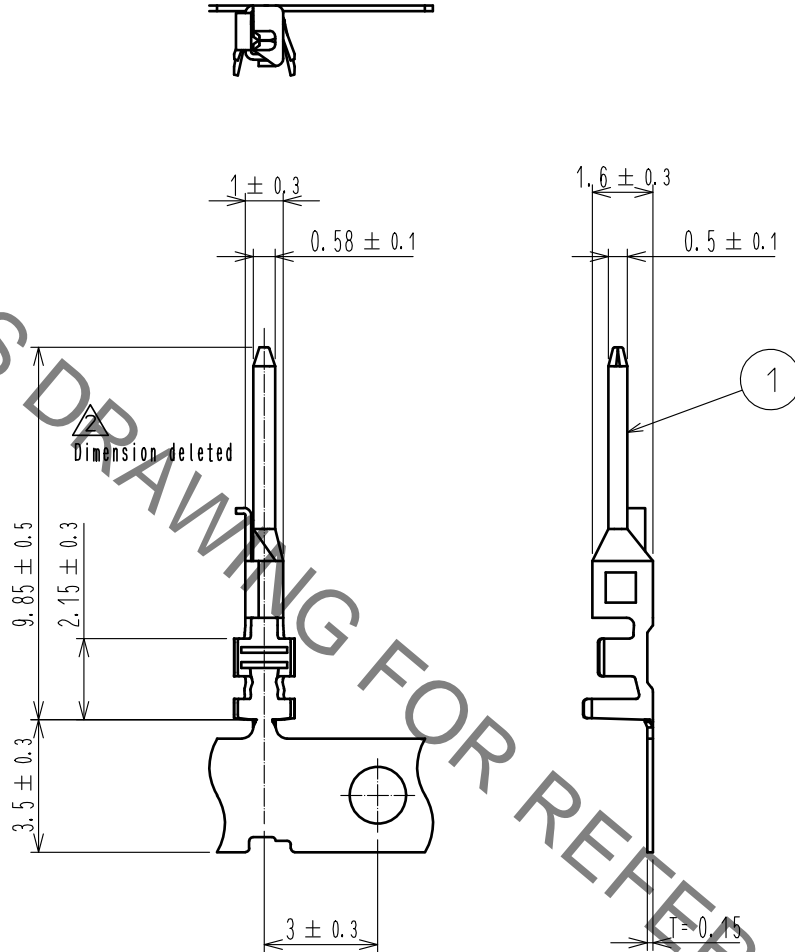


Apr.1.2019 Copyright 2019 HIROSE ELECTRIC CO., LTD. All Rights Reserved.
 In case of consideration for using Automotive equipment / device which demand high reliability, kindly contact our sales window correspondents.

ELV, RoHS COMPLIANT



HRS DRAWING FOR REFERENCE

NOTE 1. PER REEL:10000 CONTACTS.

1	BRASS	TIN PLATED						
NO.	MATERIAL	FINISH	REMARKS	NO.	MATERIAL	FINISH	REMARKS	
UNITS mm		SCALE 5 : 1	COUNT 	DESCRIPTION OF REVISIONS DIS-T-00000423		DESIGNED NK. IKUTA	CHECKED KI. HIROKAWA	DATE 15. 07. 17
HRS HIROSE ELECTRIC CO., LTD.	APPROVED	:NH. NAKATA	14. 03. 08	DRAWING NO. EDC4-169592-00				
	CHECKED	:TS. KUBOTA	14. 03. 07	PART NO. GT32-2428PCF				
	DESIGNED	:MH. SHOUJI	14. 03. 07	CODE NO. CL782-0030-0-00				
	DRAWN	:MH. SHOUJI	14. 03. 07					