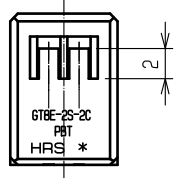
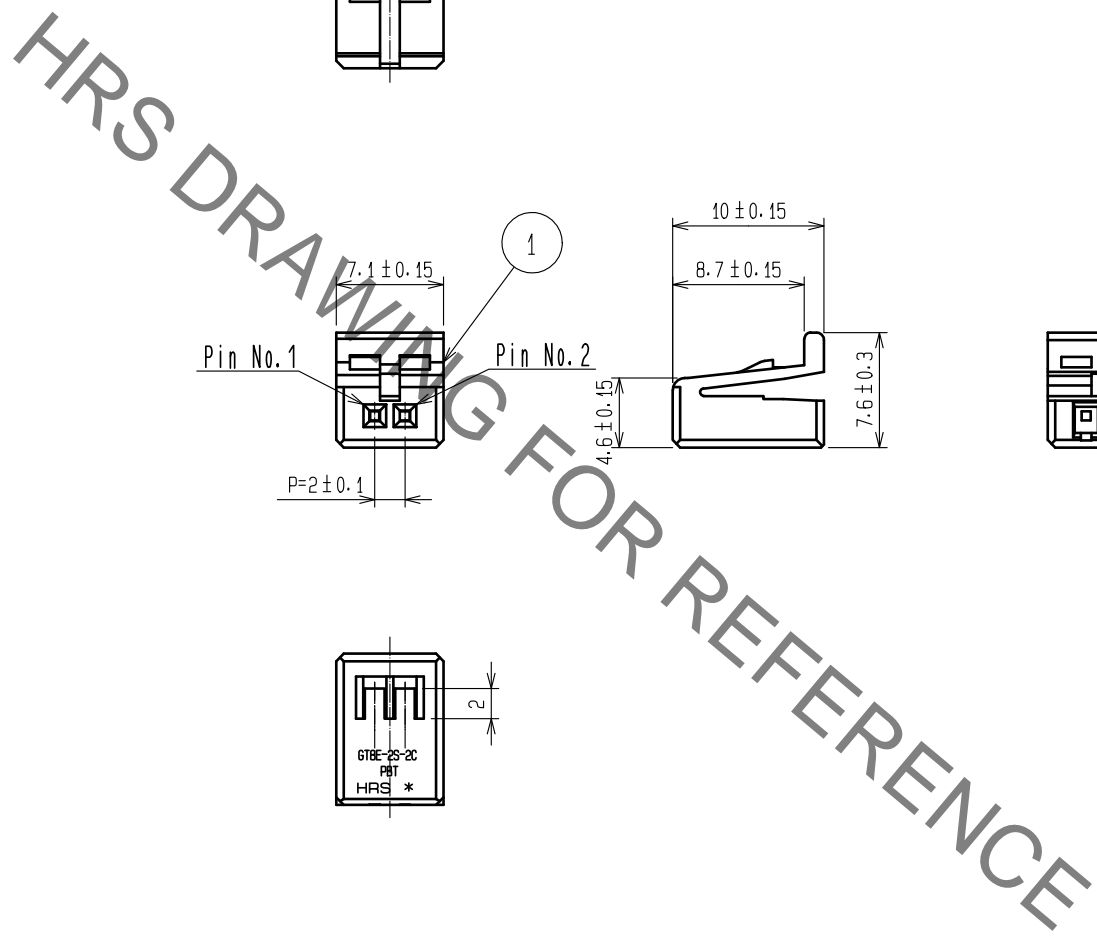


Jul.1.2019 Copyright 2019 HIROSE ELECTRIC CO., LTD. All Rights Reserved.
 In case of consideration for using Automotive equipment / device which demand high reliability, kindly contact our sales window correspondents.

ELV. RoHS COMPLIANT



NOTE 1. CONTACT : GT8E-2022SCF (CL758-0033-4)
 △ 2. MATING CONNECTOR : GT8E-2P-2H (CL758-0032-1)
 , GT8E-8/2P-2H (CL758-0031-9)

1	PBT	BLACK						
NO.	MATERIAL	FINISH	REMARKS	NO.	MATERIAL	FINISH	REMARKS	
UNITS mm		SCALE 2 : 1	COUNT △ 3 1	DESCRIPTION OF REVISIONS DIS-T-00003736		DESIGNED DONGCHAN KIM	CHECKED HS.OZAWA	DATE 18.09.14
HIROSE ELECTRIC CO., LTD.		APPROVED : KS. SATOH	06.02.22	DRAWING NO. EDC-166398-00-00				
		CHECKED : AR. SHIRAI	06.02.21	PART NO. GT8E-2S-2C				
		DESIGNED : YN. KADOTA	06.02.20	CODE NO. CL758-0030-6-00				
		DRAWN : YN. KADOTA	06.02.20	3 / 1				